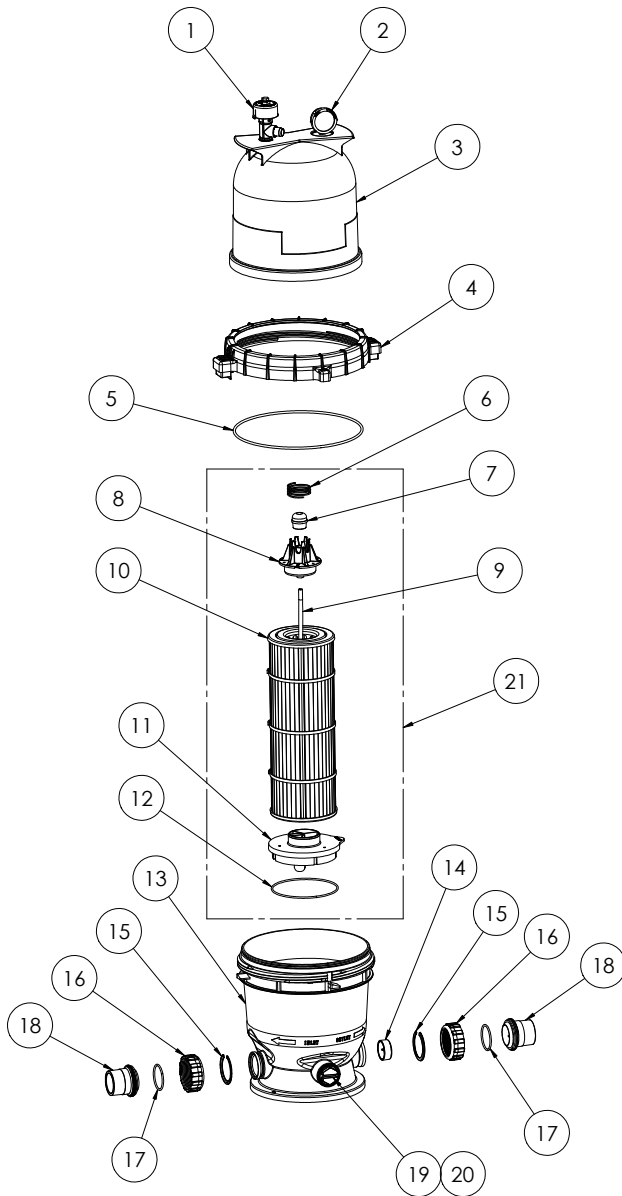


EASYCLEAN™ D.E. FILTERS

REPLACEMENT PARTS



Item	Part No.	Description
EASYCLEAN FILTER SYSTEMS		
1	98209800	High Flow Manual Air Relief Valve
2	190058	Pressure Gauge
3	178561	Lid, Almond
4	59052900	Locking Ring Assy
5	87300400	Body O-Ring
6	178616	Compression Spring
7	190106Z	Air Bleeder
8	178626	Center Core Top, EC
9	U37-3/8P	Air Bleeder Tube, EC60
9	U37-3/8P	Air Bleeder Tube, EC90
10	178757	Cartridge Element, EC60
10	178656	Cartridge Element, EC90
11	178627	Center Core Bottom, EC
12	071422	O-Ring, Center Core
13	178562	Tank Bottom, EC60
13	178563	Tank Bottom, EC90
14	51516100	Check Valve Kit
15	39104500	C-Clip (Union Nut)
16	98212200	Union Nut
17	071426	O-Ring, Union
18	79304600	Body Swivel
19	86202000	Drain Cap with O-Ring
20	51005000	O-Ring Drain Cap
21 ¹	196060	Element Retro Kit, EC60
21 ¹	196090	Element Retro Kit, EC90
NOT SHOWN		
	155151	Flex Hose Kit (6 ft.) *
	155005	Flex Hose Kit (12 ft.) *

¹ Item 21 includes items 6 through 12. Item 21 replaces the Center Core, Cartridge Element, and Air Bleeder Sock Kit on filters manufactured before 2014.

* Replacement Hose Kits include two (2) hoses, four (4) hose adapters and four (4) hose clamps.