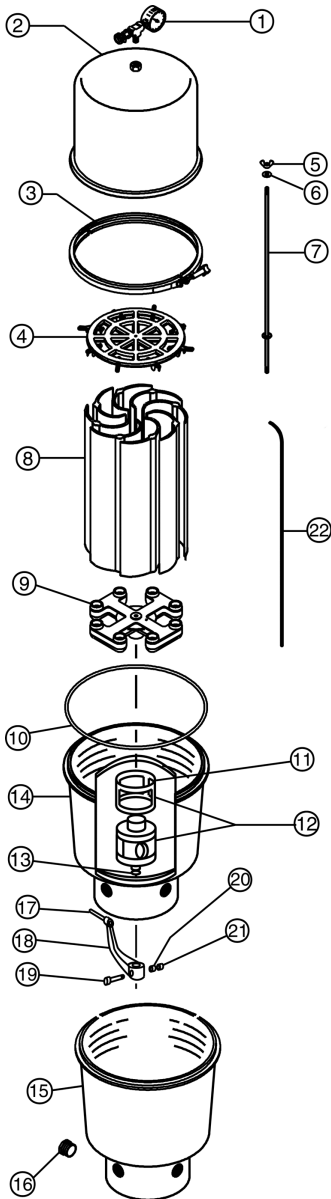


# SM & SMBW 4000 SERIES™ FILTERS

## REPLACEMENT PARTS FOR SHEET MOLDED FILTERS



Item	Part No.	Description
<b>SM &amp; SMBW 4000 SERIES FILTERS</b>		
1	073027	Complete gauge assembly includes: <sup>3</sup>
	98209800	Hi Flow Air Relief <sup>4</sup>
	190058	Gauge, 1/4 in., 60 lbs.
	071390	Nipple, plastic, 1/4 in.
2	197136	Lid SM/SMBW 4048 replacement
2	197137	Lid SM/SMBW 4060 replacement
3	197020	Clamp ring assembly
3	076033	Knob clamping band <sup>2</sup>
3	071136Z	Knob clamping band <sup>1</sup>
4	071019Z	Holding wheel 4024, 4036, 4048
4	197120	Holding wheel 4060
5	071404Z	Nut wing, 1/4 in. 20 SS
6	072173	Washer 5/16 in. i.d. x 3/4 in. o.d.
7	072870	Center rod SM/SMBW 4024 21 in.
7	072869	Center rod SM/SMBW 4036 27 in.
7	072880	Center rod SM/SMBW 4048 33 in.
7	072867	Center rod SM/SMBW 4060 39 in.
8	074922	Element 4024 12 in., 8 req.
8	074923	Element 4036 18 in., 8 req.
8	074924	Element 4048 24 in., 8 req.
8	074925	Element 4060 30 in., 8 req.
9	073270Z	Manifold 2000/4000 series 8 holes
10	071439	O-ring, 4000 series lid
11	071720	Seal BW valve rotor tapered
12	073370	Rotor valve Noryl w/ seal, includes No. 11 & 13
13	JV18	O-ring 2113
14	197130	Tank bottom, SMBW
15	197126	Tank bottom, SM
16	071559	Plug PVC 2 in., SM only
17	190026	Handle SMBW rotor SS
18	070971	Handle extension BW, brass
19	070979	Handle stud bolt SS, 1/4-20 x 1-3/4 in.
20	072172	Washer lock, 1/4 in. SS
21	071406	Nut, 1/4-20 SS hex
22	075279	Vent tube 1/4 in., 46 in. all models

Did you know that...if you order a tapered rotor seal and attempt to install it into a straight sided casting, the seal will be cut. If you install a straight seal in a tapered casting, the valve will leak. The tapered seal can be identified by a mark on each of the vertical legs signifying the top of the seal. Since the straight seals are not directional, they have no marks on the vertical legs. The tapered seal P/N is 071720. The straight seal P/N is 071719, which we no longer manufacture. Both 2000/4000 series filters with backwash now use the same Noryl rotor and the tapered seal. The product number for the rotor and seal assembly P/N is 073370. Tapered castings have a letter "T" stamped into the underside of the middle, pump port. Don't confuse this with a letter "T" in felt pen, which means the assembly has been pressure tested.

<sup>1</sup> Used on filters manufactured before 1998.

<sup>3</sup> Used on filters manufactured before 1999.

<sup>2</sup> Used on filters manufactured after 1998.

<sup>4</sup> Used on filters manufactured after 1999.