

SYSTEM:2™ MODULAR D.E. FILTERS

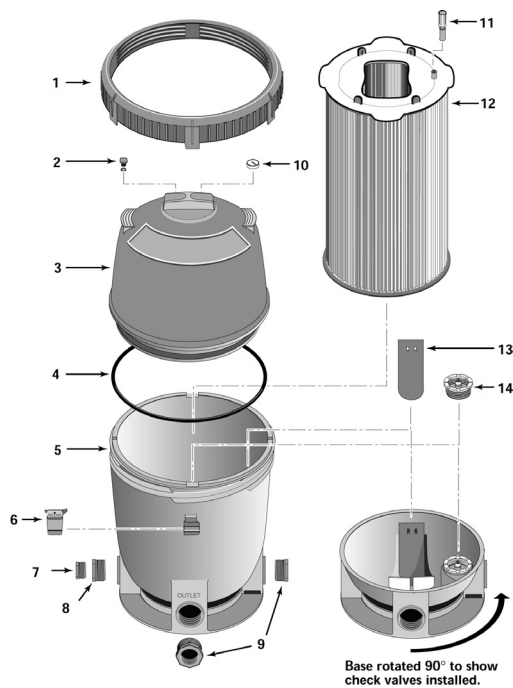
PLD SERIES REPLACEMENT PARTS



MODELS

PLD50 - DE

PLD70 - DE



Item	Part No.	Description
SYSTEM:2 MODULAR D.E. FILTERS		
1	27001-0054S	Posi-Lok® ring
2	25010-0200	Air release valve assembly
3	27001-0020S	Tank shell upper half ^{1,5}
4	27001-0061S	Cord-ring
4	27001-0060S	Cord-ring (Pre 3/97), PLD50
5	27001-0009S	Tank shell lower half w/ ring ^{4,5}
6	27001-0051	Safety latch for ring
7A	27001-0022	1-1/2 in. NPT plug w/ O-Ring
7B	24900-0509	Adapter fitting (Pre 10/03)
7B	24900-0510	Adapter fitting
9	U78-820P	2 in. x 1-1/2 in. Pipe reducer ²
10	15060-0000T	Pressure gauge ³
11	24800-0120	Air bleed assembly
12	27002-0030S	Filter module, PLD50
12	27002-0036S	Filter module, PLD70
13	27001-0011	Flapper valve
14	27001-0130S	Spring check valve ²
NOT SHOWN		
	33455-1050	Spring check valve gasket

¹ Includes all decals and labels.

² Optional Equipment.

³ Shipped in accessory package.

⁴ Includes 27001-0051 safety latch, & 27001-0054 Posi-Lok ring™ ring.

⁵ Filters made before 2005 should replace the top and bottom together.