

SYSTEM:3® SAND FILTERS

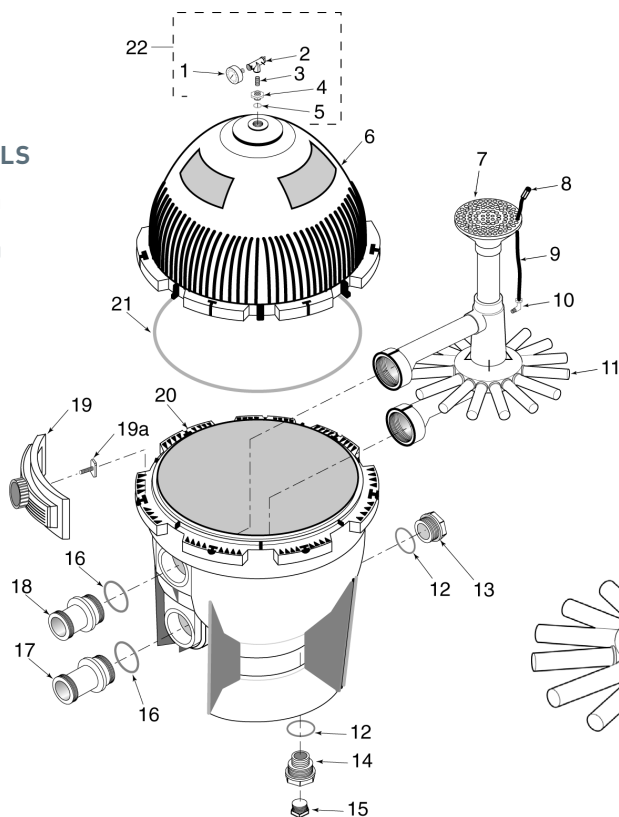
SS SERIES REPLACEMENT PARTS



MODELS

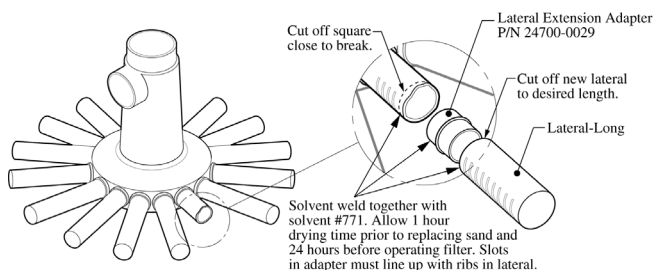
S7S50

S8S70



Lateral repair procedure.

⚠ WARNING To avoid serious personal injury or property damage, follow cement manufacturer's instructions exactly.



| Item | Part No. | Description |
|-----------------------|-------------|--|
| SYSTEM:3 SAND FILTERS | | |
| 1 | 33600-0023T | 2 in. Gauge |
| 2 | 154689 | Valve Assembly |
| • | U212-252DS | Brass Deluxe Air Bleed (optional) |
| 3 | 35202-0959 | Nipple |
| 4 | 24900-0504 | Adapter Bushing |
| 5 | 35505-1423 | O-Ring |
| 6 | 24851-9000 | Tank - Upper Half Kit ² - Model S7S50 |
| 6 | 24851-9001 | Tank - Upper Half Kit ² - Model S8S70 |
| 7 | 24900-0100S | Collector - Assembly (Includes Laterals) - Model S7S50 |
| 7 | 24901-0100S | Collector - Assembly (Includes Laterals) - Model S8S70 |
| 8 | WC8-126Z | Air Bleed Filter (Blue) |
| 9 | WC37-386P | Vent Tube |
| 10 | WC78-84P | Elbow - Male Parflex |
| 11 | 24900-0002 | Lateral - Model S7S50 (16 req.) |
| 11 | 24901-0003 | Lateral - Model S8S70 (16 req.) |
| 12 | 35505-1424 | O-Ring |
| 13 | 24900-0503 | Plug (Sand Removal) |
| 14 | 24900-0505 | Drain Fitting |
| 15 | 27001-0022 | 1-1/2 in. NPT Plug |
| 16 | 35505-1425 | O-Ring |
| 17 | 24900-0500 | Tank Fitting |

| Item | Part No. | Description |
|-----------------------|-------------|---|
| SYSTEM:3 SAND FILTERS | | |
| 18 | 24900-0501 | Tank Fitting |
| 19 | 24850-0200 | Clamp Assembly ³ |
| 19A | 24850-0010 | Clamp Bolt ³ |
| 20 | 24850-0104S | Tank - Lower Half - Model S7S50 |
| 20 | 24851-0105S | Tank - Lower Half - Model S8S70 |
| 21 | 24850-0008 | Cord Ring - Model S7S50 |
| 21 | 24850-0009 | Cord Ring - Model S8S70 |
| 22 | 24850-0105 | Valve & Gauge Assembly (Includes #1, 2, 3, 4, 5) |
| NOT SHOWN | | |
| | 24700-0029 | Lateral Extension Adapter ^{1,4} |
| | 24850-0016 | Clamp Retaining Ring ³ |
| | 25021-2021 | System:3 Sand Conversion Kit #12,13,14,15,16,17,18) - Model S7S50 - Must also buy item # 7 separately |
| | 25021-2025 | System:3 Sand Conversion Kit #12,13,14,15,16,17,18) - Model S8S70 - Must also buy item # 7 separately |

¹ Available for lateral repairs.

² Includes all decals and labels.

³ Model S7S50 uses seven clamps and bolts; Model S8S70 uses eight.

⁴ As required.

Replacement parts pricing on page 635. Product on pages 78-79.