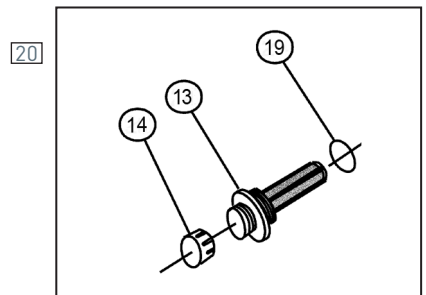
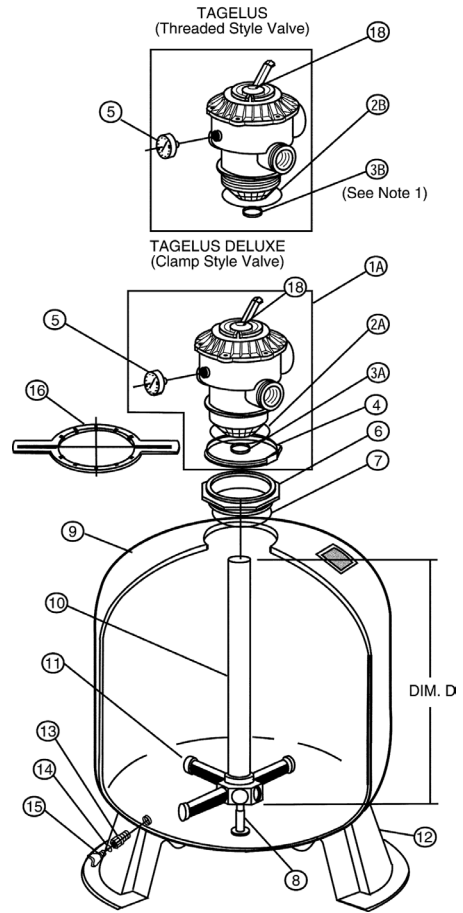


TAGELUS® FILTERS

REPLACEMENT PARTS FOR FIBERGLASS FILTERS

Item	Part No.	Description
TAGELUS FILTERS WITH THD. & CLAMP VALVES		
1A	262506	Valve, 1-1/2 in. 6-way clamp style ^{1, 4, 6, 8, 10}
1A	261185	Valve, 2 in. 6-way clamp style ^{11A, 11B}
1A	262525	Valve, 2 in. for TA60 with unions
1B	261124	Valve, 1-1/2 in. 6-way "V" thread -TA, ¹⁷
2A	272541	O-ring valve body, 3/16 in. x 4-3/4 in. i.d. ^{2, 4, 6, 8, 10}
2A	275333	O-ring valve body, 3/16 in. x 6-1/2 in. i.d. ^{11A, 11B}
2B	154493	O-ring valve body, .157 in. x 5.75 in. i.d. ^{1, 3, 5, 7, 9}
3A	355330	O-ring standup, 1/8 in. x 2-3/8 in. i.d. ^{11A, 11B}
3B	155064	O-ring standup, 1/8 in. x 1-7/8 in. i.d. ^{1, 3, 5, 7, 9, 12}
4	152165	Clamp, 6-1/2 in. dia. SS, plastic ^{2, 4, 6, 8, 10}
4	152130	Clamp, 8.35 in. dia. ^{11A, 11B}
5	190059	Gauge back mount pressure
6	154555	Adapter, 6 in. btr. thread. ^{2, 4, 6, 8, 10, 15, 18}
6	155225	Adapter, 6 in. "V" thread ^{2, 6, 8, 10, 15, 19}
6	154521	Adapter, 8-1/2 in. btr. thread ^{11A, 11B}
7	154494	O-ring valve adptr., 1/8 in. x 6-1/4 in. i.d. ^{2, 4, 6, 8, 10}
7	355619	O-ring valve adptr., 3/16 in. x 7-3/4 in. i.d. ^{11A, 11B}
8	155002	Stabilizer, center pipe
9	155276	Tank & ft. assembly w/ valve adptr. ^{6, 13, 18, 19}
9	155279	Tank & ft. assembly w/ valve adptr. ^{8, 13, 18, 19}
9	155269	Tank & ft. assembly w/ valve adptr. ^{10, 13, 18, 19}
9	155324	Tank & ft. assembly w/ valve adptr. ^{11A, 11B, 13, 18, 19}
9	155342	Tank & ft. assembly btr. thread style ^{5, 16, 17}
9	155343	Tank & ft. assembly btr. thread style ^{7, 16, 17}
9	155358	Tank & ft. assembly btr. thread style ^{9, 16, 17}
10	155060	Piping assembly, (dim. D = 12-7/8 in.) ^{1, 2}
10	153455	Piping assembly, (dim. D = 14-7/8 in.) ^{3, 4}
10	155061	Piping assembly, (dim. D = 17-3/4 in.) ^{5, 6}
10	155062	Piping assembly, (dim. D = 19-7/8 in.) ^{7, 8}
10	155063	Piping assembly, (dim. D = 22-5/8 in.) ^{9, 10}
10	155340	Piping assembly, less hub, (dim. D = 27-1/4 in.) ^{11A, 11B}
10	155323	Piping assembly, w/ hub, (dim. D = 27-1/4 in.) ^{11A, 11B}
10	155299	Piping assembly, w/ hub, w/ 1/4 turn lateral ^{10, 20}
10	152237	Piping assembly, w/ hub, TA60 2 in.



Detail A., after 12/1/91
6 in. btr. Thread.



Detail B., before 12/1/91
6 in. "V" Thread.

TAGELUS® FILTERS (CONT'D)

REPLACEMENT PARTS FOR FIBERGLASS FILTERS

Item	Part No.	Description
TAGELUS FILTERS WITH THREAD & CLAMP VALVES		
11	155007	Lateral, 5-11/32 in. long, 8 req. ^{1, 2, 3, 4}
11	152290	Lateral, 6-11/16 in. long, 8 req. ^{5, 7, 9, 6, 8, 10}
11	152202	Lateral, 9-1/8 in. long ^{11A, 11B}
11	150085	Lateral, 1/4 turn, 6 req. ^{10 20}
11	150088	Lateral, ClearPro - 6 req
12	154926	Foot tank ^{3, 5, 7, 9, 4, 6, 8, 10}
12	154596	Foot tank ^{11A, 14}
13	154698	Spigot, 3/4 in. NPT sand drain ^{2, 4, 6, 8, 10}
13	152220Z	Spigot, 2 in. NPT sand drain ^{11A} (Left-hand thread)
14	192115	O-ring drain plug, 1/16 in. x 1/2 in. i.d.
14	154871	2 in. drain cap (1-1/2 in. threads) ^{11A, 11B}
15	357161	Plug, 1/4 in. NPT drain
16	154512	Wrench, 6-1/2 in. across flats ^{2, 6, 8, 10}
16	151608	Wrench, 9 in. across flats ¹⁴
18	272599	Label top mount valve
19	274494	Sand drain O-ring TA100
20	152220Z	Drain assy for TA100/TR100/TR140
NOT SHOWN		
	154402	Tape ft. mounting, ¹⁻¹⁰
	154407	Tape ft. mounting, ^{11A, 11B}
	155051	Sand guide only ^{11A, 11B}
	150119	Union Kit 1-1/2 in. Valve
	272569	Union Kit 2 in. Valve for TA 60D 2" only

¹ TA 30

² TA 30D

³ TA 35

⁴ TA 35D

⁵ TA 40

⁶ TA 40D

⁷ TA 50

⁸ TA 50D

⁹ TA 60

¹⁰ TA 60D

^{11A}TA 100

^{11B}TA 100D

¹² Item 3A O-ring, standpipe is used on model TA100D Filters only. Item 3B O-ring, standpipe is used on Tagelus Filter models TA30, 40, 50, 60, manufactured before April, 1993. Item 3B is not used on Tagelus Clamp Filter models TA30D, 35D, 40D, 50D, 60D or on any Tagelus models manufactured after April, 1993.

¹³ Tagelus Clamp Filter models tank & ft. assembly have valve adptr., Item 6 factory installed.

¹⁴ Replacement of tank ft. requires the use of mounting tape. See part number listed.

¹⁵ Lubricate O-ring liberally w/ silicone lubricant and tighten to following spec: TA30D, 35D, 40D, 50D, 60D. Handtight plus 1/4 turn min. TA100 D Handtight plus 3/4 turn min.

¹⁶ Tagelus Filter models TA30, 35, 40, 50, 60 manufactured after Nov. 1, 1991 were manufactured w/a btr. thread top opening and utilize a btr. style valve which is black in color. A change was made to the port arrangement in April, 1993 which will require that minor changes be made to the valve plumbing connections when replacing valves on filters manufactured between Nov. 1991 and Mar. 1993. DO NOT ATTEMPT TO INTERCHANGE THREAD TYPES.

¹⁷ Tagelus Filter models TA30, 40, 50, 60 manufactured before Nov. 1, 1991 were manufactured w/a "V" thread style valve that is white or brown in color. These valves may be replaced only w/ "V" thread style valve P/N 261124, see Detail B. DO NOT ATTEMPT TO INTERCHANGE THREAD TYPES.

¹⁸ Tagelus Clamp Filter models TA30D, 35D, 40D, 50D, 60D manufactured after Nov. 1, 1991 were manufactured w/a btr. thread top opening and utilize a btr. thread valve adptr. P/N 154555, see Detail A. DO NOT ATTEMPT TO INTERCHANGE THREAD TYPES.

¹⁹ Tagelus Clamp Filter models TA30D, 40D, 50D, 60D manufactured before Nov. 1, 1991 were manufactured w/a "V" thread top opening and utilize a "V" thread valve adptr. P/N 155225, see Detail B. DO NOT ATTEMPT TO INTERCHANGE THREAD TYPES.

²⁰ TA60D Filters manufactured after June 1, 2007 have new 1/4 turn laterals.