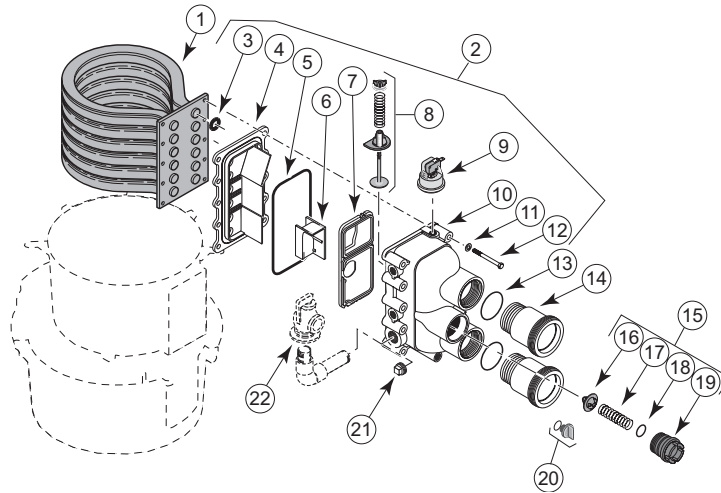


# MAX-E-THERM® HEATER

## WATER SYSTEM REPLACEMENT PARTS



Item	Part No.	Description
<b>MAX-E-THERM WATER SYSTEM</b>		
1	77707-0232	Tube Sheet Coil Assembly Kit (NA, LP Series) (Incl. No. 3) - 200 Models
1	474058	Tube Sheet Coil Assembly Kit (NA, LP Series) (Incl. No. 3) - 200 Models <sup>1</sup>
1	77707-0233	Tube Sheet Coil Assembly Kit (NA, LP Series) (Incl. No. 3) - 333 Models
1	474060	Tube Sheet Coil Assembly Kit (NA, LP Series) (Incl. No. 3) - 333 Models <sup>1</sup>
1	77707-0234	Tube Sheet Coil Assembly Kit (NA, LP Series) (Incl. No. 3) - 400 Models
1	474061	Tube Sheet Coil Assembly Kit (NA, LP Series) (Incl. No. 3) - 400 Models <sup>1</sup>
1	77707-0242	Tube Sheet Coil Assembly Kit (HD Series) (Incl. No. 3) - 200 Models
1	474062	Tube Sheet Coil Assembly Kit (HD Series) (Incl. No. 3) - 200 Models <sup>1</sup>
1	77707-0243	Tube Sheet Coil Assembly Kit (HD Series) (Incl. No. 3) - 333 Models
1	474064	Tube Sheet Coil Assembly Kit (HD Series) (Incl. No. 3) - 333 Models <sup>1</sup>
1	77707-0244	Tube Sheet Coil Assembly Kit (HD Series) (Incl. No. 3) - 400 Models
1	474065	Tube Sheet Coil Assembly Kit (HD Series) (Incl. No. 3) - 400 Models <sup>1</sup>
2	77707-0014	Manifold Kit (Incl. Nos. 3-14, 20-21, and 7-9 in "Electrical System" [Page 300]) - 200 Models
2	77707-0015	Manifold Kit (Incl. Nos. 3-14, 20-21, and 7-9 in "Electrical System" [Page 300]) - 333 Models
2	77707-0016	Manifold Kit (Incl. Nos. 3-14, 20-21, and 7-9 in "Electrical System" [Page 300]) - 400 Models
2	474200	Basic Manifold Kit (Incl. Nos. 3, 10-14)
3	77707-0117	Coil/Tubesheet Sealing O-Ring Kit - 200 Model (6)
3	77707-0118	Coil/Tubesheet Sealing O-Ring Kit - 333 Model (10)

Item	Part No.	Description
3	77707-0119	Coil/Tubesheet Sealing O-Ring Kit - 400 Model (12)
8	77707-0001	Manifold Bypass Valve Package
9	42001-0060S	Water Pressure Switch
13	U9-266	O-Ring
14	77707-0017	Connector Tube Kit (Includes 1 Connector Tube and 1 O-Ring)
15	77707-0010	Thermal Regulator Kit (Incl. Key 16-19 and Spring Clip)
16	38000-0007S	Thermal Regulator (Includes Spring Clip)
18	35505-1313	Thermal Regulator Cap O-ring (O-ring only)
20	U178-920P	Drain Plug
21	U78-60ZPS	3/4 in. Pipe Plug
22	473715Z	Kit Pressure Relief Valve
23	PKG188	2 in. Union Adapter Package (includes 2)

<b>ASME KITS</b>		
	472648Z	Bypass Access Plug (Old Header Design ASME)
	77707-0120	O-Ring Kit (Incl. Nos. 3, 5)
	474096	Heat Exchanger Kit - 400 ASME <sup>3</sup>
	474956	Heat Exchanger Kit <sup>5</sup> - 400 ASME
	460923	ASME Bypass Valve Kit <sup>4</sup> (Old Header Design)
	461007	ASME Bypass Valve Tool Kit <sup>4</sup> (Old Header Design)
	460924	Thermal Regulator Kit (incl. spring clip & install tools) (ASME) (Old Heater Design) <sup>4</sup>
	460941	Heat Exchanger Kit - 250 ASME <sup>2</sup>
	474097	Heat Exchanger Kit - 250 ASME <sup>3</sup>

<sup>1</sup> For Heaters Manufactured after 1/12/09

<sup>3</sup> For ASME Heaters Manufactured After 3/24/09 (Tub Design w/Clamp Ring).

<sup>4</sup> For ASME Heaters Manufactured Prior to 10/2012 (Old Header Design).

<sup>5</sup> For ASME Heaters Manufactured After 11/16/13 (New 9-Bolt Tub Design).

Note: Kits include Clamp, O-rings, Insulation, Igniter and Blower Gaskets.