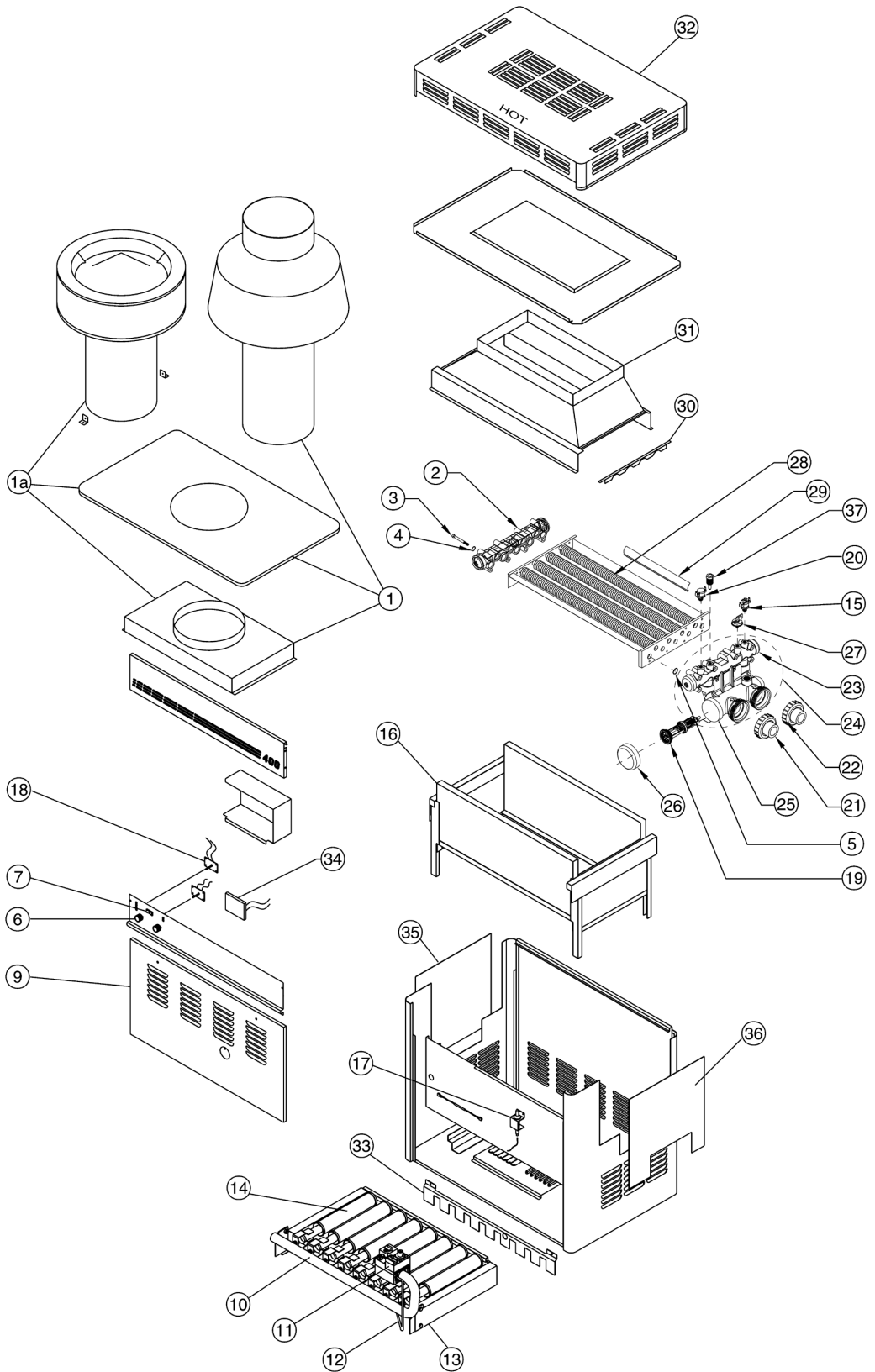


MINIMAX[®] CH HEATER

REPLACEMENT PARTS



MINIMAX® CH HEATER (CONT'D)

REPLACEMENT PARTS

Item	Part No.	Mod.	Description	Qty.
30	472329		Baffle hold down, [2 baffles on 400] ¹	1
31	073864	150	Flue collector	1
31	075622	200	Flue collector	1
31	073863	250	Flue collector	1
31	075623	300	Flue collector	1
31	075624	350	Flue collector	1
31	073862	400	Flue collector	1
32	470471	150	Outdoor top assembly	1
32	470472	200	Outdoor top assembly	1
32	470473	250	Outdoor top assembly	1
32	470474	300	Outdoor top assembly	1
32	470475	350	Outdoor top assembly	1
32	470476	400	Outdoor top assembly	1
LIGHTBACK SHIELD				
33	075783	150	Propane gas units only	1
33	075784	200	Propane gas units only	1
33	075785	250	Propane gas units only	1
33	075786	300	Propane gas units only	1
33	075787	350	Propane gas units only	1
33	075788	400	Propane gas units only	1
34	471677		Electronic thermostat kit, millivolt models ¹	1
35	073789		Panel, return ¹	1
36	472127		Panel, in/out ¹	1
37	472101		Thermistor, probe, complete millivolt models ¹	1
NOT SHOWN				
	070715		Plastic mounting bracket ¹	
	471277		Clips for wire harness ¹	
	075511		Wire kit, millivolt ¹	
	071703		Screw, 8 x 1/4 in. HH ¹	
	071698		Screw, 8 x 1/2 in. HH ¹	
	071716		Screw, 6 x 1/4 in. ¹	
	071659		Screw, 10-32 x 1/4 in. ¹	
	075692		Screw, 10-32 x 3/16 in. ¹	
	070551		Bushing 1/2 in. ¹	
	470414		Therm knob stopper ¹	2

Item	Part No.	Mod.	Description	Qty.
	073725		Bolt, 5/16 in.-18 x 3/4 in. ¹	2
	See pg. 458		Orifice main burner, natural ^{1,5}	
	See pg. 458		Orifice main burner, propane ^{1,5}	
	471292		Pilot, natural, millivolt ¹	1
	471291		Pilot, propane, millivolt ¹	1
	071515		Pilot, generator ¹	1
	075173		Thermal cutoff, fusible link ¹	1
	472330		Power element, flow-valve ¹	1
	471293		Pilot rainshield ¹	1
	471328		Pilot electrode (only) ¹	1
	074540		"L" brackets ¹	3
	471271		Bracket adapter Q379 pilot MV ¹	
	072253		Jumper ¹	
	471612		Door latch ¹	1
	075461		Electrode Assembly	

¹ Part No. used in Model Nos., 150, 200, 250, 300, 350, 400.

² Part No. used in Model Nos., 150, 200.

³ Part No. used in Model Nos., 250, 300.

⁴ Part No. used in Model Nos., 350, 400.

⁵ Qty. = Model N or P 150 (3 ea.), 200 (4 ea.), 250 (5 ea.), 300 (6 ea.), 350 (7 ea.), 400 (8 ea.). For complete orifice requirements, see pages 450.

⁶ Qty. = Model 150 (2 ea.), 200 (3 ea.), 250 (4 ea.), 300 (5 ea.), 350 (6 ea.), 400 (7 ea.).

MINIMAX® CH HEATER (CONT'D)

REPLACEMENT PARTS

Item	Part No.	Mod.	Description	Qty.
VENT KIT ASSEMBLY				
1	460227	150	Indoor	1
1	460228	200	Indoor	1
1	460230	250	Indoor	1
1	460231	300	Indoor	1
1	460233	350	Indoor	1
1	460234	400	Indoor	1
1a	460237	150	Outdoor	1
1a	460222	200	Outdoor	1
1a	460223	250	Outdoor	1
1a	460224	300	Outdoor	1
1a	460225	350	Outdoor	1
1a	460226	400	Outdoor	1
2	471991		Return header assembly ¹	1
3	471622		Bolt, heat exchanger ¹	16
4	072184		Washer 3/8 in. ID 7/8 in. OD ¹	16
5	070951		Tube seal gasket ¹	18
6	470184		Thermostat knob ¹	2
7	470186		Switch, rocker (single pole and double throw) ¹	1
CONTROL PANEL ASSEMBLY, COMPLETE				
9	075468	150	door, millivolt	1
9	075604	200	door, millivolt	1
9	075488	250	door, millivolt	1
9	075605	300	door, millivolt	1
9	075606	350	door, millivolt	1
9	075490	400	door, millivolt	1
10	070256	150	Manifold burner	1
10	075525	200	Manifold burner	1
10	070257	250	Manifold burner	1
10	075526	300	Manifold burner	1
10	075527	350	Manifold burner	1
10	070258	400	Manifold burner	1
11	075457		Gas valve natural, millivolt ¹	1
11	075458		Gas valve propane, millivolt ¹	1
12	076084		Pilot tube, millivolt ²	
12	076085		Pilot tube, millivolt ³	
12	076086		Pilot tube, millivolt ⁴	
BURNER TRAY ASSEMBLY, COMPLETE				
13	075493	150	natural, millivolt	1
13	075496	200	natural, millivolt	1
13	075494	250	natural, millivolt	1
13	075497	300	natural, millivolt	1
13	075498	350	natural, millivolt	1
13	075495	400	natural, millivolt	1
13	075502	150	Propane, millivolt	1
13	075505	200	Propane, millivolt	1
13	075503	250	Propane, millivolt	1
13	075506	300	Propane, millivolt	1

Item	Part No.	Mod.	Description	Qty.
13	075507	350	Propane, millivolt	1
13	075504	400	Propane, millivolt	1
14	070230		Burner ^{1,6}	
14a	470550		Burner with pilot bracket (not shown) ¹	1
15	473605		Pressure switch ¹	1
COMBUSTION CHAMBER ASSEMBLY, COMPLETE				
16	073858	150	Assembly	1
16	075586	200	Assembly	1
16	073857	250	Assembly	1
16	075587	300	Assembly	1
16	075588	350	Assembly	1
16	073856	400	Assembly	1
17	075459		Presslite igniter assembly ¹	1
18	471678		Potentiometer ¹	2
19	471750		Flow valve assembly ¹	1
20	471587		Hi-limit thermostat 115° ¹	1
21	471441		Adaptor, bulkhead, 2 in. ¹	2
22	274440		Adaptor, bulkhead ring ¹	2
23	471993		Main manifold assembly ¹	1
24	471992		Main header assembly ¹	1
25	471419		Main manifold bottom ¹	1
26	471420		Cap, main manifold bottom ¹	1
27	471694		Hi-limit thermostat 150° ¹	1
HEAT EXCHANGER				
28	472131	150	Without heads	1
28	472169	150	With heads	1
28	472132	200	Without heads	1
28	472168	200	With heads	1
28	472167	250	With heads	8
28	472133	250	Without heads	1
28	472134	300	Without heads	1
28	472166	300	With heads	
28	472135	350	Without heads	1
28	472165	350	With heads	
28	472136	400	Without heads	1
28	472164	400	With heads	
29	070277	150	Baffle	1
29	075559	200	Baffle	8
29	070276	250	Baffle	8
29	075560	300	Baffle	8
29	070277	350	Baffle	16
29	070278	400	Baffle	16