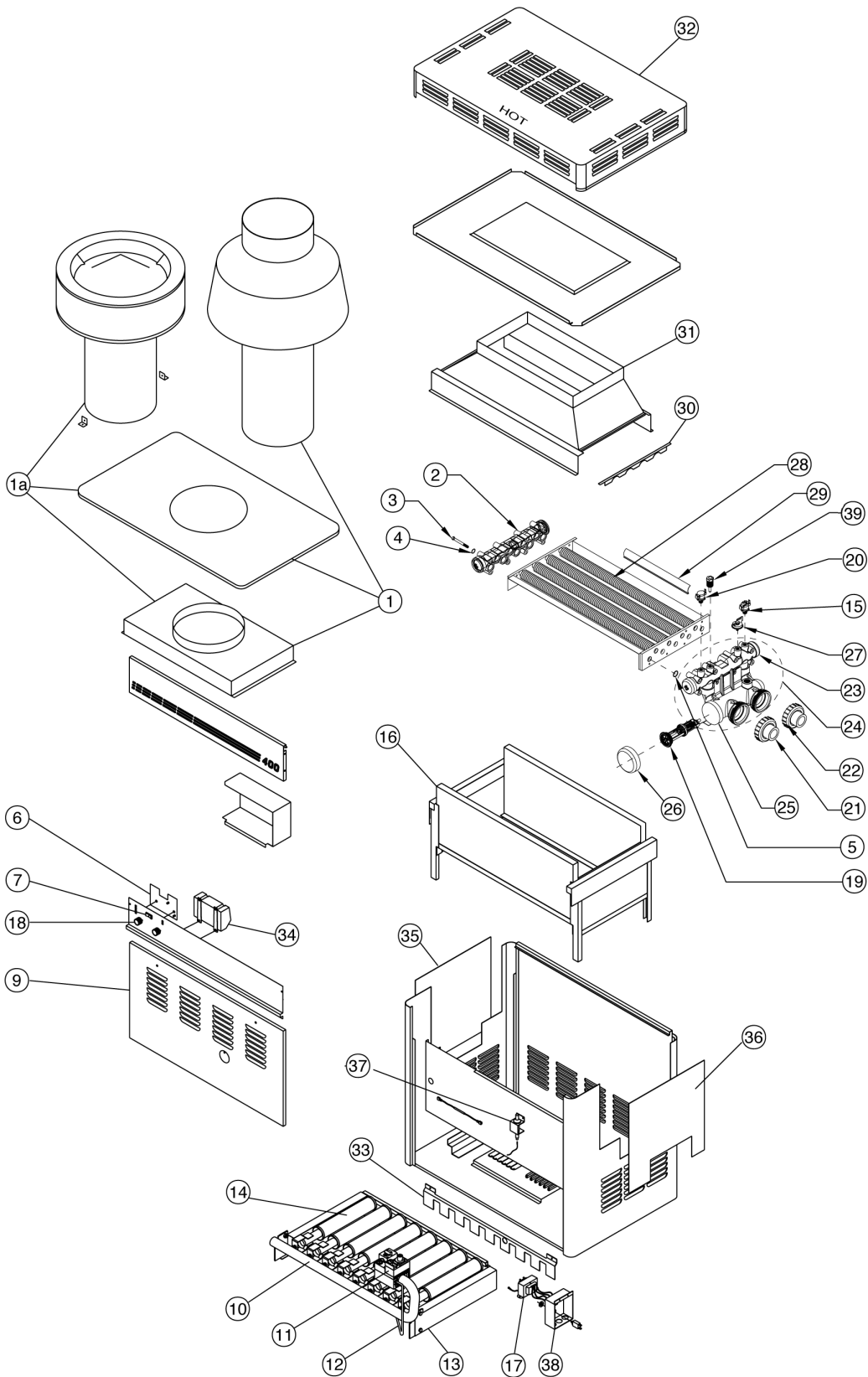


# MINIMAX<sup>®</sup> CH HEATER, 150 IID MODEL

## REPLACEMENT PARTS



# MINIMAX® CH HEATER, 150 IID MODEL (CONT'D)

## REPLACEMENT PARTS

Item	Part No.	Description	Qty.
MINIMAX® CH, 150 IID			
1	460227	Vent kit assembly, indoor	1
1a	460237	Vent kit assembly, outdoor	1
2	471991	Return header assembly	1
3	471622	Bolt, heat exchanger	16
4	072184	Washer 3/8 in. ID 7/8 in. OD	16
5	070951	Tube seal gasket	18
6	470179	Electronic thermostat circuit board, IID Model	1
7	470186	Switch rocker, single pole & double throw	1
9	075468	Door, millivolt or IID	1
10	070256	Manifold burner	1
11	073998	Gas valve natural, IID	1
11	073999	Gas valve propane, IID	1
12	075191	Pilot tube, IID	1
13	073752	Burner tray assembly, natural, complete, IID	1
13	073906	Burner tray assembly, propane, complete, IID	1
14	070230	Burner	2
14a	470550	Burner with pilot bracket, not shown	1
15	473605	Pressure switch	1
16	073858	Combustion chamber assembly, complete	1
17	471360	Transformer, w/ circuit breaker, dual voltage	1
18	470184	Thermostat knob	2
19	471750	Flow valve assembly	1
20	471587	Hi-limit thermostat 115°	1
21	471441	Adaptor, bulkhead, 2 in.	2
22	274440	Adaptor, bulkhead ring	2
23	471993	Main manifold assembly	1
24	471992	Main header assembly	1
25	471419	Main manifold bottom	1
26	471420	Cap, main manifold bottom	1
27	471694	Hi-limit thermostat 150°	1
28	472131	Heat exchanger, without heads	1
28	472169	Heat exchanger, with heads	1
29	070277	Baffle	8

Item	Part No.	Description	Qty.
30	472329	Baffle hold down, (2 baffles on 400)	1
31	073864	Flue collector	1
32	470471	Outdoor top assembly	1
33	075783	Lightback shield (propane gas units only)	1
34	073584	Module natural gas	1
	073585	Module propane gas	1
35	073789	Panel, return	1
36	472127	Panel, in/out	1
37	075459	Ignitor milivolt MMX	1
38	470122	Junction box	1
39	472101	Thermistor Probe MMX CH	1
NOT SHOWN			
	070715	Plastic mounting bracket	
	471277	Clips for wire harness	
	075511	Wire kit, millivolt	
	071703	Screw, 8 x 1/4 in. HH	
	071698	Screw 8 x 1/2 in. HH	
	071716	Screw, 6 x 1/4 in.	
	071659	Screw, 10-32 x 1/4 in.	
	075692	Screw, 10-32 x 3/16 in.	
	070551	Bushing, 1/2 in.	
	470414	Therm knob stopper	2
	073725	Bolt 5/16 in., 18 x 3/4 in.	2
	See pg. 458	Orifice main burner, natural	3
	See pg. 458	Orifice main burner, propane	3
	471292	Pilot, natural, millivolt	1
	471291	Pilot, propane, millivolt	1
	071515	Pilot, generator	1
	075173	Thermal cutoff, fusible link	1
	472330	Power element, flow-valve	1
	471293	Pilot rainshield	1
	471328	Pilot electrode, only	1
	074540	"L" brackets	3
	471271	Bracket adapter Q379 pilot, MV	
	072253	Jumper	
	471612	Door latch	1