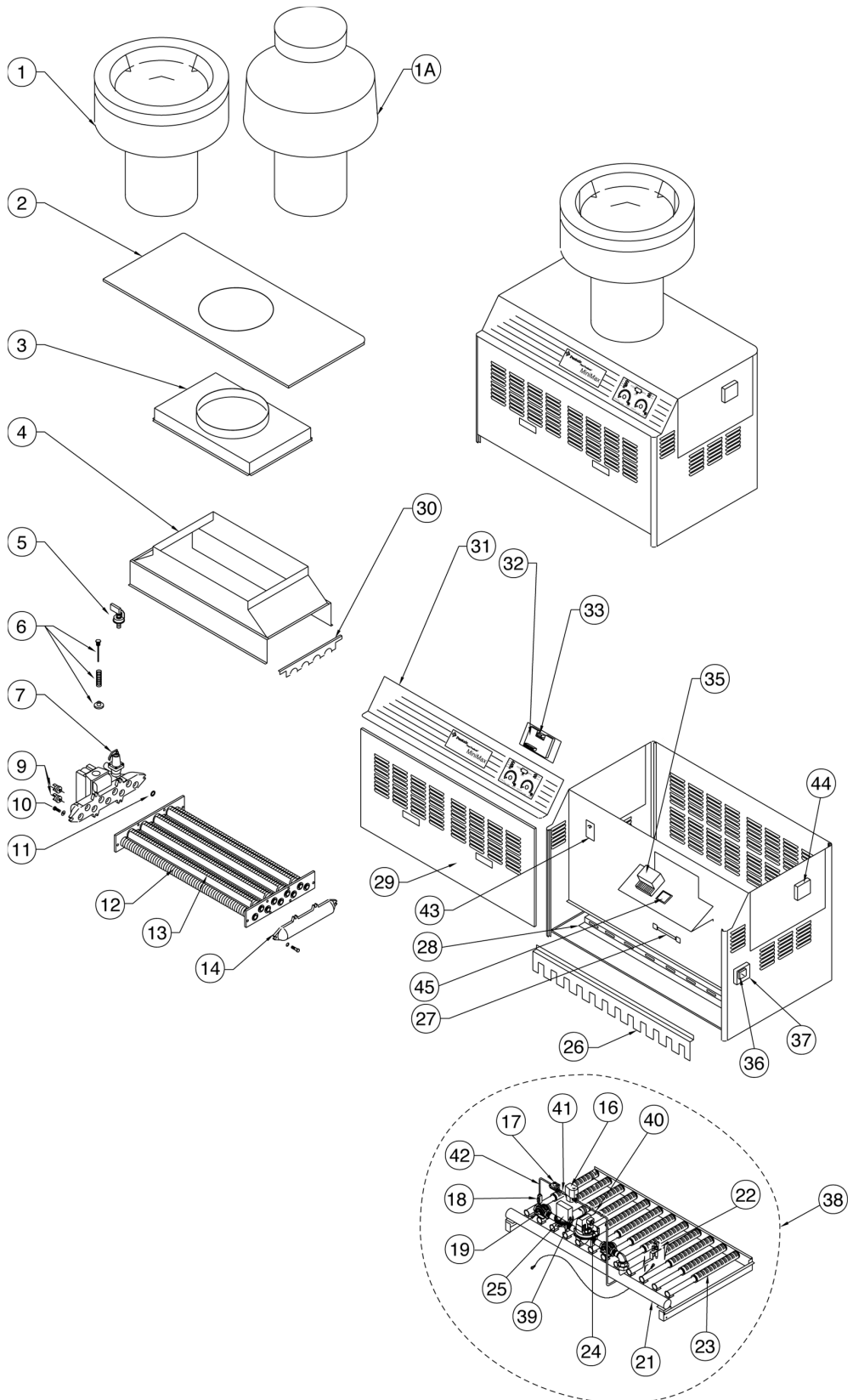


MINIMAX[®] COMMERCIAL HEATER, W/ CSD-1 CONTROLS

REPLACEMENT PARTS



MINIMAX® COMMERCIAL HEATER, W/ CSD-1 CONTROLS (CONT'D)

REPLACEMENT PARTS

Item	Description	Part No.
MINIMAX COMMERCIAL HEATER WITH CSD-1 CONTROLS		
1	Outdoor vent cap kit (Model 525) ¹	460226
1	Outdoor vent cap kit (Model 750) ¹	460318
1	Outdoor vent cap kit (Model 900) ¹	460319
1A	Indoor draft hood kit (Model 750) ¹	460320
1A	Indoor draft hood kit (Model 525) ¹	460321
5	Pressure switch	470190
6	Flow valve assembly (Model 525)	470747
6	Flow valve assembly (Model 750)	471114
6	Flow valve assembly (Model 900)	471115
7	Pressure relief valve	470768
	Hi-Limit switch	071017
10	Bolts	470742
11	Rubber Seal	470735
12	Heat exchange assembly (Model 525)	470736
12	Heat exchange assembly (Model 750)	470737
12	Heat exchange assembly (Model 900)	470645
13	Baffle (Model 525)	470646
13	Baffle (Model 750)	470646
13	Baffle (Model 900)	470647
14	Return header	470745
16	Pilot valve	470770
17	Pilot regulator natural	470771
18	Pilot manual valve	470772
19	Main shut-off valve	470773
21	Manifold (Model 750)	470653
22	Pilot Q3451B1178 natural	471204
22	Pilot Q3451B1236 propane	471205
23	Burner, qty. 7	471537

Item	Description	Part No.
23a	Burner w/ pilot bracket	471545
24	Gas valve diaphragm natural	470687
25	Gas valve solenoid	470688
26	Retainer shield (Model 525)	470792
26	Retainer shield (Model 900)	470794
27	Thermal cut-off	075173
30	Baffle hold down	470799
31	Control panel (Model 525)	470753
31	Control panel (Model 750)	470754
31	Control panel (Model 900)	470755
32	Thermostat board	470179
33	Rocker switch	470186
35	Module IID S8600F natural/propane	472339
36	Transformer	471571
37	J-box	471426
38	Burner tray assembly natural (Model 525)	470648
38	Burner tray assembly natural (Model 750)	470649
38	Burner tray assembly natural (Model 900)	470650
38	Burner tray assembly propane (Model 750)	470669
43	High limit control	472334
44	Low water cut-off	472337
45	Lock-out control	472338

¹ Choice of one vent kit, item No. 1 or No. 1A, provided at no charge with initial commercial heater purchase.

* Hi-tension wire is now part of pilot assembly, item No. 22.