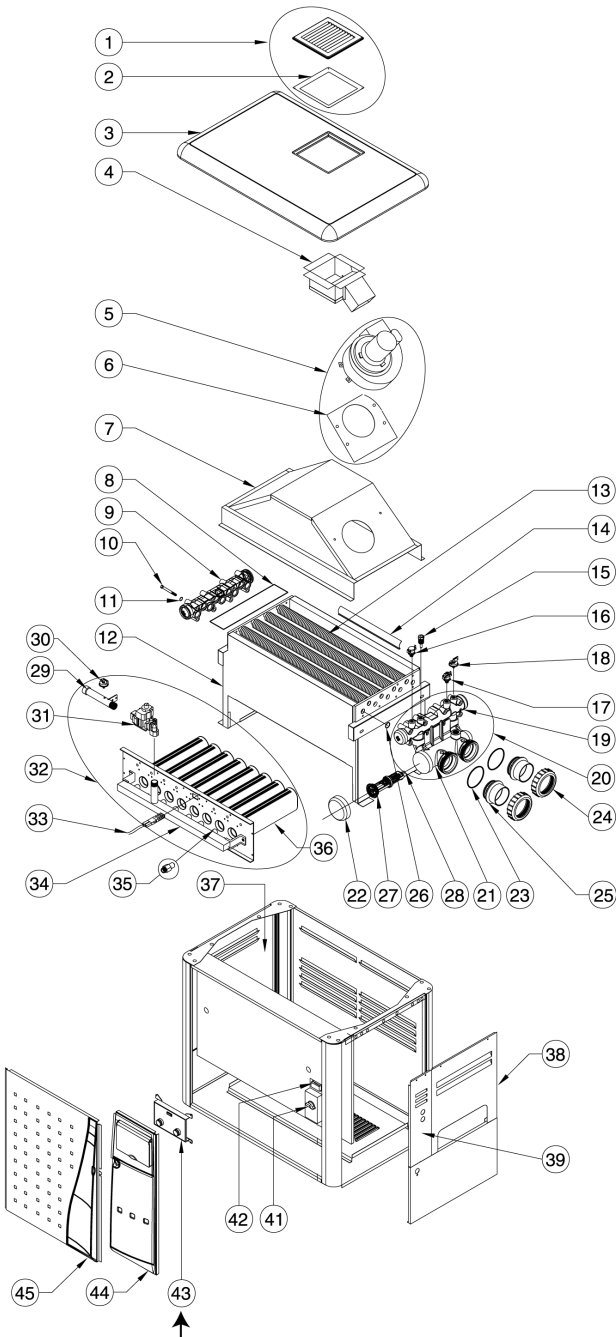


MINIMAX® NT LN HEATER, W/ 6800 CONTROLLER

REPLACEMENT PARTS

MiniMax NT LN Heater — (Non-ASME Shown)



Item	Part No.	Mod.	Description	Qty.
MINIMAX® NT LN , w/ 6800				
1	472352		Exhaust grill w/ gasket ¹	1
2	471701		Gasket, exhaust grill ¹	1
3	472353	200	Top cover w/ posts	1
3	472354	250	Top cover w/ posts	1
3	472355	300	Top cover w/ posts	1
3	472356	400	Top cover w/ posts	1
4	472357	200	Exhaust assembly	1
4	472359	250	Exhaust assembly	1
4	472357	300	Exhaust assembly	1
4	472358	400	Exhaust assembly	1
5	472361	200	Blower w/ gasket	1
5	472362		Blower w/ gasket ²	1
6	471610		Gasket, blower ¹	1
7	472007	250	Flue collector	1
7	472006	300	Flue collector	1
7	472005	400	Flue collector	1
8	472270		Insulation, header/ Hi-limit ¹	1
9	471991		Return header assembly ¹	1
10	471622		Bolt, heat exchanger ¹	16
11	072184		Washer, heat exchanger ¹	16
12	471904	200	Fire box assembly	1
12	471835	250	Fire box assembly	1
12	471922	300	Fire box assembly	1
12	472332	400	Fire box assembly	1
13	471910	200	Heat exchanger w/ headers	1
13	471785	250	Heat exchanger w/ headers	1
13	471928	300	Heat exchanger w/ headers	1
13	471838	400	Heat exchanger w/ headers	1
13	471933	200	Heat exchanger w/o headers	1
13	471934	250	Heat exchanger w/o headers	1
13	471935	300	Heat exchanger w/o headers	1
13	471936	400	Heat exchanger w/o headers	1
14	471642	200	Baffle, heat exchanger	8
14	471641	250	Baffle, heat exchanger	8
14	471896	300	Baffle, heat exchanger	8
14	471640	400	Baffle, heat exchanger	16
15	471566		Thermistor probe ¹	1
16	471587		Hi-limit thermostat, 115°F ¹	1
17	471694		Hi-limit thermostat, 150°F ¹	1
18	473605		Water pressure switch ¹	1
19	472363		In/out top sub-header assembly ¹	1

MINIMAX® NT LN HEATER, W/ 6800 CONTROLLER (CONT'D)

REPLACEMENT PARTS

Item	Part No.	Mod.	Description	Qty.
MINIMAX® NT LN , w/ 6800				
20	471992		In/out main header assembly ¹	1
21	472364		In/out bottom sub-header ¹	1
22	471420		Cap, in/out bottom sub-header ¹	1
23	274494		O-ring, adapter ¹	2
24	274440		Adapter, bulkhead ring ¹	2
25	471441		Adapter, bulkhead, 2 in. ¹	2
26	070951		Gasket, fin tube, seal ¹	18
27	471750		Flow valve assembly ¹	1
28	472330		Power element, flow valve ¹	1
29	471597		Sub-gas manifold ¹	1
30	472083		Gas pressure switch with wire harness ¹	1
31	460760		Gas valve, natural gas ¹	1
32	472016	250	Burner tray assembly	1
32	471923	300	Burner tray assembly	1
32	471981	400	Burner tray assembly	1
33	471696		Igniter and bracket ¹	1
34	471872	200	Gas manifold w/o orifice	1
34	471700	250	Gas manifold w/o orifice	1
34	471956	300	Gas manifold w/o orifice	1
34	471699	400	Gas manifold w/o orifice	1
35	See pg. 458		Gas orifices, natural ^{1,3}	
36	471668		Burner ^{1,3}	
37	471575		Jacket, upper panel, left	1
38	471576		Jacket, upper panel, right ¹	1
39	471767		Jacket, upper sub-plate ¹	2

Item	Part No.	Mod.	Description	Qty.
41	See air switch table pg. 457		Air pressure switch	1
42	460783		Module, ignition control ¹	1
43	472086		Temperature controller assembly ¹	1
44	472372		Right door assembly w/o controller ¹	1
45	471900	200	Left door assembly	1
45	472318	250	Left door assembly	1
45	471918	300	Left door assembly	1
45	471726	400	Left door assembly	1
NOT SHOWN				
	075173		Thermal cut-off ¹	1
	472508		Transformer, 40 VA ¹	1
	472375		Wire harness assembly ¹	1
	460506		Indoor vent adaptor, 4 in. ¹	1
	470328		Fan Tubing	
	471548		Control Panel Cover	
	471773		Power Switch	
	471715		Top Panel Clips	
	471549		Control Cover Hinge	
	070715		Clips to Hold Thermal Fuse	
	470184		Thermostat Knob	
	470181		Thermostat Stems	
	472255		Face Plate	

¹ Part No. used in Model Nos., 200, 250, 300, 400.

² Part No. used in Model Nos., 250, 300, 400.

³ Qty. = Model 200 (4 ea.), 250 (5 ea.), 300 (6 ea.), 400 (8 ea.).

⁴ Kit includes gas valve, elbow, mounting bracket, and side panel.