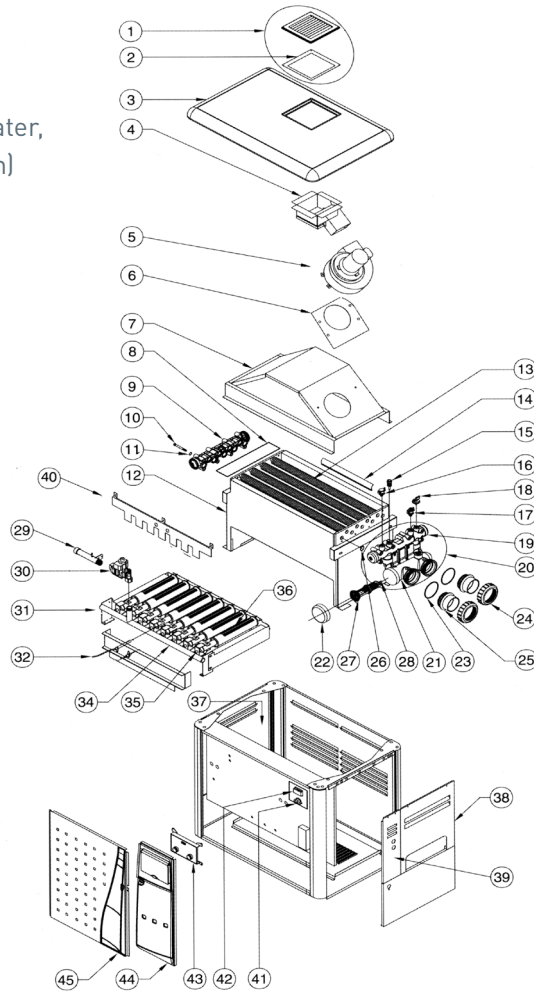


MINIMAX® NT STD HEATER, W/ 6800 CONTROLLER

REPLACEMENT PARTS

MiniMax NT STD Heater,
(Non-ASME Shown)



(Note: Pictorial is shown with 6800 Controller)

Item	Part No.	Mod.	Description	Qty.
MINIMAX® NT STD w/ 6800				
1	472352		Exhaust grill w/ gasket ¹	1
2	471701		Gasket, exhaust grill ¹	1
3	472353	200	Top cover w/ posts	1
3	472354	250	Top cover w/ posts	1
3	472355	300	Top cover w/ posts	1
3	472356	400	Top cover w/ posts	1
4	472373		Exhaust assembly ³	1
4	472376	250	Exhaust assembly	1
5	472361	200	Blower w/ gasket	1
5	472362		Blower w/ gasket ²	1
5	472374	400	Blower w/ gasket	1
6	471610		Gasket, blower	1
7	472007	250	Flue collector	1
7	472006	300	Flue collector	1
7	472005	400	Flue collector	1

Item	Part No.	Mod.	Description	Qty.
8	472270		Insulation, header/ Hi-limit ¹	1
9	471991		Return header assembly ¹	1
10	471622		Bolt, heat exchanger ¹	16
11	072184		Washer, heat exchanger ¹	16
12	471904	200	Fire box assembly	1
12	471835	250	Fire box assembly	1
12	471922	300	Fire box assembly	1
12	472332	400	Fire box assembly	1
13	471910	200	Heat exchanger w/ headers	1
13	471785	250	Heat exchanger w/ headers	1
13	471928	300	Heat exchanger w/ headers	1
13	471838	400	Heat exchanger w/ headers	1

MINIMAX® NT STD HEATER, W/ 6800 CONTROLLER (CONT'D)

REPLACEMENT PARTS

Item	Part No.	Mod.	Description	Qty.
MINIMAX® NT STD w/ 6800				
13	471933	200	Heat exchanger w/o headers	1
13	471934	250	Heat exchanger w/o headers	1
13	471935	300	Heat exchanger w/o headers	1
13	471936	400	Heat exchanger w/o headers	1
13	470371	200	Heat exchanger w/ headers, ASME	1
13	470372	250	Heat exchanger w/ headers, ASME	1
13	470373	300	Heat exchanger w/ headers, ASME	1
13	470375	400	Heat exchanger w/ headers, ASME	1
14	471642	200	Baffle, heat exchanger	8
14	471641	250	Baffle, heat exchanger	8
14	471896	300	Baffle, heat exchanger	8
14	471640	400	Baffle, heat exchanger	16
15	471566		Thermistor probe ¹	1
16	471587		Hi-limit thermostat, 115°F. ¹	1
17	471694		Hi-limit thermostat, 150°F. ¹	1
18	470190		Water pressure switch, ASME ¹	1
18	473605		Water pressure switch, NON-ASME ¹	1
19	472363		In/out top sub-header assembly ¹	1
20	471992		In/out main header assembly ¹	1
21	472364		In/out bottom sub-header ¹	1
22	471420		Cap, in/out bottom sub-header ¹	1
23	274494		O-ring, adapter ¹	2
24	274440		Adapter, bulkhead ring ¹	2
25	471441		Adapter, bulkhead, 2 in. ¹	2
26	070951		Gasket, fin tube, seal ¹	18
27	471750		Flow valve assembly ¹	1
28	472330		Power element, flow valve ¹	1
29	472365		Sub-gas manifold w/ plug ¹	1
30	460760		Gas valve, natural gas ¹	1
30	460761		Gas valve, propane	1
31*	460784	200	Kit, burner NT STD 200 NA/LP	1
31*	460785	250	Kit, burner NT STD 250 NA/LP	1
31*	460786	300	Kit, burner NT STD 300 NA/LP	1
31*	460787	400	Kit, burner NT STD 400 NA/LP	1
32	460799Z		Igniter ¹	1
33	471603		Electrode flame sensor ¹	1
34	471892	200	Gas manifold w/out orifices, natural or propane	1
34	471661	250	Gas manifold w/out orifices, natural or propane	1
34	471889	300	Gas manifold w/out orifices, natural or propane	1
34	471708	400	Gas manifold w/out orifices, natural or propane	1

Item	Part No.	Mod.	Description	Qty.
35	See pg. 458		Orifices, natural ^{1,4}	
35	See pg. 458		Orifices, LP ^{1,4}	
36	070230		Burner ^{1,5}	
36	471970		Burner w/ bracket ¹	2
37	471575		Jacket, upper pnl, left ¹	1
38	471576		Jacket, upper pnl, right ¹	1
39	471767		Jacket, upper sub-plate ¹	2
40	472704Z	400	Front Brnr. Tray Bracket	
40	472703Z	300	Front Brnr. Tray Bracket	
40	472702Z	250	Front Brnr. Tray Bracket	
40	472701Z	100	Front Brnr. Tray Bracket	
41	See air switch table pg. 457		Air pressure switch	1
42	460783		Module, ignition control ¹	1
43	472086		Temperature controller assembly ¹	1
44	472372		Right door assembly w/o controller ¹	1
45	471900	200	Left door assembly	1
45	472318	250	Left door assembly	1
45	471918	300	Left door assembly	1
45	471726	400	Left door assembly	1
42	460783		Module, ignition control ¹	1
43	472086		Temperature controller assembly ¹	1
44	472372		Right door assembly w/o controller ¹	1
45	471900	200	Left door assembly	1
45	472318	250	Left door assembly	1
45	471918	300	Left door assembly	1
45	471726	400	Left door assembly	1
NOT SHOWN				
	075173		Thermal cut-off ¹	1
	472508		Transformer, 40 VA ¹	1
	472375		Wire harness assembly ¹	1
	460506		Indoor vent adaptor, 4 in. ¹	1
	460507		Indoor vent adaptor, 5 in. ¹	1
	470184		Knob, T-Stat board	1
	470181		T-Stat board knob stem	1
	470328		Fan Tubing	
	471548		Control Panel Cover	
	471773		Power Switch	
	471715		Top Panel Clips	
	471549		Control Cover Hinge	
	070715		Clips to hold Thrml Fuse	
	472370		Window Glass	

* Includes item # 36 and #40 only.

¹ Part No. used in Model Nos., 200, 250, 300, 400.

² Part No. used in Model Nos., 250, 300.

³ Part No. used in Model Nos., 200, 300, 400.

⁴ Qty. = Model 200 (4 ea.), 250 (5 ea.), 300 (6 ea.), 400 (8 ea.).

⁵ Qty. = Model 200 (2 ea.), 250 (3 ea.), 300 (4 ea.), 400 (6 ea.).

⁶ Kit includes gas valve, elbow, mounting bracket, and side panel.