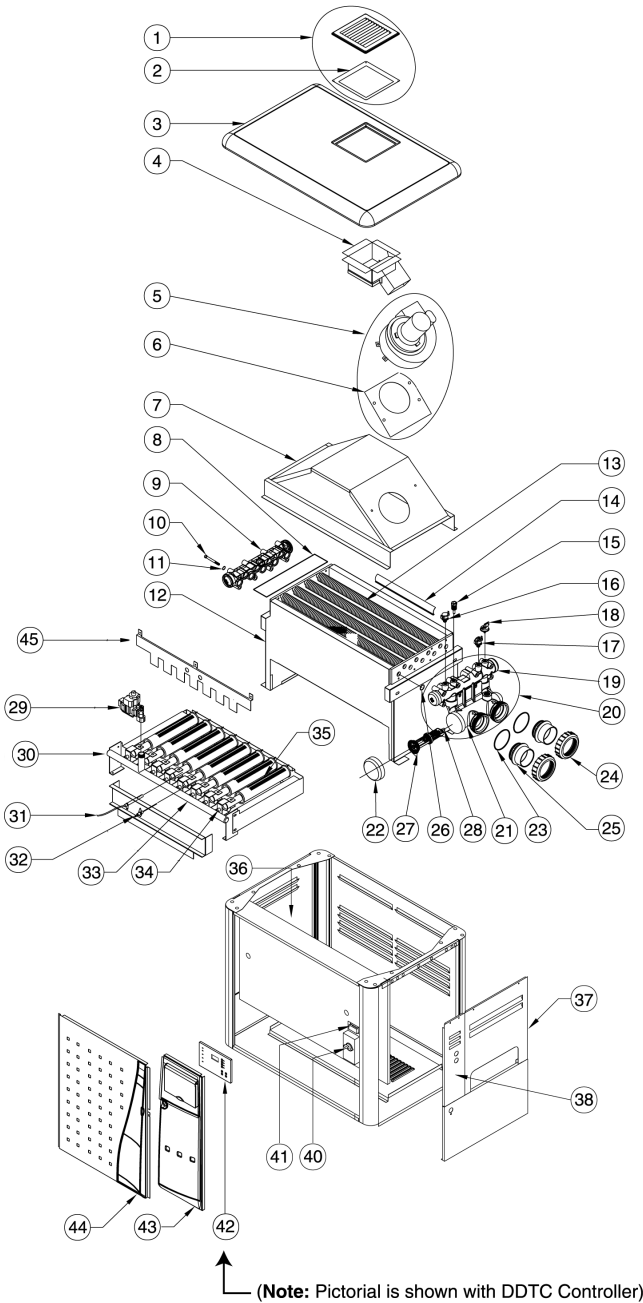


# MINIMAX® NT STD HEATER, W/ DDTC CONTROLLER

## REPLACEMENT PARTS

### MiniMax NT STD/DDTC Heater — (Non-ASME Shown)



Item	Part No.	Mod.	Description	Qty.
<b>MINIMAX® NT STD w/ DDTC</b>				
1	472352		Exhaust grill w/ gasket <sup>1</sup>	1
2	471701		Gasket, exhaust grill <sup>1</sup>	1
3	472353	200	Top cover w/ posts	1
3	472354	250	Top cover w/ posts	1
3	472355	300	Top cover w/ posts	1
3	472356	400	Top cover w/ posts	1
4	472373		Exhaust assembly <sup>2</sup>	1
4	472376	250	Exhaust assembly	1
5	472361	200	Blower w/ gasket	1
5	472362		Blower w/ gasket <sup>3</sup>	1
5	472374	400	Blower w/ gasket	1
6	471610		Gasket, blower <sup>1</sup>	1
7	472007	250	Flue collector	1
7	472006	300	Flue collector	1
7	472005	400	Flue collector	1
8	472270		Insulation, header/ Hi-limit <sup>1</sup>	1
9	471991		Return header assembly <sup>1</sup>	1
10	471622		Bolt, heat exchanger <sup>1</sup>	16
11	072184		Washer, heat exchanger <sup>1</sup>	16
12	471904	200	Fire box assembly	1
12	471835	250	Fire box assembly	1
12	471922	300	Fire box assembly	1
12	472332	400	Fire box assembly	1
13	471910	200	Heat exchanger w/ headers	1
13	471785	250	Heat exchanger w/ headers	1
13	471928	300	Heat exchanger w/ headers	1
13	471838	400	Heat exchanger w/ headers	1
13	471933	200	Heat exchanger w/o headers	1
13	471934	250	Heat exchanger w/o headers	1
13	471935	300	Heat exchanger w/o headers	1
13	471936	400	Heat exchanger w/o headers	1
14	471642	200	Baffle, heat exchanger	8
14	471641	250	Baffle, heat exchanger	8
14	471896	300	Baffle, heat exchanger	8
14	471640	400	Baffle, heat exchanger	16
15	471566		Thermistor probe	1
16	471587		Hi-limit thermostat, 115°F <sup>1</sup>	1
17	471694		Hi-limit thermostat, 150°F <sup>1</sup>	1
18	473605		Water pressure switch <sup>1</sup>	1
19	472363		In/out top sub-header assembly <sup>1</sup>	1
20	471992		In/out main header assembly <sup>1</sup>	1
21	472364		In/out bottom sub-header <sup>1</sup>	1
22	471420		Cap, in/out bottom sub-header <sup>1</sup>	1

# MINIMAX® NT STD HEATER W/ DDTC CONTROLLER (CONT'D)

## REPLACEMENT PARTS

Item	Part No.	Mod.	Description	Qty.
<b>MINIMAX® NT STD w/ DDTC</b>				
23	274494		O-ring, adapter <sup>1</sup>	2
24	274440		Adapter, bulkhead ring <sup>1</sup>	2
25	471441		Adapter, bulkhead, 2 in. <sup>1</sup>	2
26	070951		Gasket, fin tube, seal <sup>1</sup>	18
27	471750		Flow valve assembly <sup>1</sup>	1
28	472330		Power element, flow valve <sup>1</sup>	1
29	460760		Gas valve, natural gas <sup>1</sup>	1
29	460761		Gas valve, propane <sup>1</sup>	1
30*	460784	200	Kit, burner NT STD 200 NA/LP	1
30*	460785	250	Kit, burner NT STD 250 NA/LP	1
30*	460786	300	Kit, burner NT STD 300 NA/LP	1
30*	460787	400	Kit, burner NT STD 400 NA/LP	1
31	472604		Igniter <sup>1</sup>	1
32	471603		Flame sensor <sup>1</sup>	1
33	472022	250	Gas manifold natural	1
33	472026	250	Gas manifold propane	1
33	472021	300	Gas manifold natural	1
33	472020	400	Gas manifold natural	1
33	472024	400	Gas manifold propane	1
34	See pg. 458		Orifices, natural <sup>1,4</sup>	
34	See pg. 458		Orifices, propane <sup>1,4</sup>	
35	070230		Burner <sup>1,5</sup>	
35	471970		Burner w/ bracket <sup>1</sup>	2
36	471575		Jacket, upper panel, left <sup>1</sup>	1
37	471576		Jacket, upper panel, right <sup>1</sup>	1
38	471767		Jacket, upper sub-plate <sup>1</sup>	2
40	See air switch table pg. 457		Air pressure switch	1
41	472447		Module, ignition control <sup>1</sup>	1
42	472100		DDTC board <sup>1</sup>	1
43	471727		Right door assembly with controller <sup>1</sup>	1

Item	Part No.	Mod.	Description	Qty.
43	472372		Right door assembly w/o controller <sup>1</sup>	1
44	471900	200	Left door assembly	1
44	472318	250	Left door assembly	1
44	471918	300	Left door assembly	1
44	471726	400	Left door assembly	1
45	472704Z	400	Front Brnr. Tray Bracket	
45	472703Z	300	Front Brnr. Tray Bracket	
45	472702Z	250	Front Brnr. Tray Bracket	
45	472701Z	100	Front Brnr. Tray Bracket	
<b>NOT SHOWN</b>				
	075173		Thermal cut-off <sup>1</sup>	1
	472508		Transformer, 40 VA <sup>1</sup>	1
	460506		Indoor vent adaptor, 4 in. <sup>1</sup>	1
	460507		Indoor vent adaptor, 5 in. <sup>1</sup>	1
	470328		Fan Tubing	
	471548		Control Panel Cover	
	471773		Power Switch	
	471715		Top Panel Clips	
	471549		Control Cover Hinge	
	070715		Clips to hold Thermal Fuse	
	472255		Face Plate	

\* Includes items #35 and #45 only.

<sup>1</sup> Part No. used in Model Nos., 200, 250, 300, 400.

<sup>2</sup> Part No. used in Model Nos., 200, 300, 400.

<sup>3</sup> Part No. used in Model Nos., 250, 300.

<sup>4</sup> Qty. = Model 200 (4 ea.), 250 (5 ea.), 300 (6 ea.), 400 (8 ea.).

<sup>5</sup> Qty. = Model 200 (2 ea.), 250 (3 ea.), 300 (4 ea.), 400 (6 ea.).

<sup>6</sup> Kit includes gas valve, elbow, mounting bracket, and side panel.