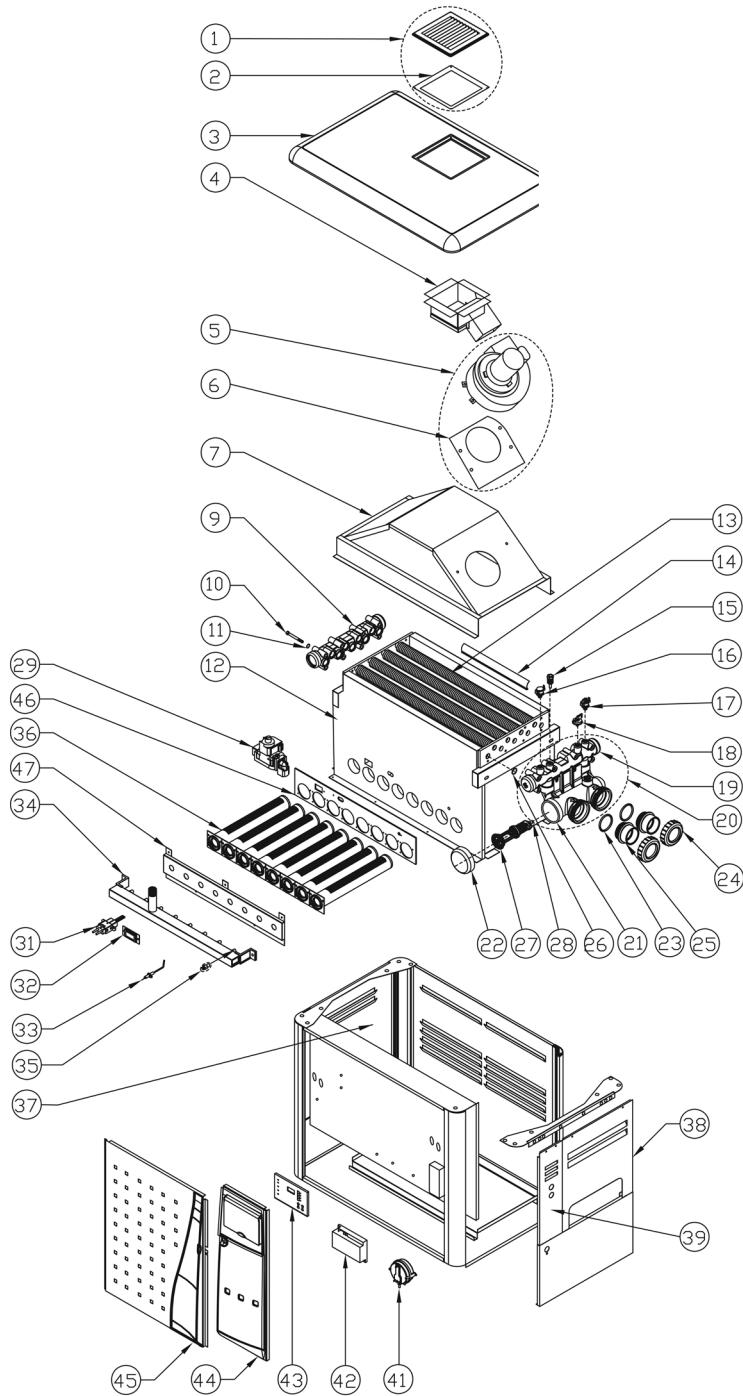


MINIMAX[®] NT TSI HEATER, W/ DDTC CONTROLLER

REPLACEMENT PARTS



MINIMAX® NT TSI HEATER, W/ DDTC CONTROLLER

REPLACEMENT PARTS

Item	Part No.	Mod.	Description	Qty
MINIMAX® NT TSI , w/ DDTC				
1	472352		Exhaust grill w/ gasket ¹	1
2	471701		Gasket, exhaust grill ¹	1
3	472353	200	Top cover w/ posts	1
3	472354	250	Top cover w/ posts	1
3	472355	300	Top cover w/ posts	1
3	472356	400	Top cover w/ posts	1
4	472357	200	Exhaust assembly	1
4	472358	250	Exhaust assembly	1
4	472359	300	Exhaust assembly	1
4	472373	400	Exhaust assembly	1
5	472361		Blower w/ gasket ²	1
5	472524	400	Blower w/ gasket	1
6	471610		Gasket, Blower ¹	1
7	472007	250	Flue collector	1
7	472006	300	Flue collector	1
7	472005	400	Flue collector	1
9	471991		Return header assembly ¹	1
10	471622		Bolt, heat exchanger ¹	16
11	072184		Washer, heat exchanger ¹	16
13	471910	200	Heat exchanger w/ headers	1
13	471785	250	Heat exchanger w/ headers	1
13	471928	300	Heat exchanger w/ headers	1
13	471838	400	Heat exchanger w/ headers	1
13	471933	200	Heat exchanger w/o headers	1
13	471934	250	Heat exchanger w/o headers	1
13	471935	300	Heat exchanger w/o headers	1
13	471936	400	Heat exchanger w/o headers	1
14	471642	200	Baffle, heat exchanger	8
14	471641	250	Baffle, heat exchanger	8
14	471896	300	Baffle, heat exchanger	8
14	471640	400	Baffle, heat exchanger	16
15	471566		Thermistor probe ¹	1
16	471587		Hi-Limit thermostat 115°F ¹	1
17	471694		Hi-Limit thermostat 150°F ¹	1
18	473605		Water pressure switch ¹	1
19	472363		In/out top sub header assembly ¹	1
20	471992		In/out main header assembly ¹	1
21	472364		In/out bottom sub-header ¹	1
22	471420		Cap, In/out bottom sub-header ¹	1
23	274494		O-ring, adapter ¹	2
24	274440		Adapter, bulkhead ring ¹	2
25	471441		Adapter, bulkhead, 2 in ¹	2
26	070951		Gasket, fin tube, seal ¹	18

Item	Part No.	Mod.	Description	Qty
27	471750		Flow valve assembly ¹	1
28	472330		Power element, flow valve ¹	1
29	460762		Gas valve, natural gas ¹	1
31	472477Z		Igniter ¹	1
32	472370		Window glass w/ holder ¹	1
33	472251		Flame sensor ¹	1
34	472285	200	Gas manifold w/ orifices, 0-3000 ft.	1
34	472286	250	Gas manifold w/ orifices, 0-3000 ft.	1
34	472287	300	Gas manifold w/ orifices, 0-3000 ft.	1
34	472288	400	Gas manifold w/ orifices, 0-3000 ft.	1
35	See pg. 458		Gas Orifice, natural ^{1,4}	
36	472211		Burner ^{1,4}	
37	471575		Jacket, Upper panel, left ¹	1
38	471576		Jacket, upper panel, right ¹	1
39	471767		Jacket, upper sub-plate ¹	2
41	See pg. 457		Air pressure switch	1
42	472150		Module, ignition control ¹	1
43	472100		Temperature controller assembly, DDTC ¹	1
44	472087		Right door assembly with controller ¹	1
44	472097		Right door assembly w/o controller ¹	1
45	471900	200	Left door assembly	1
45	472318	250	Left door assembly	1
45	471918	300	Left door assembly	1
45	471726	400	Left door assembly	1
46	472473		Burner Gasket 400 NT TSI	
NOT SHOWN				
	075173		Thermal Cut-off ¹	1
	472508		Transformer, 40 VA ¹	1
	460506		Indoor vent adaptor, 4 in. ¹	1
	460507		Indoor vent adaptor, 5 in. ¹	1
	472514		Wire harness assembly ¹	1
	470328		Fan Tubing	
	471548		Control Panel Cover	
	471773		Power Switch	
	471715		Top Panel Clips	
	471549		Control Cover Hinge	
	070715		Clips to Hold Thermal Fuse	

¹ Part No. used in Model Nos., 200, 250, 300, 400.

² Part No. used in Model Nos., 200, 250, 300.

³ Part No. used in Model Nos., 300, 400.

⁴ Qty. = Model 200 (4 ea.), 250(5 ea.), 300(6 ea.), 400. (8 ea.).

⁵ Kit includes gas valve, elbow, mounting bracket, and side panel.