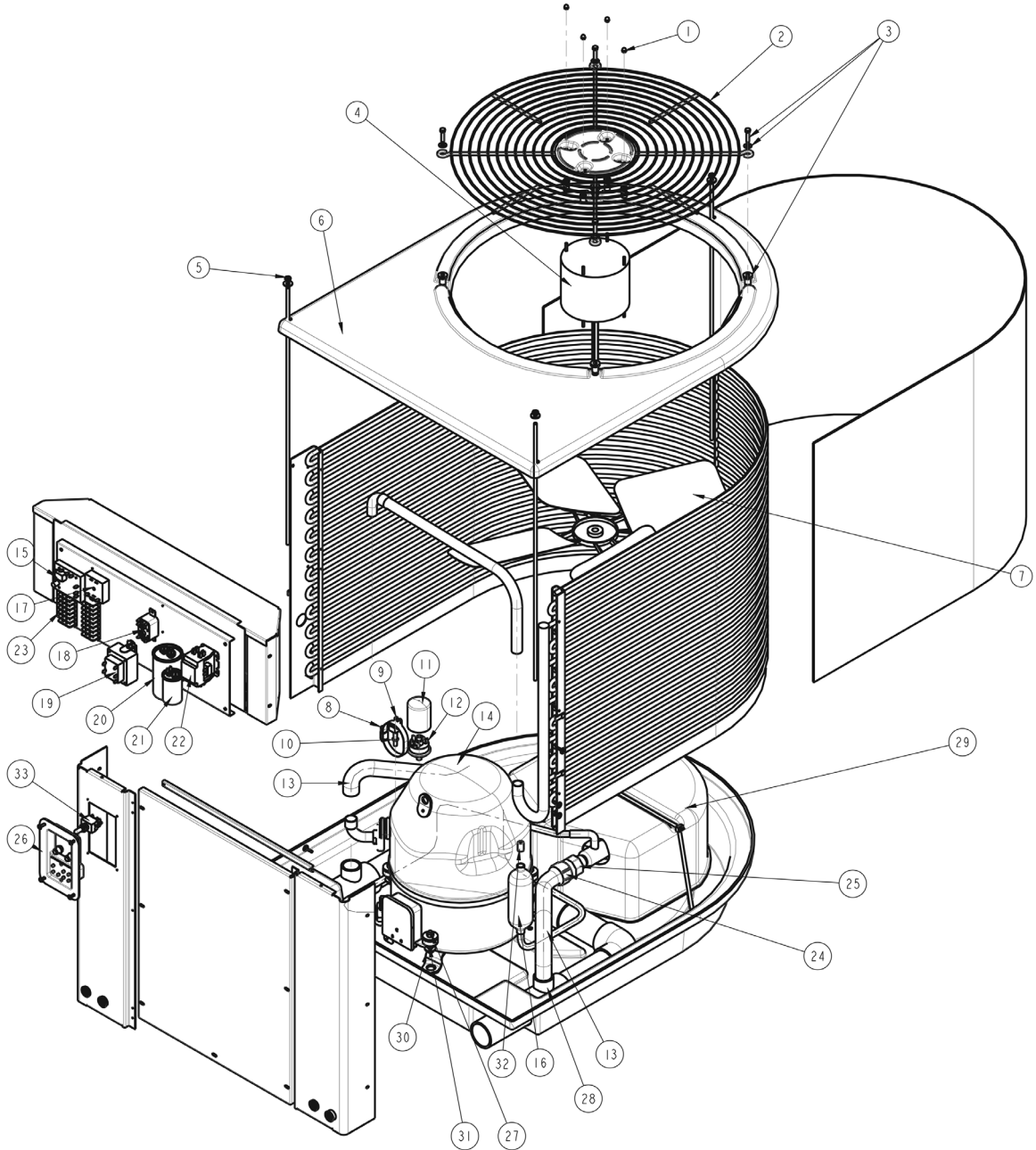


# MINIMAX® PLUS HP HEAT PUMP

## REPLACEMENT PARTS



# MINIMAX<sup>®</sup> PLUS HP HEAT PUMP (CONT'D)

## REPLACEMENT PARTS

Item	Part No.	Description
MINIMAX PLUS HP		
1	470439	Nut, 10-32 SS acorn
2	473368	Fan guard
3	470441	Fastener kit, fan guard, 1 set
4	473224	Motor, fan
5	473285	Nut, 1/4-20 SS acorn
6	473222	Top
7	473223	Fan blade
8	9321004	Hose clamp, 2-3/4 in.
9	520272	Temperature sensor, 10K OHM, 40 in.
10	9142109	O-ring 2-109
11	473364	Protective cap for water pressure switch
12	473070	Water pressure switch
13	473065	Hose, spa, 1 in.
14	473024	Compressor, Trane GH633-LLI-G, Model No. 400, 600, 800
14	473025	Compressor, Trane GH673-LMI-G, Model No. 1000, 1000R, CHILLR
15	473157	Circuit board, Honeywell
16	473121	Drier, Model No. 400, 600, 800, 1000, CHILLR
16	473139	Drier, Model No. 1000R
17	473156	Time delay SSAC
18	473150	Relay, fan
19	473155	Transformer
20	473198	Capacitor, 50 MFD 440V
21	473154	Capacitor, 7.5 MFD 370V
22	473149	Contact, compressor
23	473160	Terminal block 8 POS
24	473068	Adapter, male, Model No. 400, 600, 800
24	473069	Adapter, male, Model No. 1000, 1000R, CHILLR
25	473116	Quest nut, ASM 3/4 NPT, Model No. 400, 600

Item	Part No.	Description
25	473117	Quest nut, ASM 3/4 NPT, Model No. 800, 1000, 1000R, CHILLR
26	473216	Thermostat, Model No. 400, 600, 800, 1000
26	473221	Thermostat, Model No. 1000R
27	473294	Bolt, 5/16-18 x 1-3/4 in. SS
28	473059	Bypass assembly with check valve
29	473051	Water coil assembly, Model No. 400, 600
29	473052	Water coil assembly, Model No. 800, 1000, 1000R, CHILLR
30	473295	Washer, fender
31	473026	Compressor isolation kit
32	473144	Orifice, reversible, Model No. 1000R
32	473145	Orifice, reversible, Model No. 400, 600, 800, 1000, CHILLR
33	473181	Switch, 3 position toggle
NOT SHOWN		
	473135	Valve, reversing, Model No. 1000R
	473168	Wire harness electrical
	473169	Wire harness, Trane compressor
	473172	Switch 500/ 380 hi-pressure
	473175	Switch 90/120 lo-pressure, Model No. 400, 600, 800, 1000
	473176	Switch 40/80 lo-pressure, Model No. 1000R, CHILLR
	155187	Switch toggle double insulated, Model No. CHILLR
	473381	Union nuts - 2 in.
	473035	RotoLock Hi Side with Gasket
	473034	RotoLock Lo Side with Gasket