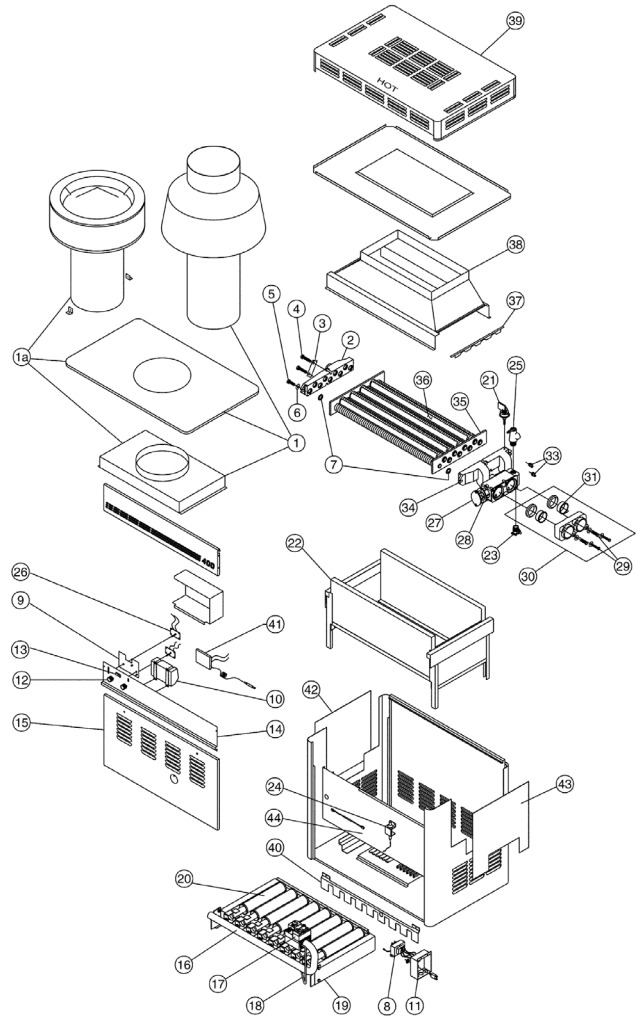


MINIMAX® PLUS HEATER

REPLACEMENT PARTS

In January 1996, the circuit boards for Minimax Heaters were changed at the terminals by request of the American National Standard Institute (ANSI) and the American Gas Association (A.G.A.), the two approval agencies for the manufacturing of gas heaters in the United States. If you have a heater manufactured before January 1, 1996 and you receive a newer circuit board with the smaller terminals and the older thermistor has larger connectors, the larger connectors can be crimped so they will fit tight on the newer circuit board terminals, contact a Pool Service Professional for details.



Item	Part No.	Mod.	Description	Qty.
VENT KIT ASSEMBLY				
1	460227	150	Indoor	1
1	460228	200	Indoor	1
1	460230	250	Indoor	1
1	460231	300	Indoor	1
1a	460233	350	Outdoor	1
1a	460234	400	Outdoor	1
1a	460237	150	Outdoor	1
1a	460222	200	Outdoor	1
1a	460223	250	Outdoor	1
1a	460224	300	Outdoor	1
1a	460225	350	Kit Outdoor Vent, 350 PLS	1
1a	460226	400	Kit Outdoor Vent, 400 PLS	1
2	070994		Header Return	1
3	074216		Bracket Washer	2

Item	Part No.	Mod.	Description	Qty.
4	073739		Bolt 3/8, 16 x 2 in. ¹	4
5	070416		Bolt 3/8, 16 x 1-1/2 in. ¹	4
6	072180		Washer 3/8 in.	4
7	070951		Gasket, steel tube	18
8	471360		Transformer 24 Vac CH with circuit breaker	1
9	470179		Electronic thermostat circuit board	1
10	073584		Module natural gas ¹	1
10	073585		Module propane gas ¹	1
11	470122		Junction Box 110 unit	1
12	470184		Thermostat knob	
13	470186		Switch, rocker Single pole, double throw	

MINIMAX® PLUS HEATER (CONT'D)

REPLACEMENT PARTS

Item	Part No.	Mod.	Description	Qty.
CONTROL PANEL ASSEMBLY, COMPLETE				
14	470295	150	Natural, IID	1
14	470297	250	Natural, IID	1
14	470187	400	Natural, IID	1
14	470987	150	Propane, IID	1
14	470989	250	Propane, IID	1
14	470992	400	Propane, IID	1
14	471020	150	Millivolt	1
14	471021	200	Millivolt	1
14	471023	300	Millivolt	1
14	471024	350	Millivolt	1
14	471025	400	Millivolt	1
15	075468	150	Door, IID or millivolt	1
15	075604	200	Door, IID or millivolt	1
15	075488	250	Door, IID or millivolt	1
15	075605	300	Door, IID or millivolt	1
15	075606	350	Door, IID or millivolt	1
15	075490	400	Door, IID or millivolt	1
16	070256	150	Manifold burner	1
16	075525	200	Manifold burner	1
16	070257	250	Manifold burner	1
16	075526	300	Manifold burner	1
16	075527	350	Manifold burner	1
16	070258	400	Manifold burner	1
17	073998		Gas valve natural, IID ¹	1
17	073999		Gas valve propane, IID ¹	1
17	075457		Gas valve natural, millivolt ¹	1
17	075458		Gas valve propane, millivolt ¹	1
18	075191		Pilot tube, IID ²	1
18	075192		Pilot tube, IID ³	1
18	075193		Pilot tube, IID ⁴	1
18	076084		Pilot tube, millivolt ²	1
18	076085		Pilot tube, millivolt ³	1
18	076086		Pilot tube, millivolt ⁴	1

BURNER TRAY ASSEMBLY, COMPLETE				
19	073752	150	Natural, IID	1
19	075499	200	Natural, IID	1
19	073751	250	Natural, IID	1
19	075500	300	Natural, IID	1
19	075501	350	Natural, IID	1
19	073750	400	Natural, IID	1
19	073906	150	Propane, IID	1
19	075508	200	Propane, IID	1
19	073905	250	Propane, IID	1
19	075510	350	Propane, IID	1
19	073904	400	Propane, IID	1
19	075493	150	Natural, millivolt	1
19	075494	250	Natural, millivolt	1
19	075497	300	Natural, millivolt	1

Item	Part No.	Mod.	Description	Qty.
19	075498	350	Natural, millivolt	1
19	075495	400	Natural, millivolt	1
19	075502	150	Propane, millivolt	1
19	075505	200	Propane, millivolt	1
19	075503	250	Propane, millivolt	1
19	075506	300	Propane, millivolt	1
19	075507	350	Propane, millivolt	1
19	075504	400	Propane, millivolt	1
20	070230		Burner ¹	8
20a	470550		Burner w/ pilot bracket ¹	1
21	470190		Pressure switch ¹	1
COMBUSTION CHAMBER ASSEMBLY, COMPLETE				
22	073858	150	Assembly	1
22	075586	200	Assembly	1
22	073857	250	Assembly	1
22	075587	300	Assembly	1
22	075588	350	Assembly	1
22	073856	400	Assembly	1
23	072134		Valve drain, 3/4 in. ¹	1
24	075459		Presslite igniter assembly (Millivolt units only) ¹	1
25	072138		Valve relief, 3/4 in. 50# ^{1,7}	1
26	471678		Potentiometer (Millivolt only) ¹	2
27	471424		Flow valve assembly standard, complete ¹	1
27	073989		Flow valve assembly ASME, complete ¹	1
28	074015		Flow valve gasket ¹	4
29	075492		Bolt, 3/8, 16 x 2-1/2 ¹	2
30	075284		Quick flange kit ¹	1
31	070544		Bushing in/out Lexan ¹	2
32	071895		Sleeve, rubber in/out, 2 in. ¹	2
33	071017		Safety shut-off ¹	2
34	070985		Main header (in/out) ¹	1

HEAT EXCHANGER, WITH HEADS				
35	470364	150	Heat exchanger	1
35	470365	200	Heat exchanger	1
35	470366	250	Heat exchanger	1
35	470367	300	Heat exchanger	1
35	470368	350	Heat exchanger	1
35	470369	400	Heat exchanger	1

MINIMAX® PLUS HEATER (CONT'D)

REPLACEMENT PARTS

Item	Part No.	Mod.	Description	Qty.
HEAT EXCHANGER, WITH HEADS				
35	470371	200	Heat Exchanger	1
35	470372	250	Heat Exchanger	1
35	470373	300	Heat Exchanger	1
35	470375	400	Heat Exchanger	1
HEAT EXCHANGER, WITHOUT HEADS				
35	074452	150	Heat exchanger	1
35	075628	200	Heat exchanger	1
35	074451	250	Heat exchanger	1
35	075629	300	Heat exchanger	1
35	075630	350	Heat exchanger	1
35	074074	400	Heat exchanger	1
36	070277	150	Baffle	8
36	075559	200	Baffle	8
36	070276	250	Baffle	8
36	075560	300	Baffle	8
36	070277	350	Baffle	16
36	070278	400	Baffle	16
37	472329		Baffle hld. down, 2 req. on 400 ¹	1
38	073864	150	Flue collector	1
38	075622	200	Flue collector	1
38	073863	250	Flue collector	1
38	075623	300	Flue collector	1
38	075624	350	Flue collector	1
38	073862	400	Flue collector	1
39	470471	150	Outdoor top assembly	1
39	470472	200	Outdoor top assembly	1
39	470473	250	Outdoor top assembly	1
39	470474	300	Outdoor top assembly	1
39	470475	350	Outdoor top assembly	1
39	470476	400	Outdoor top assembly	1
LIGHTBACK SHIELD (PROPANE GAS UNITS ONLY)				
40	075783	150	Lightback shield	1
40	075784	200	Lightback shield	1
40	075785	250	Lightback shield	1
40	075786	300	Lightback shield	1
40	075787	350	Lightback shield	1
40	075788	400	Lightback shield	1
41	471677		Electronic thermostat, millivolt	1
41	471677		Electronic thermostat, millivolt (Black Box)	1
41	072022		Thermostat 48 in. Capillary, Qty 2	1
42	073789		Panel, return ¹	1
43	073790		Panel, in/out ¹	1
44	075173		Thermal cut-off, fusible link ¹	1
NOT SHOWN				
070715			Plastic mounting bracket ¹	1
470965			Wire kit, harness IID complete ¹	1

Item	Part No.	Mod.	Description	Qty.
	471277		Clips for wire harness ¹	1
	075511		Wire kit, millivolt ¹	1
	071703		Screw, 8 x 1/4 in. hh. ¹	1
	071698		Screw, 8 x 1/2 in. hh. ¹	1
	071716		Screw, 6 x 1/4 in. ¹	1
	071659		Screw, 10-32 x 1/4 in. ¹	1
	075692		Screw, 10-32 x 3/16 ¹	1
	070551		Bushing, 1/2 in. ¹	1
	470414		Therm. knob stopper ¹	2
	472330		Power element (flow-valve) ¹	1
	073725		Bolt 5/16, 18 x 3/4 in. ¹	2
	471204		Pilot, natural, IID ¹	1
	471205		Pilot, propane, IID ¹	1
	471292		Pilot, natural, millivolt, includes blue spark wire	1
	471291		Pilot, propane, millivolt, includes blue spark wire ¹	1
	071515		Pilot, generator ¹	1
	471740		Thermistor probe, complete millivolt models ¹	1
	470180		Thermistor probe, IID models ¹	1
	074202		Indicator board LED lightstrip ^{1,6}	1
	070273		Potentiometer, TSTAT IID ^{1,6}	2
	073727		Orifice main burner, natural ^{1,5}	1
	073728		Orifice main burner, propane ^{1,5}	1
	471293		Pilot rainshield ¹	1
	471328		Pilot electrode (only) ¹	1
	470181		Stem, thermostat control, IID models ¹	2
	070715		Clips for transformer ¹	1
	074540		"L" brackets ¹	3
	471271		Bracket adapter Q379 pilot, MV ¹	1
	072253		Jumper	1
	471612		Door latch	1
	070264		Front Insulation	1
	070265		Back Insulation	1
	070270		Side Insulation	1

¹ Part No. used in Model Nos., 150, 200, 250, 300, 350, 400.

² Part No. used in Model Nos., 150, 200.

³ Part No. used in Model Nos., 250, 300.

⁴ Part No. used in Model Nos., 350, 400.

⁵ Qty. = Model, N or P 150 (3 ea.), 200 (4 ea.), 250 (5 ea.), 300 (6 ea.), 350 (7 ea.), 400 (8 ea.).

⁶ Previously Manufactured Model.