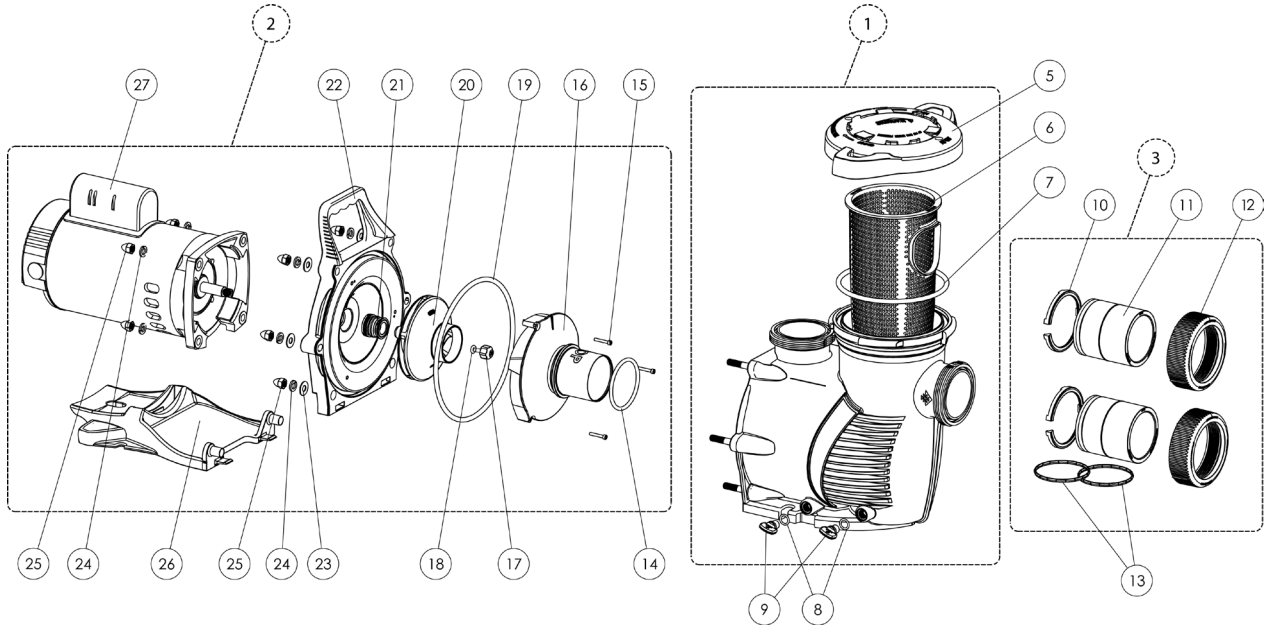


MAX-E-PROXF® SERIES PUMP

REPLACEMENT PARTS



Item	Part No.	Description
MAX-E-PRO XF PUMP		
1	401000	Wet End Assembly
2	See chart on next page	Power End Assembly
3	410020	Union Kit Without Tap
5	401006	Lid/Locking Ring Assembly
6	400007Z	XF Series Replacement Basket
7	35505-1440	Lid/Locking Ring O-Ring
8	192115	Drain Plug O-Ring
9	357161	Drain Plug
10	410001	2.5 in. C-Clip Locking Ring
11	410002	2.5 in. Union Adapter without Tap
12	411000	2.5 in. Union Nut
13	410016Z	2.5 in. Seal Kit - (Includes two)
14	350336	Diffuser O-Ring
15	353323	Diffuser Screw
16	See chart on next page	Diffuser
17	37337-6080	Impeller Reverse Screw

Item	Part No.	Description
18	33455-1047	Impeller Reverse Screw O-Ring
19	351446	Seal Plate O-Ring
20	See chart on next page	Impeller Assembly
21	17351-0101S	Mechanical Seal Assembly
22	401002	Seal Plate
23	072184	Flat Washer
24	U43-12SS	Split Lock Washer
25	071413	Acorn Nut
26	401004Z	Motor Base
27	See chart on next page	Motor
NOT SHOWN		
	400030Z	Hardware and O-Rings Kit
	400032Z	Seal Plate Kit w/ Mechanical Seal
	400012	Riser Plate XF to Challenger
	401014Z	Motor End Cap and Screw

MAX-E-PROXF® SERIES PUMP (CONT'D)

REPLACEMENT PARTS



Item	Part No.	Description
IMPELLERS		
20	400020Z	XFET-8
20	400015	XFET-12
20	400023Z	XFET-20
20	400020Z	XF-8
20	400015	XF-12
20	400020Z	XFE-8
20	400015	XFE-12
20	400023Z	XFE-20
20	400020Z	XFDS-8
20	400015	XFDS-12
20	400020Z	XFDS-30
20	400020Z	XF-30
20	400020Z	XFE-30
20	400020Z	XFJ-8
20	400015	XFJ-12
20	400023Z	XFJ-20
20	400020Z	XFK-8
20	400015	XFK-12
20	400023Z	XFK-20
MOTORS		
27	354816S	2hp 1-Phase TEFC 208-230V
27	354818S	3hp 1-Phase TEFC 208-230V
27	354820S	5hp 1-Phase TEFC 208-230V
27	355027S	2hp Standard E 230V
27	355034S	3hp Standard E 230V
27	355015S	2hp High Eff 208-230V
27	355017S	3hp High Eff 208-230V
27	353319S	5hp High Eff 208-230V
27	359527S	2hp 2 Speed 230V
27	353318S	3hp 2 Speed 230V
27	359527S	2.5hp Uprated 2 Speed 230V
27	355027S	2.5hp Uprated Standard E 230V
27	355015S	2.5hp Uprated High E 208-230V
27	354810S	2hp 3 Phase TEFC 208-230-460V
27	354812S	3hp 3 Phase TEFC 208-230-460V
27	354814S	5hp 3 Phase TEFC 208-230-460V

Item	Part No.	Description
DIFFUSERS		
16	400010	XFET-8
16	400010	XFET-12
16	400011Z	XFET-20
16	400010	XF-8
16	400010	XF-12
16	400010	XFE-8
16	400010	XFE-12
16	400011Z	XFE-20
16	400010	XFDS-8
16	400010	XFDS-12
16	400010	XFDS-30
16	400010	XF-30
16	400010	XFE-30
16	400010	XFJ-8
16	400010	XFJ-12
16	400011Z	XFJ-20
16	400010	XFK-8
16	400010	XFK-12
16	400011Z	XFK-20
POWER ENDS		
2	401632Z	2hp 1-Phase TEFC 208-230V
2	401633Z	3hp 1-Phase TEFC 208-230V
2	401634Z	5hp 1-Phase TEFC 208-230V
2	401612Z	2hp Standard E 230V
2	401613Z	3hp Standard E 230V
2	401609Z	2hp High Eff 208-230V
2	401610Z	3hp High Eff 208-230V
2	401611Z	5hp High Eff 208-230V
2	401607Z	2hp 2 Speed 230V
2	401608Z	3hp 2 Speed 230V
2	401607Z	2.5hp Uprated 2 Speed 230V
2	401612Z	2.5hp Uprated Standard E 230V
2	401609Z	2.5hp Uprated High E 208-230V
2	401617Z	2hp 3 Phase TEFC 208-230-460V
2	401618Z	3hp 3 Phase TEFC 208-230-460V
2	401619Z	5hp 3 Phase TEFC 208-230-460V