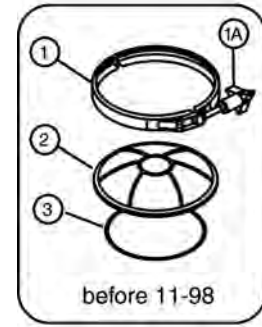
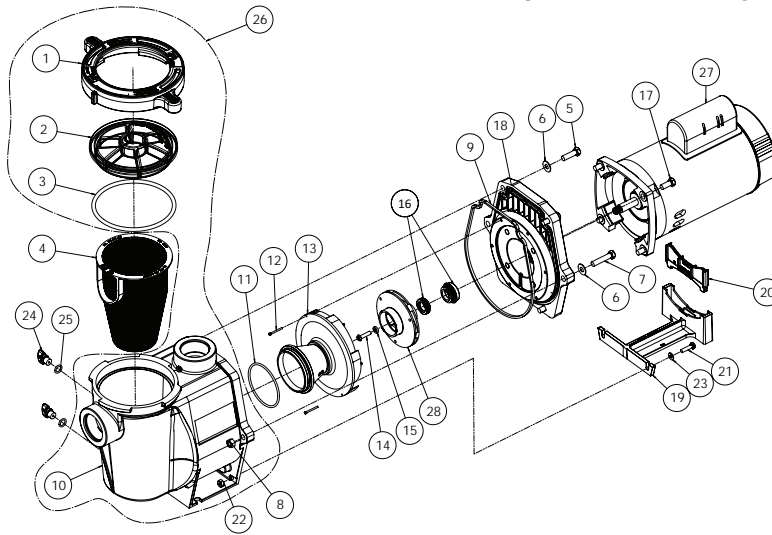


WHISPERFLO® PUMP REPLACEMENT PARTS



CALIFORNIA PROPOSITION 65 WARNING
 ⚠️ **WARNING:** Cancer and Reproductive Harm.
 ⚠️ **AVERTISSEMENT:** Peut Causer le Cancer et des Dommages au Système Reproducteur.
 ⚠️ **ADVERTENCIA:** Cáncer y Daño Reproductivo.
www.p65warnings.ca.gov PS-2011A

Item	Part No.	Description	US List	Can. List
WHISPERFLO PUMPS				
1	070711	Clamp band assembly, SS, WF/AQ ⁵ (old style)	99.97	120.12
1	357150	Clamp, Cam & Ramp™, plastic, black, WF ⁷	53.98	64.86
1	357199	Clamp, Cam & Ramp, plastic, almond, WF ⁸	53.98	64.86
1A	071136Z	Knob, only ⁵	26.10	31.36
2	070795	Cover, clear, AQ/WFE pump ⁵ (old style)	56.53	67.93
2	357151	Cover, clear, WFE pump ⁶	40.64	48.83
2	357156	Cover, chemical resistant Cam & Ramp	76.67	92.13
3	071422	O-ring, AQ/WFE cover ⁵	7.84	9.42
3	350013Z	O-ring, WFE cover ⁶	4.28	5.14
4	070387Z	Basket	18.94	22.76
5	070430	Bolt, 3/8, 16 x 1-1/4 hex hd. SS, 4 req.	2.83	3.40
6	072184	Washer, 3/8 x 13/16 o.d. SS, 6 req.	1.74	2.09
7	070431	Bolt, 3/8, 16 x 1-3/4 hex hd. SS, 2 req.	3.11	3.74
8	071403	Nut, 3/8, 16 hex hd., 2 req.	1.74	2.09
9	071445	O-ring parker No.2-265, WFE pump ^{1,4}	19.52	23.46
9	357100Z	Black Gasket for Seal Plate ¹⁴	7.30	8.77
9	357102Z	Almond Gasket for Seal Plate ¹⁵	7.30	8.77
10	357149	Volute & Sealplate, Almond Replacement Kit ⁶	340.01	408.56
10	350015	Volute, almond	258.40	310.49
10	357157	Volute, black	258.40	310.49
11	355227Z	O-ring parker No.2-238, WFE pump	3.68	4.42
12	071660Z	Set screw, 4-40 x 1-1/8 WFE, 2 req.	CALL	CALL
13	072928	Diffuser assembly, WFE-12, 3 HP; WFK-12, 3HP models	102.87	123.61
13	072927Z	Diffuser assembly, WFE-2-8, 1/2 HP - 2-1/2 HP	CALL	CALL
14	071652Z	Set screw, 1/4, 20 x 1 lh. phillips	CALL	CALL

Item	Part No.	Description	US List	Can. List
15	075713	Rubber washer, WFE pump	1.74	2.09
16	071734S	Seal PA-7 w/ ceramic seat, PS1000	34.31	41.23
16	071732S	Mechanical Seal (ozone/salt resistant)	CALL	CALL
17	070429Z	Bolt, 3/8-16 X 7/8 SS Hex Head 18-8, 4 req.	CALL	CALL
18	350202	Seal Plate Kit, Almond with Gasket (Includes Mechanical Seal Installed and Seal Plate Gasket) Items 9, 16 & 18	227.98	273.94
18	350101	Seal Plate Kit WFE Black (Includes Mechanical Seal installed) Items 16 & 18	CALL	CALL
19	070927	Foot, WFE-4 pump, almond	43.41	52.16
19	357159	Foot, black ⁹	43.41	52.16
20	070929	Foot insert, WFE pump, almond	21.78	26.17
20	357160	Foot insert, WFE pump, black ⁹	21.78	26.17
21	071657Z	Screw, 1/4, 20 x 1 in. hh. SS, 2 req.	CALL	CALL
22	071406	Nut, 1/4, 20 hex. hd. SS, 2 req.	1.74	2.09
23	072183	Washer, flat 1/4 x 5/8, 2 req.	1.74	2.09
24	071131Z	Knob plug drain, almond (2 req.)	6.96	8.36
24	357161Z	Knob plug drain, 2 req., black ⁹	5.71	6.86
25	192115Z	O-Ring drain plug, 2 req.	2.86	3.44
26	357149	Almond Volute/Seal plate kit ⁶ (Includes items 1-4, 9, 10, 16, 18, 24, 25.)	340.01	408.56
MOTORS				
27	354803S	3/4 HP, 1SP, TEFC	CALL	CALL
27	354821S	1 HP, 1SP, TEFC, WFET- 4	CALL	CALL
27	354823S	1-1/2 HP, 1SP, TEFC, WFET- 6	CALL	CALL
27	354815S	2 HP, 1SP, TEFC, WFET- 8	CALL	CALL
27	354817S	3 HP, 1SP, TEFC, WFET- 12	CALL	CALL
27	355008S	3/4 HP, 1SP, WFE- 2, 3 & 24	CALL	CALL
27	355010S	1 HP, 1SP, WFE- 4 & 26	CALL	CALL
27	355012S	1-1/2 HP, 1SP, WFE- 6 & 28	CALL	CALL
27	355014S	2 HP, 1SP, WFE-8 & 30	CALL	CALL

Note: Pumps and replacement motors that are single speed and one (1) Total HP or greater cannot be sold, offered for sale, or installed in a residential pool for filtration use in California, Title 20 CCR sections 1601-1609.

Product on pages 180-181.