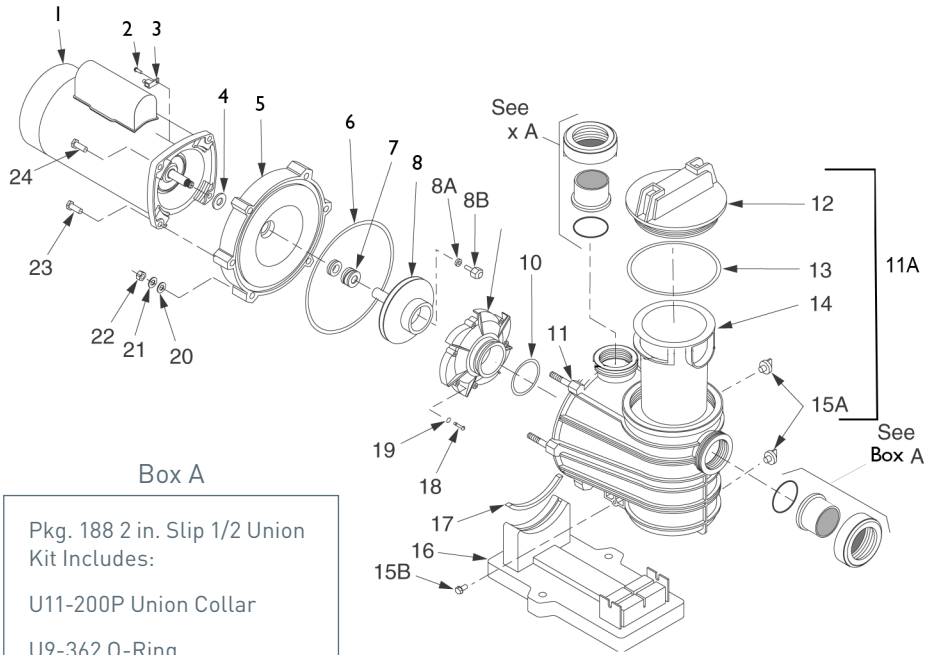


DYNA-WAVE® SERIES PUMP

REPLACEMENT PARTS



Refer to Manual
 #12 - 17307-0111S
 #13 - 35505-1440
 #11 - C76-71P
 Alternate parts used
 after 4-2009

Box A

Pkg. 188 2 in. Slip 1/2 Union Kit Includes:
 U11-200P Union Collar
 U9-362 O-Ring
 U11-196P 2 in. Slip Adapter

Item	Part No.	Description
DYNA-WAVE REPLACEMENT PARTS		
1	62003-2088	Motor, 115/230V 1750 RPM
2	U30-692SS	Screw #10-32 x 1/2 in.
3	U17-568	Bonding Lug
4	C69-2	Slinger
5	C3-184P	Seal Plate
6	U9-373	Seal Plate Cord Ring
7	17351-0101S	Shaft Seal
8	C105-236PDA	Impeller
9	C1-270P	Diffuser
10	U9-374	Diffuser O-Ring
10	357098Z	Diffuser O-Ring (Blue Coating)
11	C76-58P	Tank and Trap Body (Only)
11A	C176-71P	Tank and Trap Assy (Includes #11, 12, 13, 14, 15A)
12	C3-185P	Trap Cover
13	U9-375	Trap Cover O-Ring

Item	Part No.	Description
14	C8-58P	Trap Basket
15A	U178-920P	Drain Plug
15B	U30-919SS	Mounting Screw 5/16-14 x 5/8 in.
16	C4-77P	Base
17	C35-45	Motor Pad
18	U30-542SS	Screw #8-32 x 7/8 in. Rd. Hd.
19	U43-21SS	Lock Washer #8 Ext. Tooth
20	U43-62SS	Flat Washer 3/8 in.
21	U43-12SS	Lock Washer 3/8 in.
22	U36-38SS	Nut 3/8-16 Hex
23	U30-74SS	Cap Screws 3/8-16 x 1 in. Hex.