



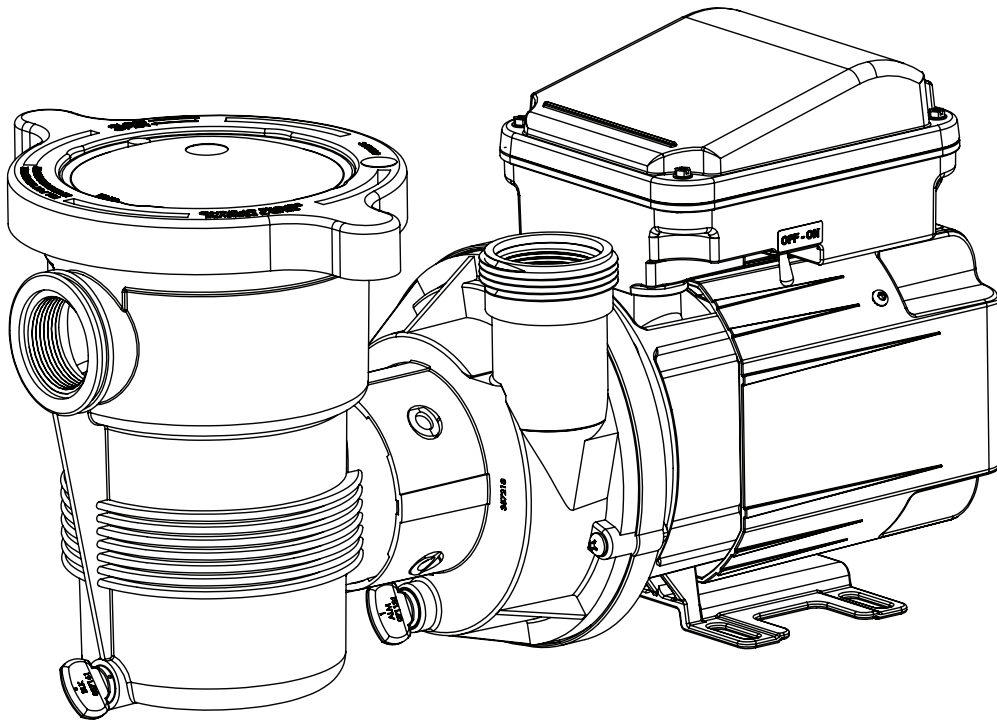
ENGLISH

ESPAÑOL

FRANÇAIS

# OPTIFLO

## ABOVEGROUND POOL PUMP



# INSTALLATION AND USER'S GUIDE

IMPORTANT SAFETY INSTRUCTIONS  
READ AND FOLLOW ALL INSTRUCTIONS  
SAVE THESE INSTRUCTIONS

## CUSTOMER SERVICE / TECHNICAL SUPPORT

---

If you have questions about ordering Pentair replacement parts, and pool products, please contact:

**Customer Service and Technical Support, USA**  
 (8 A.M. to 4:30 P.M. — Eastern/Pacific Times)  
 Phone: (800) 831-7133  
 Fax: (800) 284-4151

**Web site**

Visit [www.pentair.com](http://www.pentair.com) for information about Pentair products.

**Sanford, North Carolina** (8 A.M. to 4:30 P.M. ET)  
 Phone: (919) 566-8000  
 Fax: (919) 566-8920

**Moorpark, California** (8 A.M. to 4:30 P.M. PT)  
 Phone: (805) 553-5000 (Ext. 5591)  
 Fax: (805) 553-5515

## TABLE OF CONTENTS

---

<b>Important Pump Warning and Safety Instructions</b> .....	<b>ii</b>	<b>Winterizing Procedure</b> .....	<b>5</b>
<b>How Your Pump Works</b> .....	<b>1</b>	<b>Troubleshooting Guide</b> .....	<b>6</b>
<b>Installation</b> .....	<b>1</b>	<b>Technical Data</b> .....	<b>7</b>
Grounding .....	3	Replacement Parts .....	7
Bonding .....	3	Dimensional Data .....	8
Initial Start-Up .....	4	Pump Curves .....	8
<b>Pump Operation and Maintenance</b> .....	<b>4</b>		
<b>Disassembly/Assembly Procedure for Seal Replacement</b> .....	<b>4</b>		

# IMPORTANT PUMP WARNING AND SAFETY INSTRUCTIONS



## IMPORTANT NOTICE

This guide provides installation and operation instructions for this pump. Consult Pentair with any questions regarding this equipment.

**Attention Installer:** This guide contains important information about the installation, operation and safe use of this product. This information should be given to the owner and/or operator of this equipment after installation or left on or near the pump.

**Attention User:** This manual contains important information that will help you in operating and maintaining this product. Please retain it for future reference.

## READ AND FOLLOW ALL INSTRUCTIONS SAVE THESE INSTRUCTIONS



This is the safety alert symbol. When you see this symbol on your system or in this manual, look for one of the following signal words and be alert to the potential for personal injury.

### **⚠ DANGER**

Warns about hazards that can cause death, serious personal injury, or major property damage if ignored.

### **⚠ WARNING**

Warns about hazards that may cause death, serious personal injury, or major property damage if ignored.

### **⚠ CAUTION**

Warns about hazards that may or can cause minor personal injury or property damage if ignored.

### **NOTE**

Indicates special instructions not related to hazards.

Carefully read and follow all safety instructions in this manual and on equipment. Keep safety labels in good condition; replace if missing or damaged.

When installing and using this electrical equipment, basic safety precautions should always be followed, include the following:

**⚠ WARNING** Do not permit children to use this product.

**⚠ WARNING RISK OF ELECTRICAL SHOCK.** Connect only to a branch circuit protected by a ground-fault circuit-interrupter (GFCI). Contact a qualified electrician if you cannot verify that the circuit is protected by a GFCI.

**⚠ WARNING** This unit must be connected only to a supply circuit that is protected by a ground-fault circuit-interrupter (GFCI). Such a GFCI should be provided by the installer and should be tested on a routine basis. To test the GFCI, push the test button. The GFCI should interrupt power. Push the reset button. Power should be restored. If the GFCI fails to operate in this manner, the GFCI is defective. If the GFCI interrupts power to the pump without the test button being pushed, a ground current is flowing, indicating the possibility of an electric shock. Do not use this pump. Disconnect the pump and have the problem corrected by a qualified service representative before using.

**⚠ CAUTION** This pump is for use with permanent swimming pools and may also be used with hot tubs and spas if so marked. Do not use with storable pools. A permanently-installed pool is constructed in or on the ground or in a building such that it cannot be readily disassembled for storage. A storable pool is constructed so that it is capable of being readily disassembled for storage and reassembled to its original integrity.

## General Warnings

- Never open the inside of the drive motor enclosure. There is a capacitor bank that holds a 230 VAC charge even when there is no power to the unit.
- The pump is not submersible.
- The pump is capable of high flow rates; use caution when installing and programming to limit pumps performance potential with old or questionable equipment.
- Code requirements for electrical connection differ from country to country, state to state, as well as local municipalities. Install equipment in accordance with the National Electrical Code and all applicable local codes and ordinances.
- Before servicing the pump; switch OFF power to the pump by disconnecting the main circuit to the pump.
- This appliance is not intended for use by persons (including children) of reduced physical, sensory or mental capabilities, or lack of experience and knowledge, unless they have been given supervision or instruction concerning the use of the appliance by a person responsible for their safety.

**⚠ DANGER** FAILURE TO FOLLOW ALL INSTRUCTIONS AND WARNINGS CAN RESULT IN SERIOUS BODILY INJURY OR DEATH. **THIS PUMP SHOULD BE INSTALLED AND SERVICED ONLY BY A QUALIFIED POOL SERVICE PROFESSIONAL. INSTALLERS, POOL OPERATORS AND OWNERS MUST READ THESE WARNINGS AND ALL INSTRUCTIONS IN THE OWNER'S MANUAL BEFORE USING THIS PUMP. THESE WARNINGS AND THE OWNER'S MANUAL MUST BE LEFT WITH THE POOL OWNER.**

**⚠ DANGER** SUCTION ENTRAPMENT HAZARD: STAY OFF THE MAIN DRAIN AND AWAY FROM ALL SUCTION OUTLETS!



THIS PUMP PRODUCES HIGH LEVELS OF SUCTION AND CREATES A STRONG VACUUM AT THE MAIN DRAIN AT THE BOTTOM OF THE BODY OF WATER. THIS SUCTION IS SO STRONG THAT IT CAN TRAP ADULTS OR CHILDREN UNDER WATER IF THEY COME IN CLOSE PROXIMITY TO A DRAIN OR A LOOSE OR BROKEN DRAIN COVER OR GRATE.

THE USE OF UNAPPROVED COVERS OR ALLOWING USE OF THE POOL OR SPA WHEN COVERS ARE MISSING, CRACKED OR BROKEN CAN RESULT IN BODY OR LIMB ENTRAPMENT, HAIR ENTANGLEMENT, BODY ENTRAPMENT, EVISCERATION AND/OR DEATH.

The suction at a drain or outlet can cause:

**Limb Entrapment:** When a limb is sucked or inserted into an opening resulting in a mechanical bind or swelling. This hazard is present when a drain cover is missing, broken, loose, cracked or not properly secured.

**Hair Entanglement:** When the hair tangles or knots in the drain cover, trapping the swimmer underwater. This hazard is present when the flow rating of the cover is too small for the pump or pumps.

**Body Entrapment:** When a portion of the body is held against the drain cover trapping the swimmer underwater. This hazard is present when the drain cover is missing, broken or the cover flow rating is not high enough for the pump or pumps.

**Evisceration/Disembowelment:** When a person sits on an open pool (particularly a child wading pool) or spa outlet and suction is applied directly to the intestines, causing severe intestinal damage. This hazard is present when the drain cover is missing, loose, cracked, or not properly secured.

# IMPORTANT PUMP WARNING AND SAFETY INSTRUCTIONS

**Mechanical Entrapment:** When jewelry, swimsuit, hair decorations, finger, toe or knuckle is caught in an opening of an outlet or drain cover. This hazard is present when the drain cover is missing, broken, loose, cracked, or not properly secured.

**NOTE: ALL SUCTION PLUMBING MUST BE INSTALLED IN ACCORDANCE WITH THE LATEST NATIONAL AND LOCAL CODES, STANDARDS AND GUIDELINES.**

**⚠ WARNING** TO MINIMIZE THE RISK OF INJURY DUE TO SUCTION ENTRAPMENT HAZARD:

- A properly installed and secured ANSI/ASME A112.19.8 approved anti-entrapment suction cover must be used for each drain.
- Each suction cover must be installed at least three (3') feet apart, as measured from the nearest point to nearest point.
- Regularly inspect all covers for cracks, damage and advanced weathering.
- If a cover becomes loose, cracked, damaged, broken or is missing, replace with an appropriate certified cover.
- Replace drain covers as necessary. Drain covers deteriorate over time due to exposure to sunlight and weather.
- Avoid getting hair, limbs or body in close proximity to any suction cover, pool drain or outlet.
- Disable suction outlets or reconfigure into return inlets.

**⚠ WARNING** A clearly labeled emergency shut-off switch for the pump must be in an easily accessible, obvious place.

Make sure users know where it is and how to use it in case of emergency.

**The Virginia Graeme Baker (VGB) Pool and Spa Safety Act** creates new requirements for owners and operators of commercial swimming pools and spas.

Commercial pools or spas constructed on or after December 19, 2008, shall utilize:

(A) A multiple main drain system without isolation capability with suction outlet covers that meet ASME/ANSI A112.19.8a Suction Fittings for Use in Swimming Pools, Wading Pools, Spas, and Hot Tubs and either:

- (i) A safety vacuum release system (SVRS) meeting ASME/ANSI A112.19.17 Manufactured Safety Vacuum Release systems (SVRS) for Residential and Commercial Swimming Pool, Spa, Hot Tub, and Wading Pool Suction Systems and/or ASTM F2387 Standard Specification for Manufactured Safety Vacuum Release Systems (SVRS) for Swimming pools, Spas and Hot Tubs or
- (ii) A properly designed and tested suction-limiting vent system or
- (iii) An automatic pump shut-off system.

Commercial pools and spas constructed prior to December 19, 2008, with a single submerged suction outlet shall use a suction outlet cover that meets ASME/ANSI A112.19.8a and either:

- (A) A SVRS meeting ASME/ANSI A112.19.17 and/or ASTM F2387, or
- (B) A properly designed and tested suction-limiting vent system, or
- (C) An automatic pump shut-off system, or
- (D) Disabled submerged outlets, or
- (E) Suction outlets shall be reconfigured into return inlets.

**For Installation of Electrical Controls at Equipment Pad (ON/OFF Switches, Timers and Automation Load Center)**

**⚠ CAUTION**

Install all electrical controls at equipment pad, such as on/off switches, timers, and control systems, etc. to allow the operation (startup, shut-down, or servicing) of any pump or filter so the user does not place any portion of his/her body over or near the pump strainer lid, filter lid or valve closures. This installation should allow the user enough space to stand clear of the filter



and pump during system start-up, shut down or servicing of the system filter.

**⚠ DANGER**



**HAZARDOUS PRESSURE: STAND CLEAR OF PUMP AND FILTER DURING START UP**

Circulation systems operate under high pressure. When any part of the circulating system (i.e. locking ring, pump, filter, valves, etc.) is serviced, air can enter the system and become pressurized.

Pressurized air can cause the pump housing cover, filter lid, and valves to violently separate which can result in severe personal injury or death. Filter tank lid and strainer cover must be properly secured to prevent violent separation. Stand clear of all circulation system equipment when turning on or starting up pump.

Before servicing equipment, make note of the filter pressure. Be sure that all controls are set to ensure the system cannot inadvertently start during service. Turn off all power to the pump. **IMPORTANT: Place filter manual air relief valve in the open position and wait for all pressure in the system to be relieved.**

Before starting the system, fully open the manual air relief valve and place all system valves in the "open" position to allow water to flow freely from the tank and back to the tank. Stand clear of all equipment and start the pump.

**IMPORTANT: Do not close filter manual air relief valve until all pressure has been discharged from the valve and a steady stream of water appears.** Observe filter pressure gauge and be sure it is not higher than the pre-service condition.

**General Installation Information**

- All work must be performed by a qualified service professional, and must conform to all national, state, and local codes.
- Install to provide drainage of compartment for electrical components.
- These instructions contain information for a variety of pump models and therefore some instructions may not apply to a specific model. All models are intended for use in swimming pool applications. The pump will function correctly only if it is properly sized to the specific application and properly installed.

**⚠ WARNING**

Pumps improperly sized or installed or used in applications other than for which the pump was intended can result in severe personal injury or death. These risks may include but not be limited to electric shock, fire, flooding, suction entrapment or severe injury or property damage caused by a structural failure of the pump or other system component.

**⚠ WARNING**

The pump can produce high levels of suction within the suction side of the plumbing system. These high levels of suction can pose a risk if a person comes within the close proximity of the suction openings. A person can be seriously injured by this high level of vacuum or may become trapped and drown. It is absolutely critical that the suction plumbing be installed in accordance with the latest national and local codes for swimming pools.

**Pumps and replacement motors that are single speed and one (1) Total HP or greater cannot be sold, offered for sale, or installed in a residential pool for filtration use in California, Title 20 CCR sections 1601-1609.**

Warnings and safety instructions for Pentair Aquatic Systems pumps and other related products are available at:

<http://www.pentairpool.com/pool-owner/safety-warnings/> or call (800) 831-7133 for additional free copies of these instructions. Please refer to <http://www.pentairpool.com/pool-owner/safety-warnings/> for warning and safety instructions related to the this product.

## SECTION I. HOW YOUR PUMP WORKS

Your OptiFlo® Aboveground Pool Pump is designed to operate for years with proper maintenance. The pump housing, seal plate, hair and lint pot and impeller are made from high quality thermoplastic materials. These materials have been selected for their corrosion resistance. When installed, operated and maintained in accordance with these instructions, your pump will provide years of service.

Your centrifugal pump is driven by an electric motor. The motor is directly attached to the pump impeller. As the electric motor turns it causes the impeller to turn and this causes the water to flow. The water flows into the hair and lint pot inlet and through the basket assembly to pre-strain large particles. The flow then enters the center of the pump housing. If the pump does not contain the hair and lint pot assembly, the flow simply enters the center of the pump housing. The flow goes through the impeller and out the pump discharge port.

## SECTION II. INSTALLATION

1. Check carton for any evidence of damage due to rough handling in shipment. If carton or any pump components are damaged, notify freight carrier immediately.
2. After inspection, carefully remove pump from carton.
3. The pump should be secured to a flat solid foundation, high enough to prevent flooding of the motor. A sheltered location is best, being sure to allow for adequate ventilation.
4. Provide space and lighting for routine maintenance access. Do not mount electrical controls directly over pump.
5. The pump should be installed as near to the pool or spa as practical. Avoid installing the pump **above the water level**. Suction lifts of more than 6 inches (15.2 cm) will cause very long priming times, and potentially damage the pump.
6. The location should provide for adequate floor drainage to prevent flooding.
7. When installing your pump, remember to provide valves or other means to disconnect the pump suction and discharge for servicing.
8. Never store pool chemicals within 10 feet (3.1 m) of your pool filter and pump. Pool chemicals are corrosive and should always be stored in a cool, dry, well ventilated area.

### **WARNING**

**Chemical fumes and/or spills can cause severe corrosive attack to the filter and pump structural components. Structurally weakened filter or pump components can cause filter, pump or valve attachments to separate and could cause severe bodily injury or property damage.**

9. Assemble piping and pipe fittings to pump and valve. All piping must conform to local and state plumbing and sanitary codes.
10. Use threaded seal tape or pipe sealants on all male connections of pipe and fittings. Use only pipe sealant compounds suited for plastic pipe. Support pipe to prevent strains on filter, pump or valve. **DO NOT USE PETROLEUM BASED PRODUCTS.**
11. Avoid over tightening the pipe threads when connecting fittings to the pump. Proper procedure is to apply a pipe sealant to the thread and then install hand tight plus 1-1/2 turns. **DO NOT OVER TIGHTEN.**
12. Long piping runs and elbows restrict flow. For best efficiency use the fewest possible fittings, large diameter pipe (at least 1-1/2") & locate equipment as close to the pool as possible. The pump suction line should not be smaller than the pipe size on the inlet of the pump.

13. It is essential that the suction line be free of air leaks and air traps.

 **WARNING**

**Blockage of suction fittings can cause severe or fatal injury due to drowning. Do not permit children to use pool/spa equipment.**

14. Suction fittings must conform to ASME/ANSI A 112.19.8 M Standards. Use double suction fittings.
15. The maximum operating pressure of this unit is 25 psi (1.7 bar). Never operate this pump above this pressure. This pump is not intended to be operated in series with other pumps.

 **WARNING**

**To reduce the risk of injury, do not permit children to use this product.**

16. Wiring of this pump should be performed by a licensed electrician in accordance with the National Electrical Code or your local electrical code.

 **WARNING**

**Never work on pump while it is running or power is still connected; hazardous voltage can cause severe or fatal injury. A suitable ground fault interrupter should always be installed at the power supply source of this unit.**

17. The pump motor must be wired for the proper voltage in accordance with the wiring diagram supplied with the motor. Wiring the motor with the incorrect supply voltage will cause damage to the motor and void the warranty.
18. The wiring to the motor should be kept as short as possible and large enough NOT to cause an excessive voltage drop. Use the wire size table as a guide in selecting minimum conductor size.
19. Install, ground and bond wire according to local or National Electrical Code requirements.

## GROUNDING

20. Permanently ground motor. Use green terminal provided under motor canopy or access plate; use size and type wire required by code. Connect motor ground terminal to electrical service ground. On cord connected circuits, check for proper grounding.

## BONDING - (for permanently wired pumps)

21. The National Electrical Code Article requires that the motor be electrically bonded to appropriate permanently installed pool or spa/hot tub structure by a solid copper conductor no smaller than 8 AWG. Bonding wire should be connected from the accessible wire connector on the motor shell to all metal parts of the swimming pool, spa or hot tub structure and to all electrical equipment, metal conduit and metal piping within 5 feet (1.5 m) of the inside walls of a swimming pool, spa or hot tub. A grounding lug is provided on the exterior of the motor shell for this purpose.

### **WARNING**

**(For cord and plug-connected units) Do not bury cord. Locate cord to minimize abuse from lawn mowers, hedge trimmers and other equipment.**

### **WARNING**

**(For cord and plug-connected units) To reduce the risk of electric shock, replaced damaged cord immediately.**

### **WARNING**

**(For cord and plug-connected units) To reduce the risk of electric shock, do not use extension cord to connect unit to electric supply; provide a properly located outlet.**

### **CAUTION**

**Do not install within an outer enclosure or beneath the skirt of a hot tub or spa unless so marked.**

## INITIAL START-UP

1. Relieve all system pressure and open all air bleeders on total hydraulic system prior to starting the OptiFlo® Aboveground Pool Pump. See filter owner's manual.
2. Ensure that all fittings, clamps, closures and couplings are tight and in accordance with equipment manufacturer's recommendations.
3. Open suction and discharge valving to allow free flow of water. On flooded suction pumps with strainer pot the water source is higher than the pump. The water will flow into the pump strainer pot and the pot will fill with water. On pumps without strainer pot the water will fill the pump housing.
4. On non-flooded suction systems the pot lid clamp will have to be removed by rotating the lid counter-clockwise to a stop and lifting the clamp.
5. The pump strainer pot should be filled with water up to suction opening on the pump.
6. It is good practice to lubricate the lid o-ring with silicone lubricant each time the lid is removed. The o-ring should be cleaned and inspected every time the strainer pot is opened.
7. The lid should be replaced on the pot by aligning the clamp ears with the slots on the strainer pot. Press the lid and clamp down and twist the clamp clockwise to engage.
8. The pump is now ready to prime. Turn the motor on and the pump will prime. The time to prime will depend on the suction lift and the distance and size of suction piping. Turn off power if the pump does not prime within five minutes and refer to the Troubleshooting Guide section of this manual.

### NOTICE

**Never run the pump dry. Running the pump dry may damage the seals and pump housing. This could allow water leakage and flooding.**

## SECTION III. PUMP OPERATION AND MAINTENANCE

### **WARNING**

**DO NOT open the strainer pot if pump fails to prime or if pump has been operating without water in the strainer pot. Pumps operated in these circumstances may experience a build up of vapor pressure and may contain scalding hot water. Opening the pump may cause serious personal injury. In order to avoid the possibility of personal injury, make sure the suction and discharge valves are open and strainer pot temperature is cool to touch, then open with extreme caution.**

The strainer basket in the pump should be inspected and cleaned twice each week. Remove the clear lid and the basket, and clean debris from basket. Inspect the lid o-ring; if damaged, replace. The pump seal requires no lubrication. Refer to motor service centers for motor servicing.

## SECTION IV. DISASSEMBLY/ASSEMBLY PROCEDURE FOR SEAL REPLACEMENT

### **WARNING**

**Never work on pump while it is running or power is still connected. Hazardous voltage can cause severe or fatal injury.**

1. Stop pump and relieve system pressure.
2. Disconnect motor power at Circuit Breaker.
3. Close suction and discharge valves.



4. Use extreme care when handling the mechanical seal. The mating seal surfaces are polished and are easily damaged.
5. The mechanical seal can be changed without disconnecting piping by removing 4 bolts (see item 14 on page 7) and pulling the motor with OptiFlo® Aboveground Pool Pump seal plate and impeller assembly away from front pump housing body.
6. Remove impeller and rotating portion of seal by holding motor shaft and rotating the impeller counter-clockwise when facing the shaft extension on the motor.
7. The rotating portion of the seal can now be removed from the impeller. Clean the impeller hub and lubricate with soapy water. Wipe off shining carbon sealing surface of new mechanical seal with a clean tissue to remove oily fingerprints or other foreign materials. The new rotating seal can be pressed back onto the impeller.
8. To remove the stationary ceramic seal seat, first loosen the four motor bolts which run through the entire length of the motor into the seal plate. Remove the seal plate from the motor. Press the ceramic seat and rubber gasket out of the seal plate.
9. Clean the seal plate seal area and lubricate with soapy water. Press the new ceramic seal and gasket into the seal plate, being sure it is fully seated. Wipe off the ceramic sealing surface with a clean tissue to remove oily fingerprints or foreign substances.
10. Place the seal plate on the motor and carefully align the four motor through bolts. Secure the seal plate onto the motor being careful not to overtighten the bolts. Gradually bring bolts up to final tightness by moving across in a criss-cross pattern.
11. Check the position of the mechanical seal set in the seal plate and ensure the motor shaft is in the center of the seal set.
12. Screw the impeller with new rotating seal onto the motor shaft. Rotate the motor shaft to make sure the impeller is not touching the seal plate.
13. Clean the seal plate O-ring and check to make sure it is in position. Replace the motor and seal plate on the front pump housing body and bolt into position with 4 bolts. Gradually bring bolts up to final tightness by moving across in a criss-cross pattern.
14. Refer to initial start-up procedures to restart the pump.

## SECTION V. WINTERIZING PROCEDURE

### NOTICE

**Allowing the water to freeze in pump will damage the pump and cause potential water damage/flooding and potential property damage.**

1. Drain all water from pump housing and piping when freezing temperatures are expected. A drain plug is provided to drain the pump. If the pump has a strainer pot both the strainer drain plug and the housing drain plug should be removed. If pump has no strainer pot then only remove the housing plug.
2. If the pump can be removed and placed in an inside dry location this should be done.
3. For an outdoor unprotected location it is best to protect the equipment in a weatherproof enclosure.
4. Do not wrap the motor with plastic because condensation could form inside the motor.
5. In installations where the pump cannot be drained a 40% propylene glycol 60% water solution will protect to -50°F (-45.6°C).

### NOTICE

**Do not use anti-freeze solutions except propylene glycol, as other anti-freeze is highly toxic and will damage the pump.**

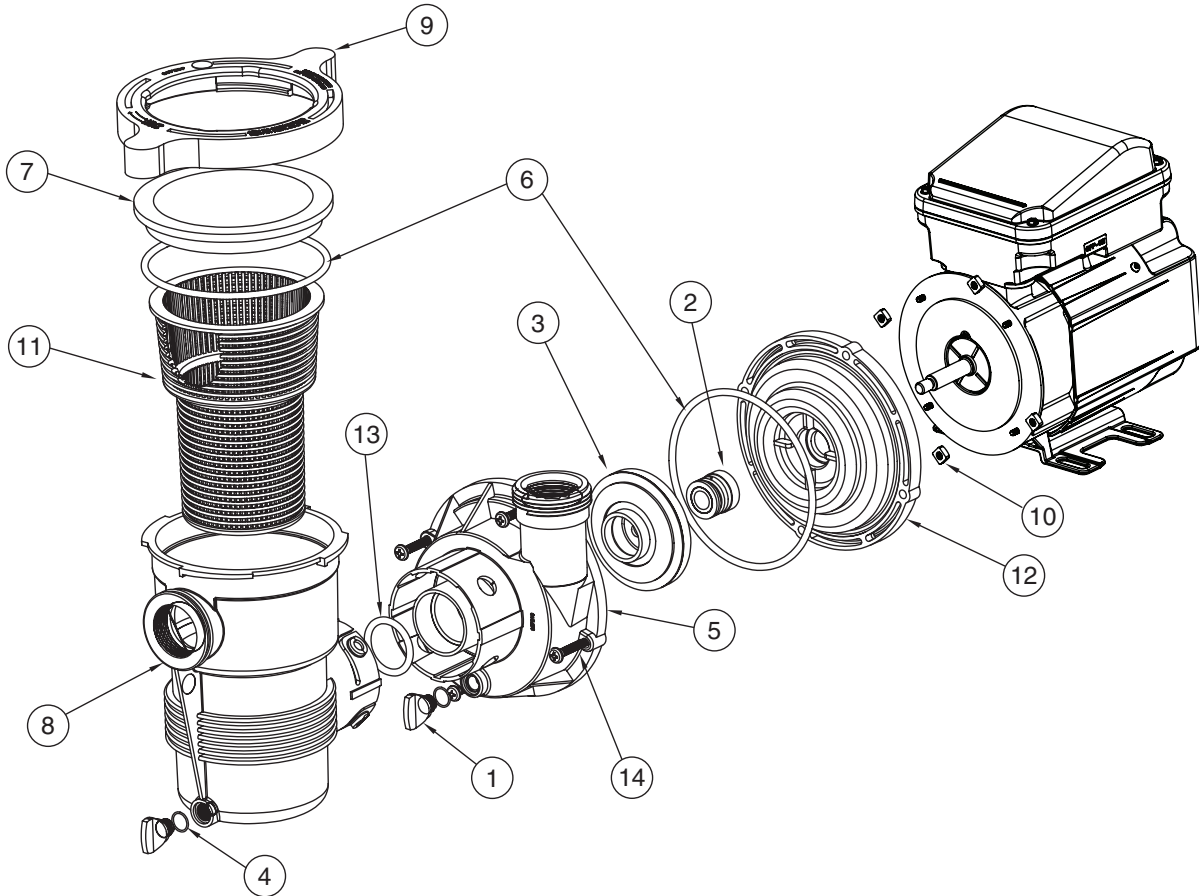
## SECTION VI. TROUBLESHOOTING GUIDE

The following are some common causes of problems that may arise.

PROBLEM	CAUSE	REMEDY
Pump will not prime.	No water in strainer pot.	Add water to pot.
	Strainer pot lid is not tight.	Tighten lid.
	Damaged lid o-ring.	Replace o-ring.
	Water level is below skimmer.	Adjust pool water level.
	Strainer basket or skimmer basket is clogged.	Clear basket.
	Closed valve in piping system.	Check all valves and open all necessary valves.
	Air leak in suction line.	Find and fix leak.
	Water level is too low and the pump cannot lift.	Adjust pump level and insure it is below water level.
Low flow — high filter pressure.	Filter is dirty.	Clean filter.
	Restriction in return line.	Open return line restriction.
Low flow — low filter pressure.	Strainer basket or skimmer basket clogged.	Clean basket.
	Clogged impeller.	Clean obstruction.
	Air leak in suction line.	Find and fix leak.
	Restriction in suction line.	Find and open restriction.
Motor does not turn.	Power switch is off.	Check power switch and reset.
	Circuit breaker has tripped.	Check circuit breaker and reset; if retriips contact electrician.
	Pump is in off-mode of a timer controlled circuit.	Check timer mode.
	Motor terminal connections are incorrect.	Have terminal connections checked by electrician.
	Motor shaft is locked by bad bearing.	Have motor bearings replaced or replace pump.
Motor over-heating.	Electrical supply connections are incorrect.	Have terminal connections checked by electrician.
	Wiring to pump is undersized.	Consult electrician to rewire pump.
	Power Company supply voltage is low.	Notify Power Company.
	Ventilation is inadequate for motor.	Remove any restrictions to air flow.

## SECTION VII. TECHNICAL DATA

### REPLACEMENT PARTS

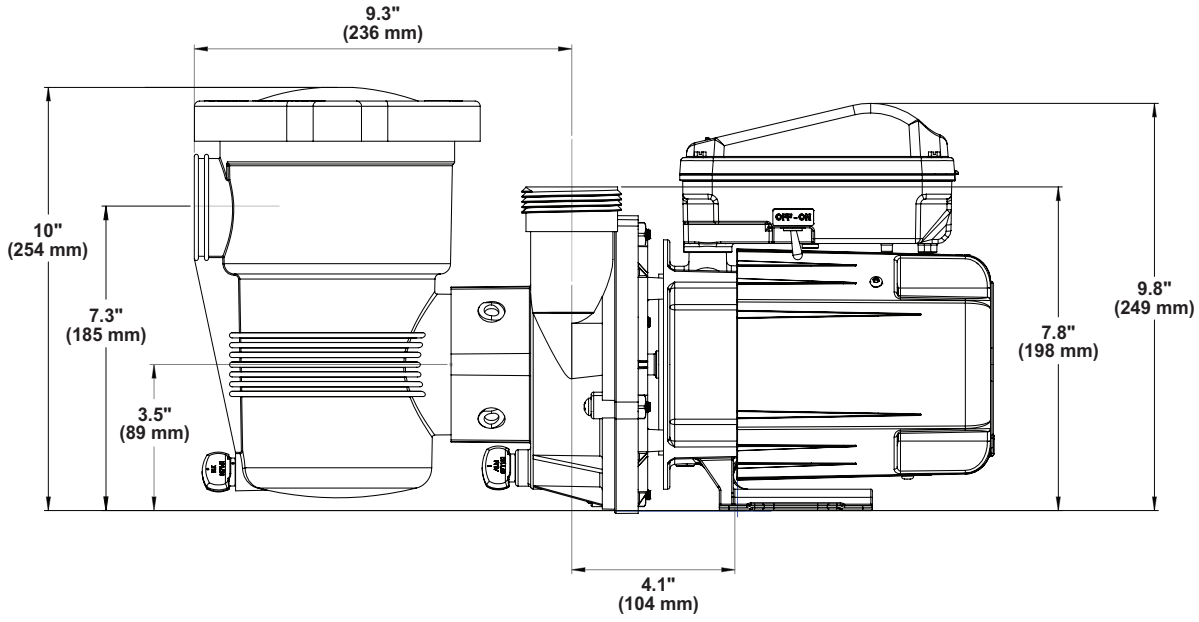


Item No.	Part No.	Description
1	357161Z	Drain Plug, 3 req.
2	354545S	Mechanical Seal
3	350017	Impeller
4	192115Z	O-ring, 3 req.
5	357213	Volute Assembly
6	357255Z	O-ring 2-357, 2 req.
7	357227	Lid
8	357228	Pot Assembly
9	357239	Clamp Ram & Cam
10	357254	1/4-20 Square Nut, 4 req.
11	355667	Basket
12	357215	Seal Plate
13	350103	O-ring
14	98209000	1/4-20 x 1.5 Machine Screw, 4 req.

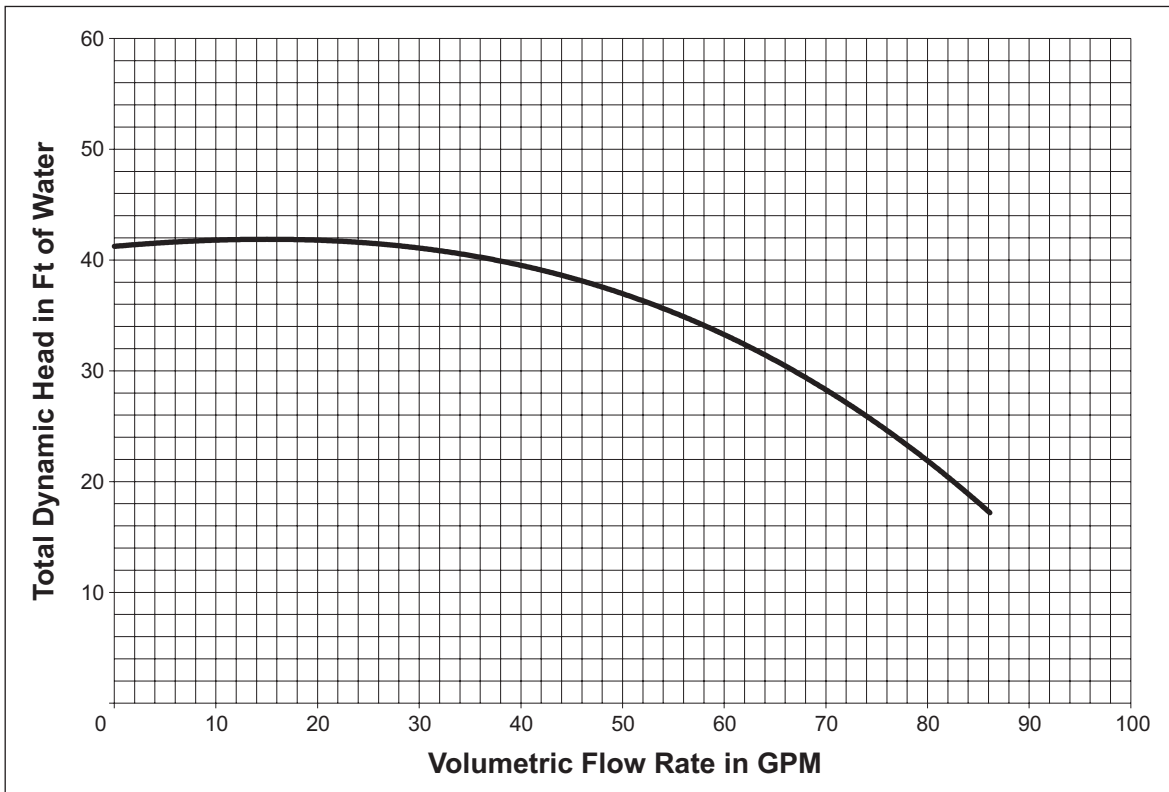
#### NOT SHOWN

79137800	Cord – 3 Ft. (0.9 m), Standard 15 Amp Plug (not for use in Canada)
155234	Cord – 3 Ft. (0.9 m), Twist Lock 15 Amp Plug (not for use in Canada)
155371	Cord - 25 ft. (7.6 m), 16 Ga. Power Supply (Only for pump models 348197, 348197SR, EC-348197, 348201, 348201SR, and EC- 348201 in Canada)

**DIMENSIONAL DATA**



**PUMP CURVES**







1620 HAWKINS AVE., SANFORD, NC 27330 • (919) 566-8000  
10951 WEST LOS ANGELES AVE., MOORPARK, CA 93021 • (805) 553-5000  
WWW.PENTAIR.COM

All indicated Pentair trademarks and logos are property of Pentair. Third party registered and unregistered trademarks and logos are the property of their respective owners. Because we are continuously improving our products and services, Pentair reserves the right to change specifications without prior notice.

© 2023 Pentair. All rights reserved. This document is subject to change without notice.



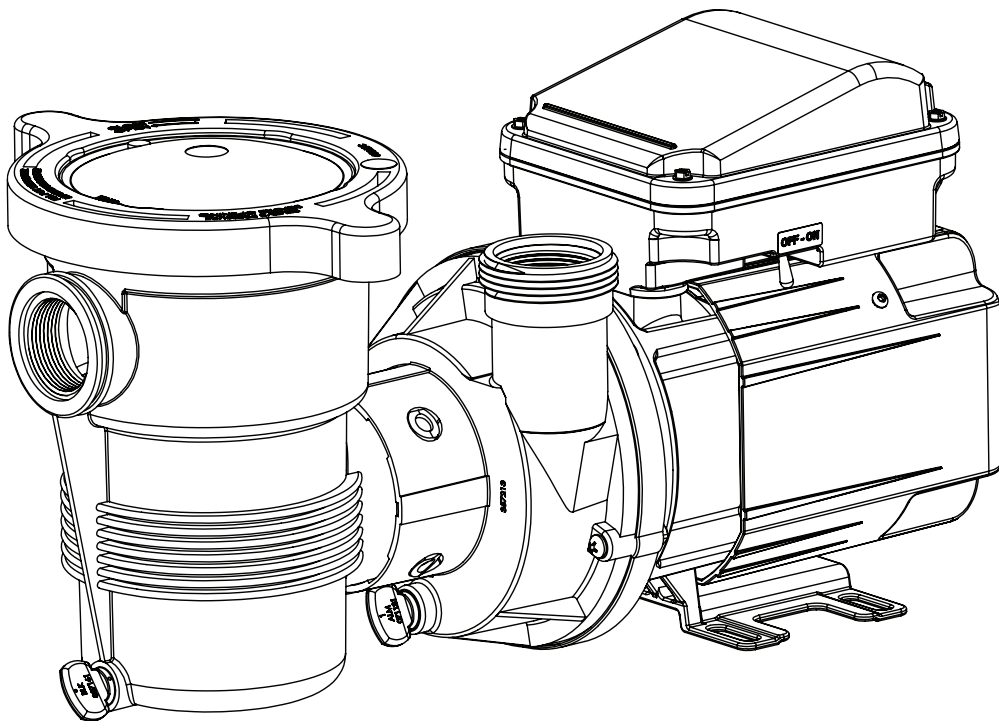
P/N 356966 REV. C 7/31/23



# OPTIFLO

## BOMBAS PARA PISCINAS ELEVADAS

ESPAÑOL



# GUÍA DE INSTALACIÓN Y DEL USUARIO

INSTRUCCIONES IMPORTANTES DE SEGURIDAD  
LEA Y SIGA TODAS LAS INSTRUCCIONES  
GUARDE ESTAS INSTRUCCIONES

## ATENCIÓN AL CLIENTE / SOPORTE TÉCNICO

---

Si tiene alguna pregunta sobre cómo realizar pedidos de piezas de repuesto de Pentair, utilice la siguiente información de contacto:

### Servicio del Cliente y Soporte Técnico, USA

(de 8 a.m. a 4:30 p.m., Horario del Este y del Pacífico)

Teléfono: (800) 831-7133

Fax: (800) 284-4151

### Sitio web

Visite [www.pentair](http://www.pentair) para encontrar información sobre los productos Pentair.

### Sanford, Carolina del Norte

(de 8 a.m. a 4:30 p.m., Horario del Este)

Teléfono: (919) 566-8000

Fax: (919) 566-8920

### Moorpark, California

(de 8 a.m. a 4:30 p.m., Horario del Pacífico)

Teléfono: (805) 553-5000 (Ext. 5591)

Fax: (805) 553-5515

## TABLA DE CONTENIDO

---

<b>Instrucciones importantes de advertencia y de seguridad .....</b>	<b>ii</b>	<b>Procedimiento para acondicionamiento para el invierno .....</b>	<b>5</b>
<b>Cómo su bomba trabaja .....</b>	<b>1</b>	<b>Guía de localización y solución de problemas ....</b>	<b>6</b>
<b>Instalación .....</b>	<b>1</b>	<b>Datos Técnicos .....</b>	<b>7</b>
Conexión a tierra .....	3	Piezas de repuesto .....	7
Conexión .....	3	Datos dimensionales .....	8
Encendido inicial .....	4	Curvas de la bomba .....	8
<b>Funcionamiento de la bomba y mantenimiento ..</b>	<b>4</b>		
<b>Procedimiento de desmontaje / montaje para el reemplazo del sello .....</b>	<b>4</b>		



# ADVERTENCIAS E INSTRUCCIONES DE SEGURIDAD IMPORTANTES DE LA BOMBA



## NOTA IMPORTANTE

Esta guía ofrece las instrucciones de instalación y operación para este producto. Consulte a Pentair por cualquier pregunta relacionada con este equipo.

**Atención, instalador:** Esta guía contiene información importante sobre la instalación, la operación y el uso seguro de este producto. Se le debe proporcionar esta información al dueño y/u operador del equipo luego de la instalación o se debe dejar esta información encima o cerca de la bomba.

**Atención, usuario:** Este manual contiene información importante que le ayudará a operar y mantener este producto. Por favor, consérvelo para futura referencia.

## LEA Y SIGA TODAS LAS INSTRUCCIONES GUARDE ESTAS INSTRUCCIONES



Este es el símbolo de alerta de seguridad. Cuando vea este símbolo en su sistema o en este manual, busque una de las siguientes palabras de señal y esté alerta a la posibilidad de que alguna persona resulte lesionada.

### PELIGRO

Advierte sobre peligros que pueden causar la muerte, serias lesiones personales o daños importantes a la propiedad si se ignoran.

### ADVERTENCIA

Advierte sobre peligros que pueden causar la muerte, serias lesiones personales o daños importantes a la propiedad si se ignoran.

### PRECAUCIÓN

Advierte sobre peligros que pueden provocar lesiones personales leves o daños a la propiedad si son ignorados.

**NOTA** indica instrucciones especiales no relacionadas con peligros.

Lea y siga cuidadosamente todas las instrucciones de seguridad en este manual y en relación a los equipos. Conserve las etiquetas de seguridad en buenas condiciones; reemplácelas si faltan o están dañadas.

Cuando instale y use estos equipos eléctricos, siempre se deben seguir las precauciones de seguridad básicas, entre las que se incluye las siguientes:

### ADVERTENCIA

No permita que los niños usen este producto.

### ADVERTENCIA

**RIESGO DE DESCARGA ELÉCTRICA.** (Para todas las unidades instaladas de manera permanente, diseñadas para usarse en circuitos derivados monofásicos de 15 o 20 amperes y 125 a 240 voltios). Conecte solamente a un circuito derivado protegido por un interruptor de circuito por falla a tierra (GFCI). Contacte a un electricista cualificado si no puede verificar que el circuito esté protegido por un GFCI. Esta unidad debe conectarse solamente a un circuito de alimentación protegido por un interruptor de circuito por falla a tierra (GFCI). Dicho GFCI debe proporcionarlo el instalador y debe ser sometido a pruebas de rutina. Para probar el GFCI, oprima el botón de prueba. El GFCI debe cortar la energía. Oprima el botón de reanudar. La energía debería restaurarse. Si el interruptor de circuito por falla a tierra (GFCI) no puede funcionar de esta manera, el GFCI es defectuoso. Si el GFCI interrumpe la alimentación a la bomba sin haberse oprimido el botón de prueba, estará fluyendo una corriente a tierra, indicando la posibilidad de un choque eléctrico. No use esta bomba. Desconecte la bomba y pídale a un representante de servicio cualificado que corrija el problema antes de usarla.

### PRECAUCIÓN

Esta bomba es para ser utilizada en piscinas permanentes y también puede usarse con jacuzzis y spas, si así se especifica. No la use con piscinas que se deban almacenar. Una piscina instalada permanentemente se construye en el suelo o en un edificio de manera tal que no se pueda desmontar para ser almacenada. Una piscina que se debe almacenar está construida con el fin de poder desmontarla fácilmente para su almacenamiento y montarla nuevamente con posterioridad.

## Advertencias generales

- Nunca se debe abrir el interior del recinto del motor del accionador. Hay un bloque de condensadores con una carga de 230 VCA incluso cuando la unidad no está conectada a la fuente de alimentación.
- La bomba no es sumergible.
- La bomba puede alcanzar caudales de salida elevados; tenga cuidado al instalar y programar el límite potencial de rendimiento de las bombas con equipos antiguos o dudosos.
- Los códigos requeridos para la conexión eléctrica varían dependiendo del país, estado o municipalidad local. Instale el equipo de acuerdo al código de electricidad nacional y todos los demás códigos y normas aplicables.
- Antes de efectuar el mantenimiento de la bomba; apague la alimentación de energía eléctrica a la bomba desconectando el circuito principal que va hacia la bomba.
- Este artefacto no debe ser utilizado por personas (incluyendo niños) con capacidades físicas, sensoriales o mentales reducidas, o que no tengan la experiencia y los conocimientos, a menos que hayan sido supervisados o instruidos en el uso del artefacto por una persona responsable por su seguridad.

### PELIGRO

EL INCUMPLIMIENTO DE TODAS LAS INSTRUCCIONES Y ADVERTENCIAS PUEDE DAR COMO RESULTADO LESIONES CORPORALES SERIAS O LA MUERTE. **ESTA BOMBA DEBE SER INSTALADA Y MANTENIDA ÚNICAMENTE POR UN PROFESIONAL DE MANTENIMIENTO DE PISCINAS CUALIFICADO. LOS INSTALADORES, OPERADORES DE PISCINAS Y DUEÑOS DEBEN LEER ESTAS ADVERTENCIAS Y TODAS LAS INSTRUCCIONES EN EL MANUAL DEL USUARIO ANTES DE USAR ESTA BOMBA. ESTAS ADVERTENCIAS Y EL MANUAL DEL USUARIO DEBEN QUEDARSE CON EL DUEÑO DE LA PISCINA.**

### PELIGRO

PELIGRO DE ATASCAMIENTO: ¡MANTÉNGASE ALEJADO DEL DRENAJE PRINCIPAL Y DE TODAS LAS SALIDAS DE SUCCIÓN!



ESTA BOMBA PRODUCE ALTOS NIVELES DE SUCCIÓN Y CREA UN FUERTE VACÍO EN EL DRENAJE PRINCIPAL, EN LA PARTE INFERIOR DE LA MASA DE AGUA. LA SUCCIÓN ES TAN FUERTE QUE PUEDE ATRAPAR A ADULTOS O NIÑOS BAJO EL AGUA SI SE ENCUENTRA PRÓXIMOS A UN DRENAJE O A UNA CUBIERTA O REJILLA ROTA O SUELTA DEL DRENAJE.

EL USO DE CUBIERTAS INADECUADAS O PERMITIR EL USO DE LA PISCINA O EL SPA CUANDO HAY CUBIERTAS AUSENTES, FISURADAS O ROTAS PUEDE DAR COMO RESULTADO EL ATASCO DE ALGUNA PARTE DEL CUERPO O ARTICULACIÓN, ENREDO DE CABELLO, ATASCO DEL CUERPO, EVISCERACIÓN Y/O LA MUERTE.

La succión en el drenaje o salida puede causar:

**Atascamiento de un miembro:** Cuando un miembro del cuerpo es succionado o insertado en una abertura y produce una obstrucción o atrapamiento mecánico. Este peligro se presenta cuando la cubierta de un drenaje falta, está rota, suelta, fisurada o incorrectamente asegurada.

**Enredo de cabellos:** Cuando el cabello se enreda o anuda en la cubierta del drenaje y atrapa al nadador debajo del agua. Este peligro se presenta cuando la velocidad del flujo de la cubierta es demasiado baja para la(s) bomba(s).

**Atascamiento del cuerpo:** Cuando una parte del cuerpo queda atrapada contra la cubierta del drenaje manteniendo al nadador debajo del agua. Este peligro se presenta cuando la cubierta del drenaje falta, está rota o cuando la velocidad de flujo de la cubierta no es lo suficientemente alta para la(s) bomba(s).

**Evisceración/desentrañamiento:** Cuando una persona se sienta en una piscina abierta (particularmente una piscina de chapoteo para niños) o en la salida de un spa y se aplica la succión directamente a los intestinos, causando un daño intestinal severo. Este peligro se presenta cuando la cubierta del drenaje falta, está suelta, fisurada o incorrectamente asegurada.

# ADVERTENCIAS E INSTRUCCIONES DE SEGURIDAD IMPORTANTES DE LA BOMBA

**Atrapamiento mecánico:** Cuando las joyas, el traje de baño, los accesorios para el cabello, los dedos de manos o pies, o un nudillo se atascan en la abertura de una salida o de una cubierta de drenaje. Este peligro se presenta cuando la cubierta del drenaje falta, está suelta, rota, fisurada o incorrectamente asegurada.

**NOTA: TODA LA FONTANERÍA DE SUCCIÓN DEBE INSTALARSE EN CONFORMIDAD CON LOS ÚLTIMOS CÓDIGOS, ESTÁNDARES Y GUÍAS NACIONALES Y LOCALES.**

**ADVERTENCIA** PARA MINIMIZAR EL RIESGO DE LESIONES DEBIDO AL PELIGRO DE ATASCO POR SUCCIÓN:

- Para cada drenaje, se debe usar una cubierta de succión anti-atascos apropiadamente instalada y asegurada y aprobada por el ANSI/ASME A112.19.8.
- Cada cubierta de succión debe ser instalada al menos a tres pies (3') de distancia, medidos desde el punto más cercano hasta el punto más cercano.
- Inspeccione todas las cubiertas con regularidad en busca de fisuras, daños e intemperización avanzada.
- Si una cubierta está suelta, fisurada, dañada, rota o ausente, reemplácela con una cubierta certificada apropiada.
- Reemplace la cubierta del drenaje según sea necesario. Las cubiertas del drenaje se deterioran con el tiempo debido a la exposición a la luz solar y el clima.
- Evite que el cabello, los miembros superiores e inferiores o el cuerpo estén en proximidad cercana a las cubiertas de succión, el drenaje o la salida de la piscina.
- Deshabilite las salidas de la succión o vuelva a configurar las entradas de retorno.

**La Ley de Seguridad para Piscinas y Spas Virginia Graeme Baker (VGB)** crea nuevos requerimientos para los dueños y operadores de piscinas y spas comerciales. Las piscinas o spas comerciales construidos el 19 de diciembre de 2008 o después de esa fecha, deberán utilizar:

(A) Un sistema de drenaje principal sin capacidad de aislamiento con cubiertas de salida de succión que cumplan con el ASME/ANSI A112.19.8a en relación a aditamentos de succión para uso en piscinas, piscinas de chapoteo, spas y jacuzzis, y, ya sea:

- (i) Un sistema de liberación de vacío de seguridad (SVRS) que cumpla con el estándar ASME/ANSI A112.19.17 de sistemas de seguridad de liberación del vacío (SVRS) fabricados para sistemas de piscina, spa, jacuzzi y piscina de niños residenciales y comerciales, y/o la especificación del estándar ASTM F2387 para sistemas de seguridad de liberación del vacío (SVRS) fabricados para piscinas, spas y jacuzzis o
- (ii) Un sistema de ventilación limitado por succión debidamente diseñado y comprobado o
- (iii) Un sistema de apagado de bomba automático.

Las piscinas o spas comerciales construidos antes del 19 de diciembre de 2008, con una sola salida de succión sumergida deberán usar una cubierta de la salida de la succión que cumpla con el ASME/ANSI A112.19.8a y, ya sea:

- (A) Un sistema de liberación de vacío de seguridad (SVRS) que cumpla con las normas ASME/ANSI A112.19.17 y/o ASTM F2387, o
- (B) Un sistema de ventilación limitado por succión debidamente diseñado y comprobado, o
- (C) Un sistema de apagado de bomba automático, o
- (D) Bocas sumergidas desactivadas, o
- (E) Las salidas de succión se deben configurar nuevamente como entradas de retorno.

**Para la instalación de los controles eléctricos en la plataforma del equipo (interruptores de encendido/apagado, temporizadores y centro de carga automatizada)**

**PRECAUCIÓN**

Instale todos los controles eléctricos en la plataforma del equipo, como los interruptores de encendido/apagado (ON/OFF), los cronómetros y los sistemas de control, etc. para permitir la operación (arranque, cierre o mantenimiento) de cualquier bomba o filtro para que el usuario no coloque ninguna porción de su cuerpo sobre o cerca de la tapa coladora de la bomba, la tapa del filtro o los cierres de

la válvula. Esta instalación debe otorgar al usuario suficiente espacio para mantenerse alejado del filtro y la bomba durante el arranque del sistema, el cierre o el mantenimiento del filtro del sistema.

**ADVERTENCIA** Debe haber un interruptor de cierre de emergencia claramente etiquetado para la bomba en un lugar obvio y de fácil acceso. Asegúrese que los usuarios sepan dónde está y cómo usarlo en caso de emergencia.

**PELIGRO**



**PRESIÓN PELIGROSA: MANTENGA DISTANCIA DE LA BOMBA Y EL FILTRO DURANTE EL ARRANQUE**

Los sistemas de circulación funcionan bajo alta presión. Cuando se hace mantenimiento a una parte del sistema de circulación (es decir, el anillo de bloqueo, la bomba, el filtro, las válvulas, etc.), el aire puede ingresar al sistema y presurizarse. El aire presurizado puede hacer

que las válvulas y la tapa del filtro de la cubierta de la carcasa de la bomba se separen violentamente, lo que puede ocasionar lesiones personales severas o la muerte. La tapa del tanque del filtro y la cubierta del colador deben estar correctamente aseguradas para evitar la separación violenta. Manténgase alejado de los equipos del sistema de circulación de aire cuando encienda o haga arrancar la bomba.

Antes de efectuar el mantenimiento a los equipos, tome nota de la presión del filtro. Asegúrese de que todos los controles estén configurados para garantizar que el sistema no arranque inadvertidamente durante el mantenimiento. Apague toda alimentación a la bomba. **IMPORTANTE: Coloque la válvula manual de alivio de aire del filtro en posición abierta y espere que se alivie toda la presión que se encuentra en el sistema.**

Antes de hacer arrancar el sistema, abra completamente la válvula manual de alivio de aire y coloque todas las válvulas del sistema en la posición abierta para permitir que el agua fluya libremente desde el tanque y de regreso a él. Manténgase alejado de todos los equipos y encienda la bomba.

**IMPORTANTE: No cierre la válvula manual de alivio de aire del filtro hasta que toda la presión haya sido descargada de la válvula y que aparezca una corriente constante de agua.** Observe el medidor de presión del filtro y asegúrese de que no sea más alta que la condición previa al mantenimiento.

**Información de instalación general**

- Todo el trabajo debe realizarlo un profesional de servicio cualificado, y debe cumplir con todos los códigos nacionales, estatales y locales.
- Instale de manera tal que haya drenaje del compartimiento para los componentes eléctricos.
- Estas instrucciones contienen información para una variedad de modelos de bombas y por tanto algunas instrucciones podrían no aplicarse a un cierto modelo específico. Todos los modelos han de usarse en piscinas. La bomba funcionará correctamente solamente si tiene el tamaño adecuado en relación a la aplicación y si está apropiadamente instalada.

**ADVERTENCIA**

Las bombas de tamaño incorrecto o mal instaladas o que se usen con aplicaciones diferentes a las que fueron diseñadas para la bomba pueden provocar graves lesiones personales o la muerte. Estos riesgos pueden incluir, entre otros, choques eléctricos, incendios, inundaciones, atascamientos por succión o lesiones graves o daños a la propiedad provocados por una falla estructural de la bomba u otro componente del sistema.

**ADVERTENCIA**

La bomba puede producir altos niveles de succión del lado de la succión del sistema de conexiones. Estos niveles elevados de succión pueden representar un riesgo si una persona se encuentra muy cerca de las aberturas de succión. La persona puede lesionarse seriamente debido a este alto nivel de vacío, o puede ahogarse. Es absolutamente crítico que las conexiones de succión se instalen de acuerdo con los códigos nacionales y locales para piscinas más recientes.

**Las bombas y los motores de repuesto con velocidad única y un (1) HP total o superior no se pueden vender, poner a la venta o instalar en un grupo residencial para su uso en California, Título 20 del CCR, secciones 1601-1609.**

Las advertencias y las instrucciones de seguridad para las bombas y otros productos relacionados de Pentair Water Pool and Spa, Inc. se encuentran disponibles en:

<http://www.pentairpool.com/pool-owner/safety-warnings/> o llame al (800) 831-7133 para obtener copias adicionales y gratuitas de las instrucciones. Consulte en <http://www.pentairpool.com/pool-owner/safety-warnings/> para ver las instrucciones de advertencia y seguridad relacionadas con este producto.

## SECCIÓN I. CÓMO SU BOMBA TRABAJA

Su bomba centrífuga está diseñada para funcionar por muchos años con el mantenimiento apropiado. La carcasa de la bomba, la placa de sellado, el recipiente de pelos y pelusa, y el impulsor están hechos de materiales termoplásticos de alta calidad. Estos materiales han sido seleccionados por su resistencia a la corrosión. Cuando su bomba es instalada, operada y mantenida de acuerdo a estas instrucciones, le proporcionará años de servicio.

Su bomba centrífuga es movida por un motor eléctrico. El motor está directamente conectado al impulsor de la bomba. A medida que el motor eléctrico gira hace que el impulsor gire y esto hace que el agua fluya. El agua fluye hacia la entrada del recipiente de pelos y pelusa y a través del ensamblaje de la canasta para prefiltrar las partículas grandes. Luego el flujo de agua entra al centro de la carcasa de la bomba. Si la bomba no incluye el ensamblaje del recipiente de pelos y pelusa, el flujo de agua simplemente entra al centro de la carcasa de la bomba. El flujo de agua va a través del impulsor y sale hacia afuera a través del puerto de descarga de la bomba.

## SECCIÓN II. INSTALACIÓN

1. Verifique la caja de cartón para evidencia de daños debido a manejo brusco durante el envío. Si la caja de cartón o cualquier componente de la bomba han sufrido daño, notifíquese inmediatamente al acarreador.
2. Después de la inspección, remueva cuidadosamente la bomba de la caja de cartón.
3. La bomba debe estar asegurada a una base plana sólida, lo suficientemente alta para prevenir inundación del motor. Una ubicación protegida es mejor, pero hay que asegurarse de permitir la ventilación adecuada.
4. Proporcione espacio y alumbrado para el acceso durante el mantenimiento de rutina. No instale controles eléctricos directamente sobre la bomba.
5. La bomba debe ser instalada tan cerca como sea práctico a la piscina o al spa. Evite instalar la bomba **sobre el nivel del agua**. Elevaciones de succión de más de 6 pulgadas (15.2 cm) causarán períodos largos de cebado, y potencialmente dañarán la bomba.
6. La ubicación debe proporcionar desagüe adecuado del suelo para prevenir inundación.
7. Cuando esté instalando su bomba, recuerde proveer válvulas u otros medios para desconectar la succión de la bomba y descargarla para poder brindarle servicio.
8. Nunca almacene químicos de piscinas dentro de un área de 10 pies (3.1 m) del filtro y la bomba de su piscina. Los químicos de piscina son corrosivos y siempre deben ser guardados en un lugar fresco, seco y bien ventilado.

### AVISO

Las emanaciones químicas y/o derrames pueden causar ataques corrosivos severos a los componentes estructurales del filtro y la bomba. Componentes del filtro o la bomba que estén estructuralmente debilitados pueden causar que anexos del filtro, la bomba o la válvula vuelen y podría causar daños corporales severos o daños a la propiedad.

9. Monte la tubería y los adaptadores de tubería a la bomba y a la válvula. Toda la tubería debe cumplir con los códigos estatales de tubería y sanidad.
10. Use cinta de sellado de rosca en todas las conexiones machos de la tubería y los adaptadores. Use solamente compuestos de selladores de tuberías adecuados para tubería plástica. Soporte la tubería para prevenir tensión en el filtro, la bomba o la válvula. **NO UTILICE PRODUCTOS DERIVADOS DE PETRÓLEO.**
11. Evite sobreajustar las roscas de la tubería cuando conecte los adaptadores a la bomba. El procedimiento correcto es aplicar un sellador de tubería a la rosca y luego instalar ajustado a mano más 1-½ vueltas. **NO SOBREAJUSTE.**
12. Los tendidos largos de tuberías y los codos restringen el flujo. Para mejor eficiencia utilice los menos posibles adaptadores, tubería de diámetro grande (al menos 1-½") y ubique el equipo lo más cercano posible a la piscina. La línea de succión de la bomba no debe ser más pequeña que el tamaño del tubo en la entrada de la bomba.

13. Es esencial que la línea de succión esté libre de fugas y trampas de aire.

 **AVISO**

La obstrucción de los adaptadores de succión puede causar lesiones severas o fatales debido a ahogamiento. No permita que los niños utilicen este equipo para piscinas / spa.

14. Los adaptadores de succión deben cumplir con los Estándares ASME/ANSI A 112.19.8 M. Utilice adaptadores de doble succión.
15. La máxima presión de operación de esta unidad es 25 libras por pulgada cuadrada (1.7 bar). Nunca opere esta bomba sobre esta presión.
- Esta bomba no está hecha para ser operada en serie con otras bombas.

 **AVISO**

Para reducir el riesgo de lesión, no permita que los niños utilicen este producto.

16. La instalación eléctrica de esta bomba debe ser llevada a cabo por un técnico electricista conforme al Código Eléctrico Nacional o su código eléctrico local.

 **AVISO**

Nunca trabaje con la bomba mientras esté corriendo o si la alimentación eléctrica aun está conectada; el voltaje peligroso puede causar lesión severa o fatal. Siempre se debe instalar un interruptor de falla a tierra apropiado a la fuente de suministro eléctrico de esta unidad.

17. La instalación eléctrica del motor de la bomba debe ser hecha de acuerdo con el diagrama del cableado proporcionado con el motor. El hacer la instalación eléctrica del motor con el suministro de voltaje incorrecto causará daños al motor y anulará la garantía.
18. La instalación eléctrica al motor debe ser mantenida lo más corta posible y lo suficientemente larga para no causar una caída excesiva de voltaje. Utilice la tabla de tamaño del cable como guía para seleccionar el tamaño mínimo del conductor.
19. Instale la toma a tierra y el cable de conexión conforme a los requisitos del Código Eléctrico Nacional.

## CONEXIÓN A TIERRA

20. Conecte a tierra el motor de forma permanente. Utilice el terminal verde proporcionado bajo la cubierta del motor o la placa de acceso; utilice el tamaño y el tipo de cable requerido por el código. Conecte el terminal de toma a tierra del motor a la toma a tierra del sistema eléctrico. En circuitos conectados por cable, verifique que tengan la conexión a tierra apropiada.

## CONEXIÓN - (para instalaciones eléctricas permanentes de bombas)

21. El Código Eléctrico Nacional requiere que el motor esté eléctricamente conectado a una piscina que esté permanentemente instalada o a una estructura de un spa/jacuzzi por medio de un conductor sólido de cobre no más pequeño de 8 AWG. El cable de conexión debe estar conectado desde el cable de conexión accesible en el casco del motor a todas las partes de metal de la piscina, estructura del spa o jacuzzi y a todo equipo eléctrico, tubería de conducción y tubería de metal localizadas dentro de un área de 5 pies (1.5 m) de las paredes interiores de la piscina, spa o jacuzzi. Una orejeta para conexión a tierra es proporcionada en el exterior del casco del motor para este propósito.

### **AVISO**

(Para unidades conectadas por cable y enchufe) No entierre el cable. Ubique el cable para minimizar daños causados por cortadoras de césped, podadoras de setos, y otros equipos.

### **AVISO**

(Para unidades conectadas por cable y enchufe) Para reducir el riesgo de descarga eléctrica, reemplace inmediatamente el cable dañado.

### **AVISO**

(Para unidades conectadas por cable y enchufe) Para reducir el riesgo de descarga eléctrica, no utilice una extensión de cable para conectar la unidad al suministro eléctrico, provea una toma apropiadamente localizada.

### **PRECAUCIÓN**

No instale dentro del área de un recinto exterior o debajo de la cubierta de un jacuzzi o spa a menos que esté marcado para este propósito.

## ENCENDIDO INICIAL:

1. Libere toda la presión del sistema y abra todos los sangradores de aire en un sistema totalmente hidráulico antes de poner en marcha la bomba. Ver el manual del propietario del filtro.
2. Asegúrese que todos los adaptadores, abrazaderas, cierres y acopladores estén apretados y de acuerdo a las recomendaciones del fabricante del equipo.
3. Abra la succión y descargue la válvula para permitir el flujo libre del agua. El origen del agua es más alto que la bomba en las bombas de succión inundada con recipientes para el filtro. El agua fluirá al recipiente para el filtro de la bomba y el recipiente se llenará con el agua. En las bombas sin recipiente para el filtro, el agua llenará la carcasa de la bomba.
4. En los sistemas de succión no inundada la abrazadera de la tapa del recipiente tendrá que ser removida rotando la tapa hacia la izquierda hasta que se detenga y levantando la abrazadera.
5. El recipiente del filtro de la bomba debe estar lleno de agua hasta la abertura de la succión en la bomba.
6. Es una buena práctica lubricar la junta tórica de la tapa con lubricante de silicón cada vez que la tapa es retirada. La junta tórica debe ser limpiada e inspeccionada cada vez que el recipiente del filtro es abierto.
7. La tapa debe ser colocada nuevamente sobre el recipiente alineando las orejas de la abrazadera con las ranuras en el recipiente del filtro. Presione hacia abajo la tapa y la abrazadera y déle vuelta a la abrazadera hacia la derecha para engranar.
8. La bomba está ahora lista para cebar. Encienda el motor y la bomba cebará. El tiempo para cebar dependerá de la elevación de la succión y la distancia y tamaño de la tubería de succión. Apague la bomba si ésta no ceba dentro de un plazo de cinco minutos y refiérase a la sección en este manual de la Guía de Localización y Solución de Problemas.

### NOTIFICACIÓN

Nunca corra la bomba sin agua. Correr la bomba sin agua podría dañar los sellos y la carcasa de la bomba. Esto podría permitir fuga de agua e inundación.

## SECCIÓN III. FUNCIONAMIENTO DE LA BOMBA Y MANTENIMIENTO

### AVISO

NO ABRA el recipiente del filtro si la bomba no comienza a cebar o si la bomba ha estado funcionando sin agua en el recipiente del filtro. Las bombas operadas bajo estas circunstancias podrían experimentar una acumulación de presión de vapor y podrían contener agua muy caliente. Abrir la bomba podría causar graves lesiones corporales. A fin de evitar la posibilidad de una lesión corporal, asegúrese que las válvulas de succión y descarga estén abiertas y que la temperatura del recipiente del filtro esté fría al tacto, luego abra con extrema precaución.

La canasta del filtro en la bomba debe ser inspeccionada y limpiada dos veces a la semana. Retire la tapa clara y la canasta, y limpie los escombros de la canasta. Inspeccione la junta tórica; si está dañada, reemplace. El sello de la bomba no requiere lubricación. Refiérase a centros de servicios de motor para servicio y reparación del motor.

## SECCIÓN IV. PROCEDIMIENTO DE DESMONTAJE / MONTAJE PARA EL REEMPLAZO DEL SELLO

### AVISO

Nunca trabaje con la bomba mientras esté corriendo o si la alimentación eléctrica aun está conectada. Voltaje peligroso puede causar lesión severa o fatal.

1. Detenga la bomba y libere la presión del sistema.
2. Desconecte el suministro de electricidad del motor en el cortacircuitos.

3. Cierre las válvulas de succión y descarga.
4. Tenga extremo cuidado cuando maneje el sello mecánico. Las superficies de apareamiento del sello son pulidas y pueden dañarse fácilmente.
5. El sello mecánico puede ser cambiado sin tener que desconectar la tubería quitando los 4 pernos (ver artículo 14 en la página 7) y jalando el motor con la placa de sellado de la bomba y el montaje del impulsor lejos de la parte delantera de la carcasa de la bomba.
6. Remueva el impulsor y la parte que rota del sello sujetando el eje del motor y girando el impulsor hacia la izquierda al estar de frente a la extensión del eje en el motor.
7. La parte que rota del sello puede ahora ser removida del impulsor. Limpie el eje del impulsor y lubrique con agua jabonosa. Limpie la superficie brillante del sellado de carbón del sello mecánico nuevo con una hoja de papel limpia para remover impresiones digitales aceitosas o cualquier otro material foráneo. El nuevo sello rotativo puede ser presionado de regreso al Impulsor.
8. Para retirar el asiento fijo de cerámica del sello, primero afloje los cuatro pernos del motor que corren a través del motor entero hasta la placa de sellado. Remueva del motor la placa de sellado. Presione el asiento de cerámica y la junta de goma fuera de la placa de sellado.
9. Limpie el área de la placa de sellado y lubrique con agua jabonosa. Presione el sello de cerámica nuevo y la junta hacia dentro de la placa de sellado, asegurándose que esté completamente asentada. Limpie la superficie del sellado de cerámica con una hoja de papel limpia para remover impresiones digitales aceitosas o cualquier otro material foráneo.
10. Coloque la placa de sellado en el motor y cuidadosamente alinee los cuatro pernos del motor. Asegure la placa de sellado al motor teniendo mucho cuidado de no sobreajustar los pernos. Lleve gradualmente los pernos hasta su ajuste final moviéndose en un patrón entrecruzado.
11. Verifique la posición del porte del sello mecánico en la placa de sellado y asegúrese que el eje del motor esté en el centro del porte del sello.
12. Enrosque el impulsor con el nuevo sello rotativo al eje del motor. Gire el eje del motor para asegurarse que el impulsor no esté tocando la placa de sellado.
13. Limpie la junta tórica de la placa de sellado y verifique para asegurarse que esté en su posición. Coloque nuevamente la placa del motor y de sellado en la parte delantera de la carcasa de la bomba y atornille los cuatro pernos. Lleve gradualmente los pernos hasta su ajuste final moviéndose en un patrón entrecruzado.
14. Refiérase a los procedimientos de encendido inicial para poner en marcha la bomba nuevamente.

## SECCIÓN V. PROCEDIMIENTO PARA ACONDICIONAMIENTO PARA EL INVIERNO

### NOTIFICACIÓN

Permitir que el agua se congele en la bomba dañará la bomba y podría causar daños potenciales de agua / inundación y daños a la propiedad.

1. Vacíe toda el agua de la carcasa de la bomba y de la tubería cuando temperaturas de congelación son esperadas. Un tapón de drenaje es proporcionado para drenar la bomba. Si la bomba tiene un recipiente para el filtro también debe ser removido junto con el tapón de drenaje de la carcasa de la bomba. Si la bomba no tiene un puerto de filtro remueva solamente el tapón de la carcasa de la bomba.
2. Si la bomba puede ser retirada y colocada en un lugar seco en el interior se debe hacer.
3. Para una ubicación en el exterior sin protección es mejor proteger el equipo en una cubierta resistente a la intemperie.
4. No envuelva el motor con plástico porque se podría crear condensación desde el interior del motor.
5. En una instalación en donde la bomba no puede ser drenada se debe usar una solución a 40% propileno 60% glicol, la cual protegerá hasta temperaturas de -50°F (-45.6°C).

### NOTIFICACIÓN

No utilice soluciones anticongelantes con excepción de propileno glicol, ya que los demás anticongelantes son altamente tóxicos y dañaran la bomba.

## SECCIÓN VI. GUÍA DE LOCALIZACIÓN Y SOLUCIÓN DE PROBLEMAS

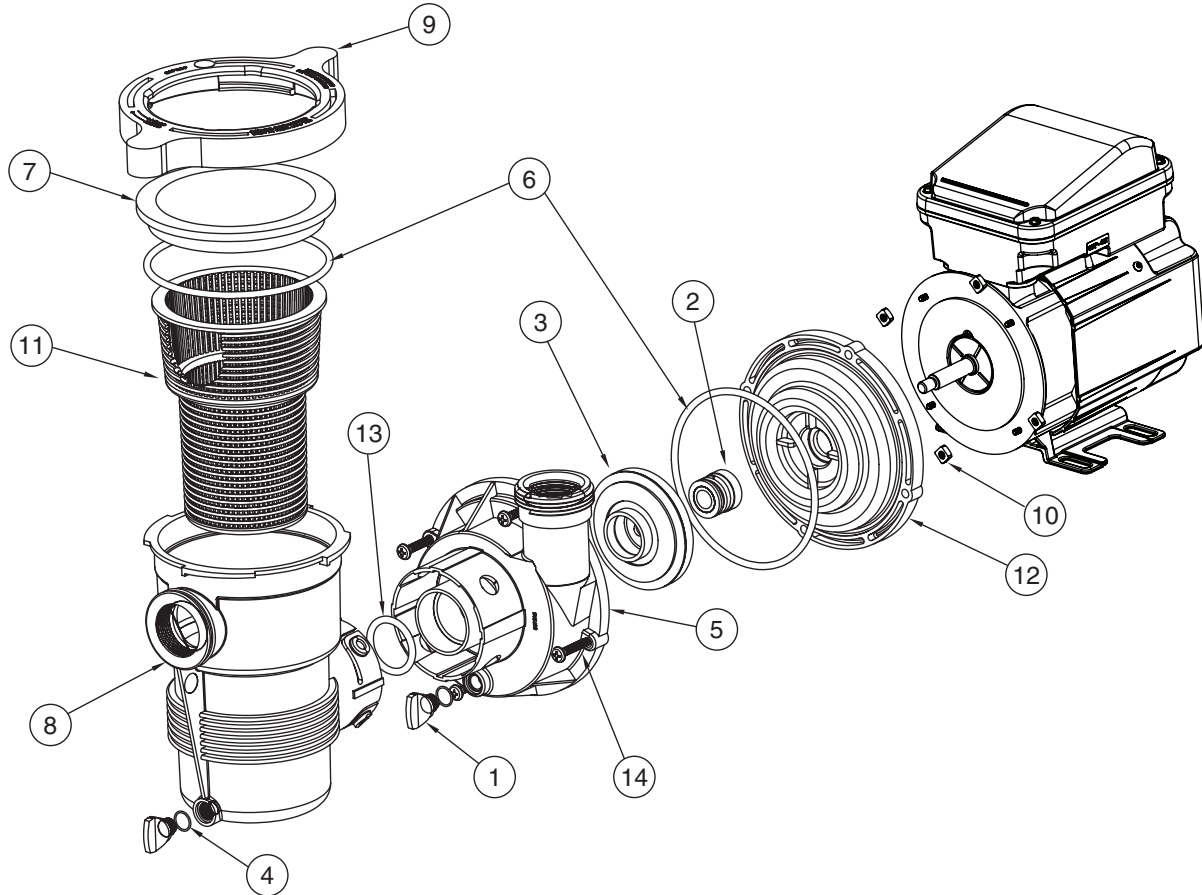
Los siguientes son algunas causas comunes de los problemas que pueden presentarse.

PROBLEMA	CAUSA	SOLUCIÓN
La bomba no bombea	No hay agua en el recipiente del filtro.	Échele agua al recipiente.
	La tapa del recipiente del filtro no está apretada.	Apriete la tapa.
	La junta tórica está dañada.	Reemplace la junta tórica.
	El nivel del agua está por debajo del skimmer.	Ajuste el nivel de agua de la piscina.
	La canasta del filtro o la canasta del skimmer está obstruida.	Despeje la canasta.
	Válvula cerrada en el sistema de tubería.	Verifique todas las válvulas y abra todas las válvulas que sean necesarias.
	La bomba está en la velocidad lenta. (unidades de dos velocidades solamente)	Ajuste a velocidad alta.
	Fuga de aire en la línea de succión.	Busque y corrija la fuga.
Flujo bajo – presión del filtro alta.	El nivel de agua es muy bajo y la bomba de puede levantar.	Ajuste el nivel de la bomba y asegúrese que está por debajo del nivel del agua.
	Filtro está sucio.	Limpe el filtro.
Flujo bajo – presión del filtro baja.	Restricción en la línea de retorno.	Abra la restricción de la línea de retorno.
	La canasta del filtro o la canasta del skimmer está obstruida.	Limpe la canasta.
El motor no da vueltas.	Impulsor obstruido.	Limpe la obstrucción.
	Fuga de aire en la línea de succión.	Busque y corrija la fuga.
	Restricción en la línea de succión.	Busque y abra la restricción.
	Interruptor de encendido está apagado.	Verifique el interruptor de encendido y vuelva a arrancar.
Motor se está sobrecalentando.	El cortacircuito se ha desconectado.	Verifique el cortacircuito y restablézcalo, si se vuelve a desconectar comuníquese con un electricista.
	La bomba está en el modo de apagado en un temporizador de circuito controlado.	Verifique el modo del temporizador.
	Las conexiones de los terminales del motor están incorrectas.	Haga que un electricista verifique las conexiones de los terminales.
	El eje del motor está trabado debido a un cojinete defectuoso.	Haga que le reemplacen los cojinetes del motor o reemplace la bomba.
	Las conexiones eléctricas de suministro están incorrectas.	Haga que un electricista le verifique las conexiones de los terminales.
Motor se está sobrecalentando.	El cableado hacia la bomba esta por debajo del tamaño.	Consulte con un electricista para que le cambie la instalación eléctrica.
	El suministro del voltaje de parte de la compañía eléctrica está bajo.	Notifíquese a la compañía eléctrica.
	La ventilación es inadecuada para el motor.	Remueva cualquier restricción al flujo de aire.



## SECCIÓN VII. DATOS TÉCNICOS

### PIEZAS DE REPUESTO

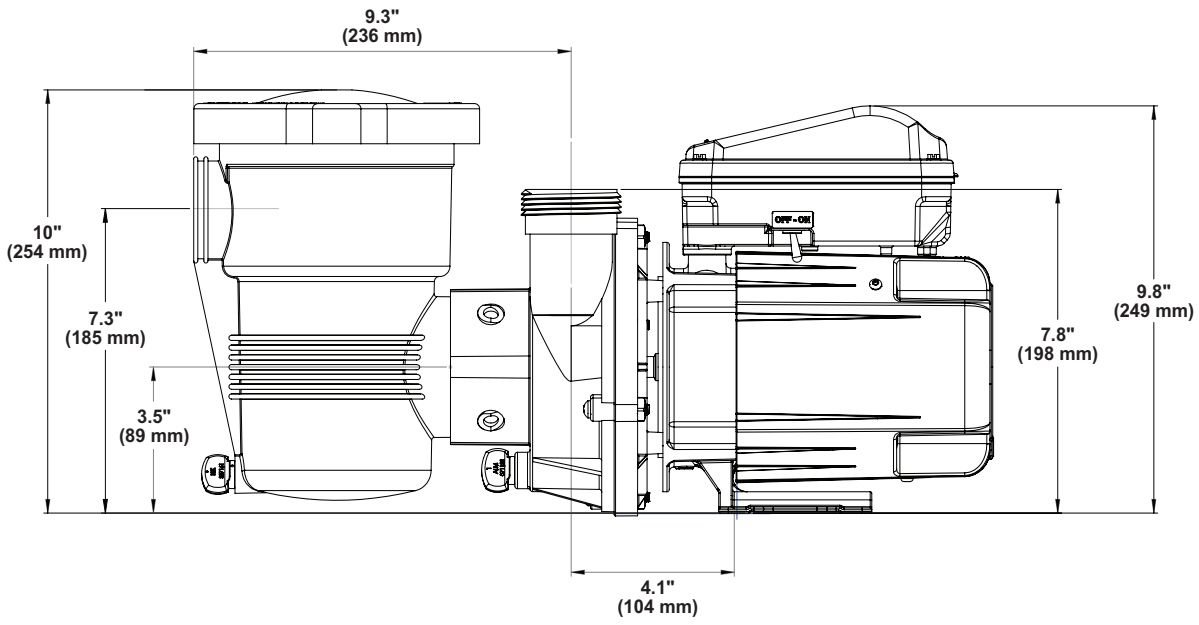


Nº de Artículo	Nº de Pieza	Descripción
1	357161Z	Tapón de Drenaje, 3 req.
2	354545S	Sello Mecánico
3	350017	Impulsor
4	192115Z	Junta Tórica, 3 req.
5	357213	Montaje Recipiente
6	357255Z	Junta Tórica 2-357, 2 req.
7	357227	Tapa
8	357228	Montaje Recipiente
9	357239	Abrazadera
10	357254	Tuerca Cuadrada de 1/4-20, 4 req.
11	355667	Canasta
12	357215	Placa de Sellado
13	350103	Junta tórica.
14	98209000	Tornillo Mecánico de 1/4-20 x 1.5, 4 req.

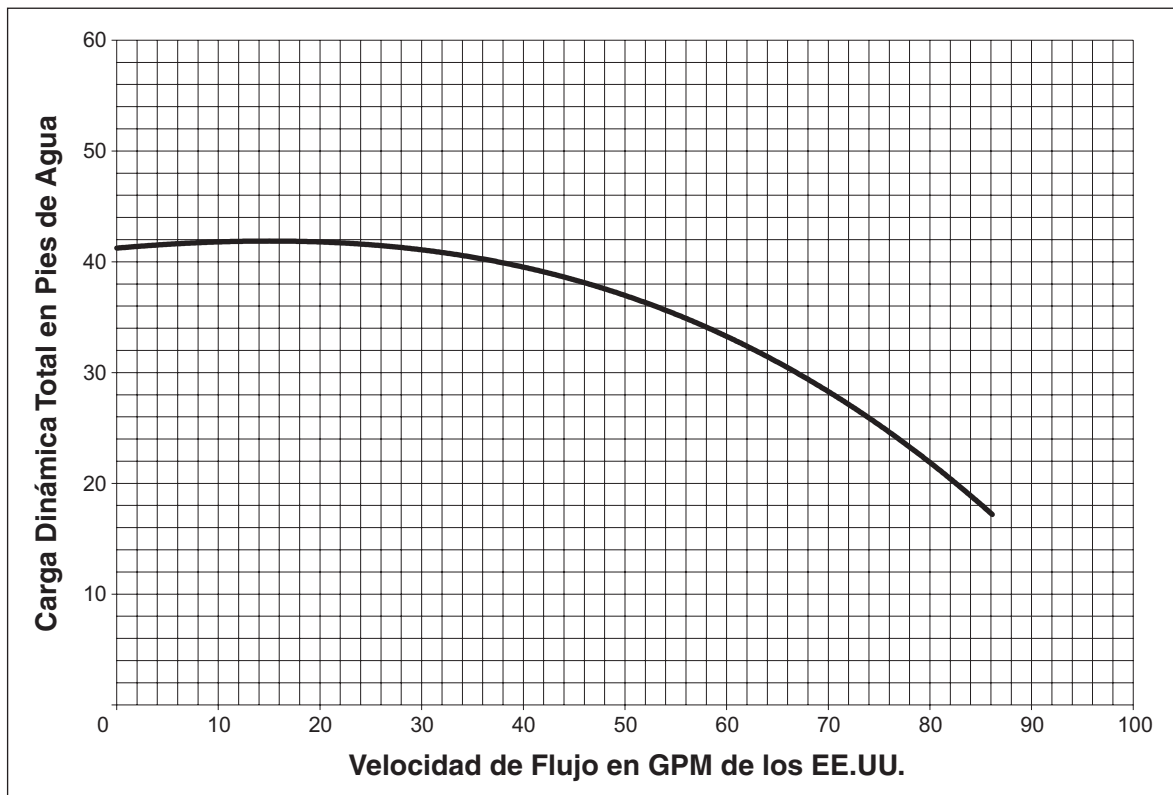
#### NO ILUSTRADO

79137800	Cable - 3 pies (0.9 m), Enchufe Estándar de 15 Amp (no para uso en Canadá)
155234	Cable - 3 pies (0.9 m), Enchufe de Cierre por Torsión de 15 Amp (no para uso en Canadá)
155371	Cable de Corriente - 25 pies (7.6 m) de 16 Ga (Solo para los modelos de bomba 348197, 348197SR, EC-348197, 348201, 348201SR y EC-348201 en Canadá)

**DATOS DIMENSIONALES**



**CURVAS DE LA BOMBA**







1620 HAWKINS AVE., SANFORD, NC 27330 • (919) 566-8000  
10951 WEST LOS ANGELES AVE., MOORPARK, CA 93021 • (805) 553-5000  
[WWW.PENTAIR.COM](http://WWW.PENTAIR.COM)

Todas las marcas comerciales y logotipos de Pentair son propiedad de Pentair. Las marcas comerciales y logos registrados y no registrados de terceros son propiedad de sus respectivos titulares. Como mejoramos continuamente nuestros productos y servicios, Pentair se reserva el derecho de modificar las especificaciones sin previo aviso.

© 2023 Pentair. Todos los derechos reservados. Este documento está sujeto a cambios sin previo aviso

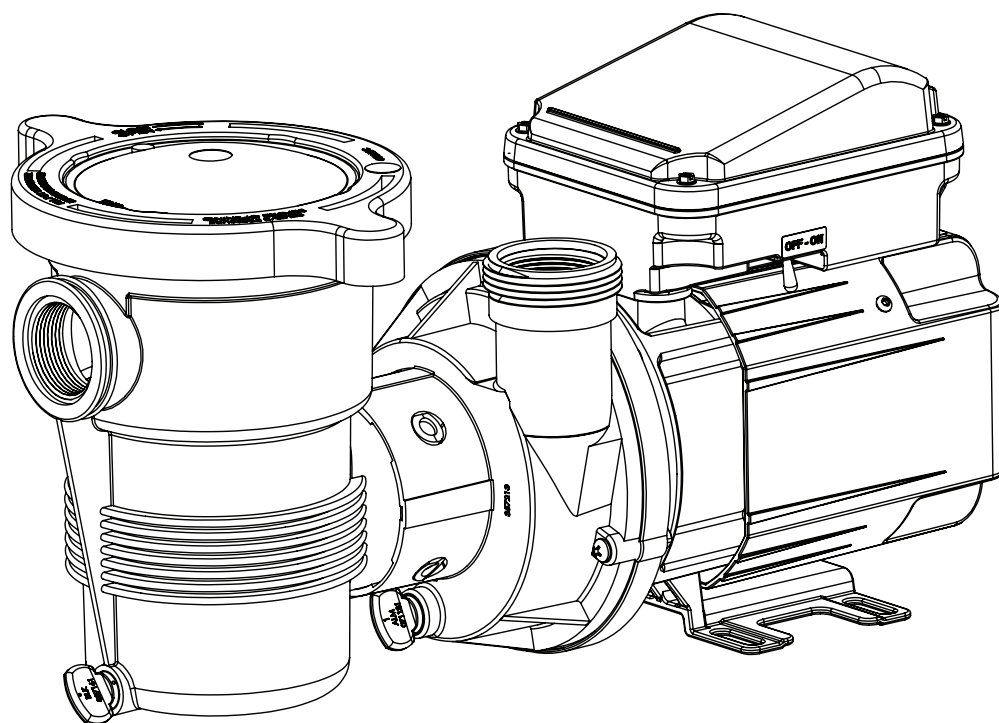


P/N 356966 REV. C 7/31/23



# OPTIFLO

## POMPE POUR PISCINE HORS SOL



FRANÇAIS

# GUIDE D'INSTALLATION ET D'UTILISATION

IMPORTANTES INSTRUCTIONS DE SÉCURITÉ  
LIRE ET SUIVRE TOUTES LES CONSIGNES  
CONSERVEZ LES INSTRUCTIONS

## SERVICE À LA CLIENTÈLE/SOUTIEN TECHNIQUE

---

Si vous avez des questions sur la commande de pièces de rechange et produits pour piscines Pentair, veuillez contacter :

### Service à la clientèle et soutien technique, É.-U.

(8 h à 17 h – heures Est/Pacifique)

Tél. : 1-800-831-7133

Télec. : 1-800-284-4151

### Site Internet

Visitez [www.pentair.com](http://www.pentair.com) pour plus d'informations sur les produits Pentair.

### Sanford, North Carolina (8 h à 17 h HE)

Tél. : 1-919-566-8000

Télec. : 1-919-566-8920

### Moorpark, California (8 h à 17 h - Pacifique)

Tél. : 1-805-553-5000 (poste 5591)

Télec. : 1-805-553-5515

## TABLE DES MATIÈRES

---

<b>Avertissements et consignes de sécurité importants</b> .....	<b>ii</b>	<b>Procédure de mise en hivernage</b> .....	<b>5</b>
<b>Fonctionnement de votre pompe</b> .....	<b>1</b>	<b>Guide de dépannage</b> .....	<b>6</b>
<b>Installation</b> .....	<b>1</b>	<b>Données techniques</b> .....	<b>7</b>
Mise à terre .....	3	Pièces de rechange .....	7
Connexion .....	3	Données dimensionnelles .....	8
Mise en route initiale .....	4	Courbes de pompe .....	8
<b>Fonctionnement et entretien de la pompe</b> .....	<b>4</b>		
<b>Procédure de démontage/montage pour changer le joint d'étanchéité</b> .....	<b>4</b>		

# AVERTISSEMENT IMPORTANT ET CONSIGNES DE SÉCURITÉ CONCERNANT LA POMPE



## REMARQUE IMPORTANTE

Ce guide présente les instructions d'installation et de fonctionnement de la pompe. Consultez Pentair si vous avez des questions concernant ce matériel.

**À l'attention de l'installateur :** ce guide contient des renseignements importants sur l'installation, le fonctionnement et l'utilisation sécuritaire de ce produit. Cette information doit être remise au propriétaire ou à l'utilisateur de cet équipement après l'installation de la pompe ou être déposée près de la pompe.

**À l'attention de l'utilisateur :** ce manuel contient des renseignements importants qui vous aideront à utiliser ce produit et à en assurer l'entretien. Veuillez le conserver pour référence ultérieure.

## LIRE ET SUIVRE TOUTES LES DIRECTIVES CONSERVER CES DIRECTIVES



Symbole d'avertissement de sécurité. En voyant ce symbole sur le système ou dans ce manuel, recherchez l'un des mots-indicateurs suivants et prenez conscience du potentiel de blessures personnelles.

### ⚠ DANGER

Avertissement sur des dangers qui peuvent causer la mort, des blessures graves ou des dommages matériels conséquents s'ils sont ignorés.

### ⚠ AVERTISSEMENT

Avertissement sur des dangers qui pourraient causer la mort, des blessures graves ou des dommages matériels conséquents s'ils sont ignorés.

### ⚠ ATTENTION

Avertissement sur des dangers qui peuvent causer des petites blessures ou des dommages matériels mineurs s'ils sont ignorés.

### REMARQUE

Indique des consignes particulières sans rapport avec les dangers.

Lire attentivement et suivre toutes les consignes de sécurité dans ce manuel et sur les appareils. Maintenir les étiquettes de sécurité en bonne condition; les remplacer si elles sont retirées ou abîmées.

Lors de l'installation et de l'utilisation de ce matériel électrique, des consignes de sécurité de base doivent toujours être suivies, dont les suivantes :

### ⚠ AVERTISSEMENT

Ne pas permettre aux enfants d'utiliser ce produit.

### ⚠ AVERTISSEMENT

**RISQUE DE DÉCHARGE ÉLECTRIQUE.** Ne brancher qu'à un circuit de dérivation protégé par un disjoncteur de fuite à la terre. Communiquer avec un électricien qualifié si vous n'êtes pas en mesure de vérifier si le circuit est protégé par un disjoncteur de fuite à la terre.

### ⚠ AVERTISSEMENT

Cet appareil doit être branché uniquement à un circuit d'alimentation protégé par un disjoncteur de fuite à la terre. Ce disjoncteur de fuite à la terre doit être fourni par l'installateur et doit être inspecté régulièrement. Pour tester le disjoncteur, appuyer sur le bouton TEST. Le disjoncteur devrait couper le courant. Appuyer sur le bouton de réinitialisation. Le courant devrait revenir. Si le disjoncteur ne fonctionne pas ainsi, il est défectueux. Si le disjoncteur coupe le courant de la pompe sans que le bouton TEST ait été appuyé, un courant de terre circule, ce qui indique un risque d'électrocution. Ne pas utiliser cette pompe. Débrancher la pompe et faire corriger le problème par un réparateur qualifié avant de l'utiliser.

### ⚠ ATTENTION

Cette pompe est conçue pour une utilisation dans des piscines permanentes et peut également être utilisée dans des bassins chauffés et des spas si elle porte cette indication. Ne pas utiliser dans une piscine démontable. Une piscine permanente est construite dans le sol ou sur le sol, ou dans un bâtiment, et ne peut pas être démontée aux fins d'entreposage. Une piscine démontable est construite de façon à pouvoir être démontée aux fins d'entreposage et remontée pour revenir à son état d'origine.

### Avertissements généraux

- Ne jamais ouvrir l'intérieur du boîtier du moteur. Il contient une batterie de condensateurs d'une charge de 230 VCA, même lorsque l'unité n'est pas sous tension.
- La pompe n'est pas submersible.
- La pompe peut fournir de hauts débits d'écoulement; faire preuve de prudence lors de l'installation et de la programmation pour limiter le potentiel de performance de la pompe avec de l'équipement ancien ou peu fiable.

- Les exigences du code électrique peuvent être différentes d'un pays à l'autre, l'Etat, ainsi que les municipalités locales. Installer le matériel conformément au National Electrical Code le plus récent et à tout code ou à toute ordonnance pertinents de votre région.
- Avant d'entretenir la pompe; mettre hors tension la pompe en débranchant le circuit principal sur lequel la pompe est branchée.
- Cet appareil n'est pas conçu pour être utilisé par des personnes (y compris des enfants) dont les facultés physiques, sensorielles ou mentales sont réduites, ou qui n'ont pas l'expérience ou les connaissances nécessaires, sans la surveillance ou les consignes de sécurité d'une personne responsable de leur sécurité.

### ⚠ DANGER

LE NON-RESPECT DE CES CONSIGNES ET DE CES AVERTISSEMENTS PEUT ENGENDRER DES BLESSURES GRAVES OU LA MORT. **CETTE POMPE DOIT ÊTRE INSTALLÉE ET ENTRETENUE UNIQUEMENT PAR UN PROFESSIONNEL QUALIFIÉ EN ENTRETIEN DE PISCINES. LES INSTALLATEURS, LES UTILISATEURS ET LES PROPRIÉTAIRES DE LA PISCINE DOIVENT LIRE CES AVERTISSEMENTS ET TOUTES LES INSTRUCTIONS DU MODE D'EMPLOI AVANT D'UTILISER CETTE POMPE. CES AVERTISSEMENTS ET LE MODE D'EMPLOI DOIVENT RESTER DANS LA POSSESSION DU PROPRIÉTAIRE DE LA PISCINE.**

### ⚠ DANGER

DANGER D'ENCHEVÊTREMENT PAR ASPIRATION : S'ÉLOIGNER DU CONDUIT DE DRAINAGE PRINCIPAL ET DE TOUTES LES OUVERTURES D'ASPIRATION!



CETTE POMPE A UNE GRANDE FORCE D'ASPIRATION ET CRÉE UN VIDE SOUS PRESSION AU DRAIN PRINCIPAL SITUÉ AU FOND DU BASSIN. CETTE FORCE D'ASPIRATION EST SUFFISANTE POUR RETENIR UN ADULTE OU UN ENFANT SOUS L'EAU S'IL S'APPROCHE D'UN CONDUIT, D'UN COUVERCLE OU D'UNE GRILLE MOBILE OU BRISÉ.

### ⚠ DANGER



**RISQUE DE DÉCHARGE ÉLECTRIQUE OU D'ÉLECTROCUTION : LES POMPES FONCTIONNENT SOUS HAUTE TENSION, CE QUI PEUT CAUSER DES DÉCHARGES, DES BRÛLURES OU LA MORT. AVANT DE TRAVAILLER SUR LA POMPE!** Toujours débrancher le courant de la pompe de la piscine au niveau du disjoncteur avant d'effectuer l'entretien de la pompe. Le non-respect

de cette consigne peut engendrer la mort ou des blessures graves au réparateur, aux utilisateurs de la piscine ou à d'autres personnes par décharge électrique.

LE FAIT D'UTILISER UN COUVERCLE NON APPROUVÉ OU D'AUTORISER LA PISCINE OU LE SPA À ÊTRE UTILISÉ ALORS QUE LES COUVERCLES SONT ABSENTS, FÊLÉS OU BRISÉS PEUT ENTRAÎNER DES ACCIDENTS COMME LE CORPS OU DES MEMBRES ENCHEVÊTRÉS, LES CHEVEUX COINCÉS, L'ÉVISCÉRATION OU LA MORT.

L'aspiration d'une sortie ou d'un drain peut causer les problèmes suivants :

**Enchevêtrement de membres :** Quand un membre est aspiré ou inséré dans une ouverture résultant en une torsion ou un gonflement. Ce danger existe si un couvercle de drainage est absent, brisé, mobile, fêlé ou fixé incorrectement.

**Cheveux coincés :** Quand les cheveux s'emmêlent ou se nouent au couvercle de drainage, retenant le nageur sous l'eau. Ce danger existe si le débit pour lequel est conçu le couvercle de drainage est insuffisant pour les pompes installées.

**Corps enchevêtré :** Quand une partie du corps est retenue contre le couvercle de drainage, retenant le nageur sous l'eau. Ce danger existe si le couvercle de drainage est absent ou brisé ou que le débit pour lequel il est conçu est insuffisant pour les pompes installées.

**Éviscération/démembrement :** Quand une personne s'assoit sur une sortie de conduit ouverte dans une piscine (particulièrement le bassin pour enfants) ou un spa et que les intestins sont aspirés directement, causant des lésions graves aux intestins. Ce danger existe si le couvercle de drainage est absent, mobile, fêlé ou fixé incorrectement.

**Enchevêtrement mécanique :** Quand un bijou, un maillot de bain, une épingle à cheveux, un doigt, un orteil ou une phalange est coincé dans une ouverture d'une sortie ou d'un couvercle de drainage. Ce danger existe si le couvercle de drainage est absent, brisé, mobile, fêlé ou fixé incorrectement.

## AVERTISSEMENT IMPORTANT ET CONSIGNES DE SÉCURITÉ CONCERNANT LA POMPE

**REMARQUE : TOUTE LA TUYAUTERIE D'ASPIRATION DOIT ÊTRE INSTALLÉE CONFORMÉMENT AUX CODES, AUX NORMES ET AUX DIRECTIVES NATIONALES ET RÉGIONALES LES PLUS RÉCENTES.**

**AVERTISSEMENT** POUR RÉDUIRE LE RISQUE DE BLESSURE PAR ENCHEVÊTREMENT DÙ À L'ASPIRATION :

- Un couvercle de conduit d'aspiration approuvé ANSI/ASME A112.19.8 doit être installé et fixé correctement sur chaque ouverture de drainage.
- Les couvercles de conduit d'aspiration doivent être installés au moins trois (3) pi (0,9 m) les uns des autres, mesures prises aux points les plus proches.
- Inspecter régulièrement tous les couvercles afin de détecter les marques de dommages et les signes d'usure avancée.
- Si un couvercle devient mobile, fêlé, endommagé, brisé ou est absent, le remplacer par un couvercle de rechange adapté.
- Remplacer les couvercles de drainage au besoin. Les couvercles de drainage se détériorent à long terme en raison de l'exposition au soleil et aux intempéries.
- Éviter d'approcher vos cheveux ou toute partie du corps de tout couvercle de conduit d'aspiration, d'ouverture de drainage ou de sortie.
- Désactiver les ouvertures du conduit d'aspiration ou les reconfigurer en courant de retour.

**AVERTISSEMENT** Un interrupteur d'arrêt d'urgence pour la pompe identifié clairement doit exister dans un endroit facile d'accès et évident. S'assurer que les utilisateurs savent où il se trouve et comment l'utiliser en cas d'urgence.

**La loi Virginia Graeme Baker (VGB) sur les piscines et les spas** crée de nouvelles exigences pour les propriétaires et les utilisateurs de piscines commerciales et de spas commerciaux.

Les piscines commerciales et les spas commerciaux construits le 19 décembre 2008 ou plus tard devront employer :

(A) Un système comportant plusieurs conduits de drainage sans capacité d'isolation conforme à la norme ASME/ANSI A112.19.8a « Suction Fittings for Use in Swimming Pools, Wading Pools, Spas, and Hot Tubs » (Raccords d'aspiration pour les piscines, les bassins pour enfants, les spas et les bassins chauffés) et soit :

(i) Un système brise-vide (« safety vacuum release system » SVRS) répondant aux normes ASME/ANSI A112.19.17 « Manufactured Safety Vacuum Release systems (SVRS) for Residential and Commercial Swimming Pool, Spa, Hot Tub, and Wading Pool Suction Systems » (Système brise-vide fabriqué pour les piscines, les spas, les bassins chauffés et les bassins pour enfants de nature résidentielle ou commerciale) et/ou la norme ASTM F2387 « Standard Specification for Manufactured Safety Vacuum Release Systems (SVRS) for Swimming Pools, Spas and Hot Tubs » (Spécifications standardisées pour les systèmes brise-vide fabriqués pour les piscines, les spas et les bassins chauffés); ou

(ii) Un système d'évacuation qui limite la pression d'aspiration, adéquatement conçu et mis à l'essai; ou

(iii) Un dispositif d'arrêt d'urgence automatique de la pompe.

Les piscines et les spas construits avant le 19 décembre 2008 avec une seule bouche d'aspiration submergée conforme à la norme ASME/ANSI A112.19.8a et soit :

(A) Un système brise-vide (« safety vacuum release system » SVRS) conforme à la norme ASME/ANSI A112.19.17 et/ou à la norme ASTM F2387; ou

(B) Un système d'évacuation qui limite la pression d'aspiration, adéquatement conçu et mis à l'essai; ou

(C) Un système d'arrêt d'urgence automatique de la pompe; ou

(D) Des bouches submergées condamnées; ou

(E) Les ouvertures du conduit d'aspiration doivent être reconfigurées en courant de retour.

**Installation de commandes électriques sur le panneau de contrôle du matériel (interrupteurs marche/arrêt, minuterie et gestion automatisée de la consommation électrique)**

**ATTENTION** Installer toutes les commandes électriques sur le panneau de contrôle du matériel, comme les interrupteurs marche/arrêt, les minuteries et les systèmes de contrôle, afin de permettre une utilisation de tout filtre ou de toute pompe de façon à ce que l'utilisateur ne place aucune partie de son corps au-dessus ou près du couvercle du filtre de la pompe, du couvercle du filtre ou des soupapes de fermeture. Cette



installation doit laisser à l'utilisateur suffisamment d'espace pour se tenir à l'écart du filtre et de la pompe pendant le démarrage ou l'arrêt du système ou l'entretien de son filtre.

**⚠ DANGER**



**PRESSIION DANGEREUSE : RESTER À L'ÉCART DE LA POMPE ET DU FILTRE PENDANT LE DÉMARRAGE**  
Les systèmes de circulation fonctionnent sous haute pression. Quand toute partie du système de circulation (p. ex., un anneau de serrage, une pompe, un filtre, une soupape, etc.) est entretenue, de l'air peut entrer dans le système et devenir pressurisé. L'air comprimé peut séparer violemment le boîtier de la pompe, le couvercle du filtre et les soupapes, ce qui peut causer des blessures graves ou même la mort. Le couvercle du réservoir du filtre doit être fixé adéquatement afin de prévenir une séparation brusque. S'éloigner de toute partie du matériel du système de circulation lors du démarrage de la pompe ou de sa mise sous tension.

Avant d'entretenir le matériel, noter la pression mesurée du filtre. S'assurer que toutes les commandes sont configurées de manière à ce que le système ne puisse pas démarrer accidentellement pendant l'entretien. Complètement mettre hors tension la pompe. **IMPORTANT : Placer la soupape de décharge pneumatique manuelle en position ouverte et attendre que toute la pression sorte du système.**

Avant de démarrer le système, ouvrir complètement la soupape de décharge pneumatique manuelle et mettre toutes les soupapes en position ouverte afin de permettre à l'eau d'entrer et de sortir librement du réservoir. S'éloigner de tout matériel et démarrer la pompe.

**IMPORTANT : Ne pas refermer la soupape de décharge pneumatique manuelle avant que toute la pression soit sortie de la soupape et qu'un filet d'eau continu soit apparu.** Vérifier l'indicateur de pression du filtre et s'assurer qu'elle n'est pas plus élevée qu'avant le début de l'entretien.

**Informations générales d'installation**

- Tous les travaux doivent être effectués par un professionnel qualifié et doivent se conformer à tout code national, provincial ou local.
- L'installation doit comprendre une issue de drainage pour le compartiment des composants électriques.
- Ces instructions contiennent des renseignements portant sur plusieurs modèles de pompe; certaines instructions peuvent ne pas s'appliquer à certains modèles. Tous les modèles sont conçus pour être utilisés dans des piscines. La pompe ne fonctionnera correctement que si la taille choisie est adéquate pour l'utilisation prévue et qu'elle est installée correctement.

**AVERTISSEMENT** Les pompes de taille inadéquate, incorrectement installées, ou utilisées pour une application différente de celle pour laquelle la pompe a été conçue peut causer des blessures graves ou la mort. Ces risques peuvent comprendre entre autres l'électrocution, un incendie, une inondation, un enchevêtrement par aspiration ou une blessure grave, ou des dommages matériels causés par des dommages structurels à la pompe ou un autre élément du système.

**AVERTISSEMENT** La pompe peut produire une aspiration très forte au niveau du conduit d'aspiration de la tuyauterie. Cette aspiration puissante peut poser un risque si une personne s'approche de l'ouverture du conduit d'aspiration. Une personne peut se blesser gravement si elle est aspirée ou se retrouver coincée et se noyer. Il est absolument crucial que la tuyauterie reliée au conduit d'aspiration soit installée conformément aux codes nationaux et régionaux relatifs aux piscines les plus récents.

**Les pompes et moteurs de remplacement à vitesse unique et un (1) HP total ou supérieur ne peuvent être vendus, mis en vente ou installés dans une piscine résidentielle pour utilisation en filtration en Californie, Titre 20 CCR, sections 1601-1609.**

Les avertissements et consignes de sécurité pour les pompes et autres produits connexes de Pentair Aquatic Systems sont disponibles sur : <http://www.pentairpool.com/pool-owner/safety-warnings/> Composez le 1-800 831-7133 pour des exemplaires supplémentaires gratuits de ces instructions.

Veuillez vous référer à <http://www.pentairpool.com/pool-owner/safety-warnings/> pour les avertissements et consignes de sécurité relatives à ce produit.



## SECTION I. FONCTIONNEMENT DE VOTRE POMPE

Votre pompe centrifuge est conçue pour fonctionner pendant des années avec un entretien adéquat. Le carter de pompe, la plaque d'étanchéité, la cuve de collecte des cheveux et de la poussière et la turbine sont en matériaux thermoplastiques de la plus haute qualité. Ces matériaux ont été choisis pour leur résistance à la corrosion. Si l'installation, le fonctionnement et l'entretien de la pompe sont effectués selon ces instructions, votre pompe vous apportera toute satisfaction pendant des années.

Votre pompe centrifuge est entraînée par un moteur électrique. Ce moteur est directement attaché à la turbine de la pompe. La rotation du moteur électrique entraîne la rotation de la turbine, ce qui provoque l'écoulement de l'eau. Afin de préfiltrer les gros débris, l'eau passe par la crépine pour arriver dans la cuve de collecte des cheveux et de la poussière. S'il n'y a pas de cuve de collecte, l'eau arrive ensuite dans le carter de pompe. L'eau passe dans la turbine et ressort par l'orifice d'écoulement.

## SECTION II. INSTALLATION

1. Vérifier que le paquet n'a pas été endommagé par une manipulation un peu rude au cours de la livraison. Si l'emballage ou des composants de pompe sont endommagés, contacter immédiatement le transporteur.
2. Après inspection, retirer la pompe de son paquet.
3. La pompe doit être montée sur une base plate solide, suffisamment élevée pour éviter que le moteur ne soit inondé. Un emplacement abrité est préférable, avec également une aération adéquate.
4. Prévoir un accès facile et lumineux pour l'entretien régulier de la pompe. Ne pas installer les commandes électriques juste au-dessus de la pompe.
5. La pompe doit se trouver le plus près possible de la piscine ou du spa. Eviter d'installer la pompe **au-dessus du niveau de l'eau**. Une élévation d'aspiration supérieure à 6 pouces (15.2 cm) entraîne un temps d'amorçage plus long et endommagerait la pompe.
6. La pompe doit se trouver dans un endroit offrant un bon drainage pour éviter les inondations.
7. Au cours de l'installation, ne pas oublier d'installer des vannes ou d'autres moyens permettant de débrancher l'aspiration de la pompe et de la vider pour l'entretien.
8. Ne jamais ranger les produits nettoyants à moins de 10 pieds (3.1 m) du filtre de piscine et de la pompe. Ces produits sont corrosifs et ils doivent toujours être rangés dans un endroit frais, sec et bien aéré.

### **AVERTISSEMENT**

Les vapeurs et / ou les éclaboussures chimiques peuvent constituer une attaque corrosive sévère pour la crépine et les composants structurels de la pompe. Une crépine ou une pompe structurellement endommagés peuvent entraîner l'explosion des fixations de crépine, de pompe ou de vanne, et provoquer des blessures corporelles ou des dégâts matériels graves.

9. Assembler la tuyauterie et les raccords de tuyau à la pompe et la vanne. La tuyauterie doit être conforme aux codes locaux et nationaux de plomberie et d'hygiène.
10. Utiliser du ruban d'étanchéité fileté e sur l'ensemble des raccordements mâles des tuyaux et des raccords. Utiliser uniquement du mastic d'étanchéité prévu pour les tuyaux en plastique. Soutenir le tuyau pour éviter d'exercer toute tension sur la crépine, la pompe ou la vanne. **NE PAS UTILISER DE PRODUITS À BASE DE PÉTROLE.**
11. Eviter de trop serrer le filetage des tuyaux lors du montage des raccords sur la pompe. La meilleure façon de procéder est d'enduire le filet de mastic d'étanchéité et de resserrer ensuite à la main, en ajoutant 1 tour et demie. **NE PAS TROP SERRER.**
12. Des tuyaux trop longs et des coudes empêchent un bon débit. Pour une efficacité maximale, utiliser le moins de raccords possible, et des tuyaux à large diamètre (d'au moins 1-½ pouce) et poser l'appareil le plus près possible de la piscine. La conduite d'aspiration de la pompe ne doit pas être plus petite que le tuyau sur l'arrivée de la pompe.

13. Il est important que la conduite d'aspiration ne comporte aucune fuite ou poche d'air.

 **AVERTISSEMENT**

Des raccords d'aspiration bouchés peuvent entraîner des blessures graves ou mortelles par noyade. Ne pas autoriser les enfants à utiliser ce produit.

14. Les raccords d'aspiration doivent être conformes aux normes ASME/ANSI A 112.19.8 M. Utiliser un double raccord d'aspiration.
15. La pression de service maximum de cet appareil est de 25 livres par pouce carré (1.7 bar). Ne jamais faire fonctionner cette pompe à une tension supérieure.  
Cette pompe n'est pas conçue pour fonctionner en combinaison avec d'autres pompes.

 **AVERTISSEMENT**

Afin de réduire les risques de blessures, ne pas autoriser les enfants à utiliser ce produit.

16. Le câblage de cette pompe doit être effectué par un électricien professionnel conformément au Code National d'Electricité (NEC) et aux codes électriques locaux.

 **AVERTISSEMENT**

Ne jamais travailler sur une pompe en marche ou encore branchée. Le courant électrique est dangereux et peut entraîner des blessures graves ou mortelles. Un disjoncteur de fuite approprié à la terre doit toujours être installé sur l'alimentation électrique de cet appareil.

17. Les raccords électriques du moteur de la pompe doivent être effectués selon le voltage utilisé et au schéma de câblage fourni avec le moteur. Alimenter le moteur avec un voltage incorrect risque d'endommager le moteur et d'annuler la garantie.
18. Les fils électriques reliés au moteur doivent être aussi courts que possible et de calibre suffisant pour NE PAS entraîner une baisse de tension excessive. Utiliser le tableau de taille des fils pour choisir la taille minimum des conducteurs.
19. Installer, mettre à terre et connecter les fils conformément aux normes locales ou aux normes du Code national d'Electricité.

## MISE À TERRE

20. Mettre à terre le moteur de façon permanente. Utiliser la borne verte qui se trouve sous le châssis du moteur ou de la plaque d'accès; utiliser la taille et le type de fils exigés par le Code. Raccorder la borne de terre du moteur à la mise à terre du circuit électrique. Pour les circuits raccordés par cordon électrique, vérifier que la mise à terre est correcte.

## CONNEXION - (Pour les pompes câblées de façon permanente)

21. Code National d'Electricité exige que le moteur soit connecté à une piscine installée en permanence ou à des structures de spa/jacuzzi à l'aide d'un conducteur en cuivre massif d'un calibre au moins égal à 8 AWG. Les fils de connexion doivent être connectés, à partir d'un serre-fils accessible sur la coquille du moteur, à l'ensemble des composants en métal de la structure de la piscine, du spa ou du jacuzzi et à l'ensemble des appareils électriques, des conduites en métal et des tuyaux en métal à moins de 5 pieds (1.5 m) des parois internes de la piscine, du spa ou du jacuzzi. Une patte de mise à terre est fournie sur l'extérieur de la coquille du moteur dans ce but.

### **AVERTISSEMENT**

(Pour les modèles avec prise et cordon électriques) Ne pas enterrer le cordon électrique. Mettre le cordon le plus loin possible des zones où sont utilisés les tondeuses, les taille-haies et autres appareils.

### **AVERTISSEMENT**

(Pour les modèles avec prise et cordon électriques) Afin de réduire le risque d'électrocution, changer immédiatement les cordons endommagés.

### **AVERTISSEMENT**

(Pour les modèles avec prise et cordon électriques) Afin de réduire le risque d'électrocution, ne pas utiliser de cordon prolongateur pour raccorder l'appareil à une alimentation électrique; raccorder à une sortie de courant proche.

### **ATTENTION**

Ne pas installer à l'intérieur d'un abri extérieur ou sous la paroi d'un jacuzzi ou d'un spa sauf si cela est autorisé.

## MISE EN ROUTE INITIALE :

1. Relâcher la pression du système en ouvrant l'ensemble des purgeurs d'air du système hydraulique avant de mettre la pompe en marche. Consulter le guide d'utilisateur du filtre.
2. S'assurer que l'ensemble des raccords, pinces, fermetures et accouplements sont serrés, conformément aux directives du fabricant de l'appareil.
3. Ouvrir les vannes d'aspiration et d'écoulement afin que l'eau s'écoule librement. Sur les pompes à aspiration submersibles avec crépine, la source de l'eau est plus élevée que la pompe. L'eau coule dans la crépine de la pompe et la crépine se remplit d'eau. Sur des pompes sans crépine, l'eau remplit le carter de pompe.
4. Sur des systèmes d'aspiration non submersibles, retirer la pince du couvercle de la crépine en faisant tourner le couvercle dans le sens contraire des aiguilles d'une montre jusqu'à l'arrêt et en soulevant la pince.
5. La crépine de la pompe doit être remplie d'eau jusqu'à l'orifice d'aspiration de la pompe.
6. Il est bon de lubrifier le couvercle du joint torique avec du lubrifiant en silicone chaque fois que le couvercle est retiré. Nettoyer et inspecter le joint torique chaque fois que la crépine est ouverte.
7. Changer le couvercle de la crépine en alignant les taquets de serrage avec les encoches de la crépine. Appuyer sur le couvercle, serrer et tourner dans le sens des aiguilles d'une montre pour mettre en route.
8. La pompe est prête pour l'amorçage. Allumer le moteur et la pompe s'amorcera. Le temps d'amorçage dépendra de l'élévation d'aspiration et de la distance et la taille de la conduite d'aspiration. Eteindre la pompe si elle ne s'amorce pas dans les cinq premières minutes et consulter la section Guide de Dépannage de ce manuel.

### AVIS

Ne jamais faire tourner la pompe à sec. Une mise en route à sec risque d'endommager les joints et le carter de pompe. Ceci peut entraîner des fuites et des inondations.

## SECTION III. FONCTIONNEMENT ET ENTRETIEN DE LA POMPE

### AVERTISSEMENT

NE PAS ouvrir la crépine si la pompe ne s'amorce pas ou si la pompe fonctionne sans eau dans la crépine. Les pompes ayant fonctionné dans ces conditions peuvent avoir un trop plein de tension de vapeur et contenir de l'eau bouillante. L'ouverture de la pompe peut entraîner des blessures corporelles graves. Afin d'éviter les blessures corporelles, s'assurer que les vannes d'aspiration et d'écoulement sont ouvertes et que la température de la crépine est froide au toucher, puis ouvrir avec une extrême précaution.

Inspecter et nettoyer la crépine de la pompe deux fois par semaine. Retirer le couvercle transparent et la crépine, et retirer les débris de la crépine. Inspecter le couvercle du joint torique; s'il est endommagé, le changer. Le joint de la pompe ne nécessite aucune lubrification. Consulter les centres de service après-vente pour les réparations du moteur.

## SECTION IV. PROCÉDURE DE DÉMONTAGE/MONTAGE POUR CHANGER LE JOINT D'ÉTANCHÉITÉ

### AVERTISSEMENT

Ne jamais travailler sur une pompe en marche ou encore branchée au courant. Le courant électrique est dangereux et peut entraîner des blessures graves ou mortelles.

1. Arrêter la pompe et soulager la tension du système.
2. Débrancher le courant du moteur au niveau du disjoncteur.
3. Fermer les vannes d'aspiration et d'écoulement.

4. Manier le joint mécanique avec une extrême précaution. Les surfaces de contact du joint sont polies et elles s'endommagent facilement.
5. Le joint mécanique peut être changé sans désaccoupler la tuyauterie, en retirant les 4 boulons (voir point 14 en page 7) et en retirant le moteur avec l'ensemble des plaques d'étanchéité et turbine sur l'avant du logement du carter de pompe.
6. Retirer la turbine et la partie rotative du joint en tenant l'arbre de moteur et en faisant tourner la turbine dans le sens contraire des aiguilles d'une montre lorsqu'il est face à l'extrémité de l'arbre du moteur.
7. La partie rotative du joint peut maintenant être retirée de la turbine. Nettoyer le moyeu de la turbine et lubrifier avec de l'eau savonneuse. Essuyer avec un chiffon propre les surfaces de contact brillantes en carbone du nouveau joint mécanique pour en retirer les empreintes et autres corps étrangers. Le nouveau joint rotatif peut être réinséré au fond de la turbine.
8. Pour retirer le siège stationnaire du joint en céramique desserrer d'abord les quatre boulons du moteur qui passent sur toute la longueur du moteur dans la plaque d'étanchéité. Retirer la plaque d'étanchéité du moteur. Retirer en appuyant le siège en céramique et le joint en caoutchouc de la plaque d'étanchéité.
9. Nettoyer le joint de la plaque d'étanchéité et lubrifier avec de l'eau savonneuse. Presser le nouveau joint céramique et la garniture dans la plaque d'étanchéité, en l'enclenchant bien. Essuyer la surface en céramique avec un chiffon propre pour retirer les empreintes graisseuses ou les corps étrangers.
10. Mettre la plaque d'étanchéité sur le moteur et aligner les quatre boulons du moteur. Fixer la plaque d'étanchéité sur le moteur en prenant soin de ne pas trop serrer les boulons. Resserrer progressivement les boulons en allant de l'un à l'autre en suivant un schéma croisé.
11. Vérifier la position du joint mécanique dans la plaque d'étanchéité et s'assurer que l'arbre de moteur est au centre de l'ensemble d'étanchéité.
12. Visser la turbine avec un nouveau joint rotatif sur l'arbre de moteur. Faire tourner l'arbre de moteur pour s'assurer que la turbine ne touche pas la plaque d'étanchéité.
13. Nettoyer la plaque d'étanchéité du joint torique et vérifier qu'il est bien en place. Changer le moteur et la plaque d'étanchéité sur l'avant du logement du carter de pompe et visser en place avec 4 boulons. Resserrer progressivement les boulons en allant de l'un à l'autre en suivant un schéma croisé.
14. Consulter la procédure de mise en route initiale pour redémarrer la pompe.

## SECTION V. PROCÉDURE DE MISE EN HIVERNAGE

### AVIS

L'eau qui gèle dans la pompe peut endommager la pompe et entraîner des dégâts des eaux / une inondation probables ainsi que des dégâts matériels probables.

1. Vidanger toute l'eau du carter et des tuyaux de la pompe lorsqu'il va geler. Un bouchon de vidange est fourni pour vidanger la pompe. Si la pompe possède une crépine, retirer à la fois le bouchon de vidange de la crépine et celui du carter. Si la pompe n'a pas de crépine, retirer uniquement retirer le bouchon du carter.
2. Si la pompe peut être retirée et entreposée dans un endroit sec à l'intérieur, le faire.
3. Pour un emplacement extérieur non protégé, le mieux est de protéger l'appareil dans un abri à l'épreuve des intempéries.
4. Ne pas envelopper le moteur de plastique à cause de la condensation qui peut se former à l'intérieur du moteur.
5. Dans les systèmes où la pompe ne peut pas être vidangée, une solution à base de 40% de propylène glycol et de 60% d'eau protégera la pompe jusqu'à moins -50°F (-45.6°C).

### AVIS

Ne pas utiliser de solutions antigel, sauf pour le propylène glycol, puisque les autres antigels sont hautement toxiques et peuvent endommager la pompe.

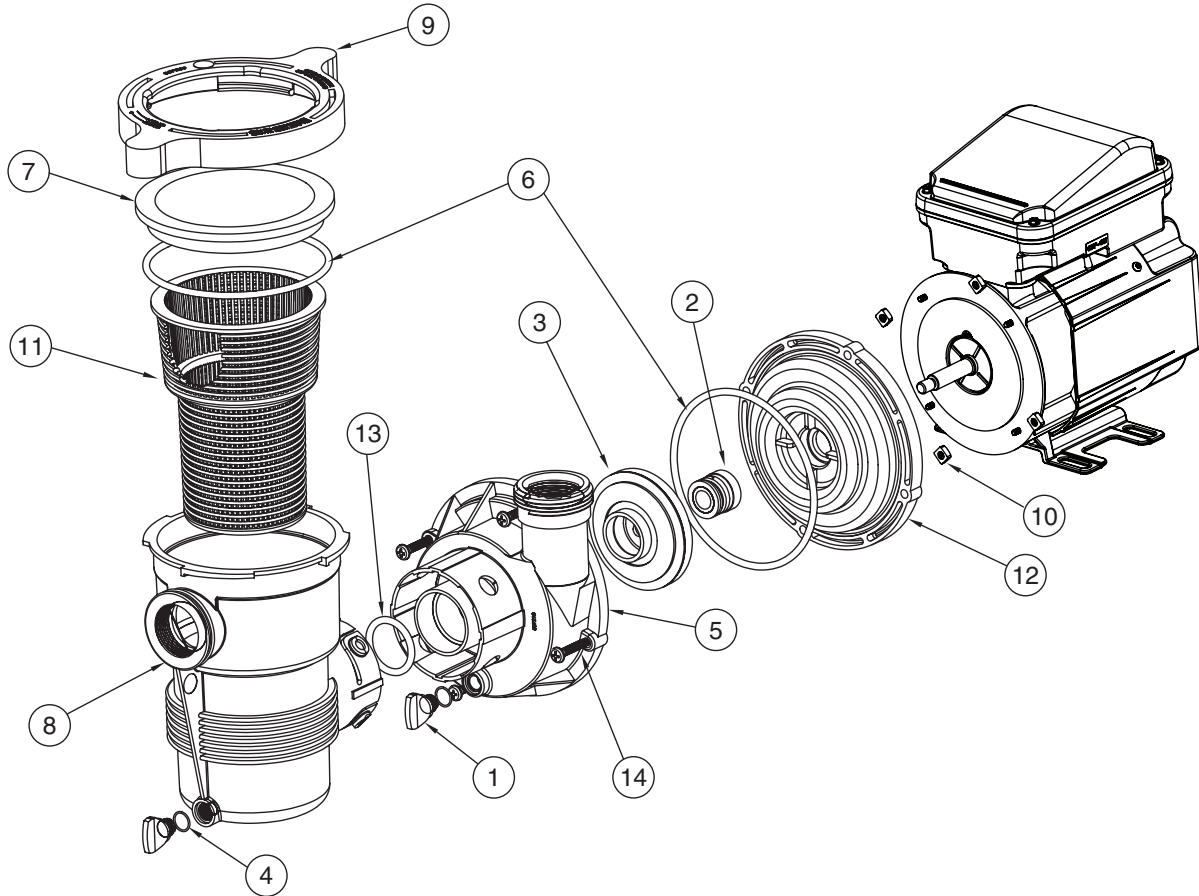
## SECTION VI. GUIDE DE DÉPANNAGE

Ci-dessous se trouvent les causes de problèmes courants

<b>PROBLÈME</b>	<b>CAUSE</b>	<b>SOLUTION</b>
La pompe ne s'amorce pas	Pas d'eau dans la crépine.	Ajouter de l'eau à la crépine.
	Le couvercle de la crépine n'est pas bien serré.	Resserrer le couvercle.
	Couvercle du joint torique endommagé.	Changer le joint torique.
	Le niveau d'eau est en dessous de l'écumoire	Régler le niveau d'eau de la piscine.
	Le panier de la crépine ou de l'écumoire est obstrué.	Nettoyer la crépine ou l'écumoire.
	Vanne fermée dans la tuyauterie.	Vérifier toutes les vannes et ouvrir les vannes nécessaires.
	La pompe est sur la vitesse inférieure (appareils à deux vitesses uniquement).	Régler sur la vitesse supérieure.
Faible débit – Pression de filtrage élevée.	Fuite d'air dans la conduite d'aspiration.	Trouver la fuite et la réparer.
	Le niveau d'eau est trop bas et la pompe ne peut pas l'aspirer.	Régler le niveau de la pompe et s'assurer qu'elle est sous le niveau de l'eau.
	Le filtre est sale.	Nettoyer le filtre.
	Conduite de retour entravée.	Retirer les entraves dans la conduite de retour.
Faible débit - Pression de filtrage basse.	Le panier de la crépine ou de l'écumoire est obstrué.	Nettoyer la crépine ou l'écumoire.
	La turbine est obstruée.	Nettoyer l'obstruction.
	Fuite d'air dans la conduite d'aspiration.	Trouver la fuite et la réparer.
	Conduite d'aspiration entravée.	Trouver et dégager les entraves.
Le moteur ne démarre pas.	Le commutateur de courant est sur arrêt.	Vérifier le commutateur de courant et réenclencher.
	Le disjoncteur a court-circuité.	Vérifier le disjoncteur et réenclencher; s'il court-circuite de nouveau, consulter un électricien.
	La pompe est un mode arrêt sur un circuit contrôlé par une minuterie.	Vérifier la minuterie.
	Les raccordements des bornes du moteur sont incorrects.	Faire vérifier les raccordements des bornes par un électricien.
	L'arbre de moteur est coincé à cause de coussinets défectueux.	Faire changer les coussinets du moteur ou changer la pompe.
Le moteur surchauffe.	Les raccords électriques sont incorrects.	Faire vérifier les raccordements des bornes par un électricien.
	Les fils de raccord à la pompe ne sont pas d'un calibre adéquat.	Consulter un électricien pour câbler la pompe.
	La tension du courant fourni par la Compagnie d'électricité est faible.	En aviser la Compagnie d'électricité.
	La ventilation est inadéquate pour le moteur.	Retirer les entraves au débit d'air.

## SECTION VII. DONNÉES TECHNIQUES

## PIÈCES DE RECHANGE

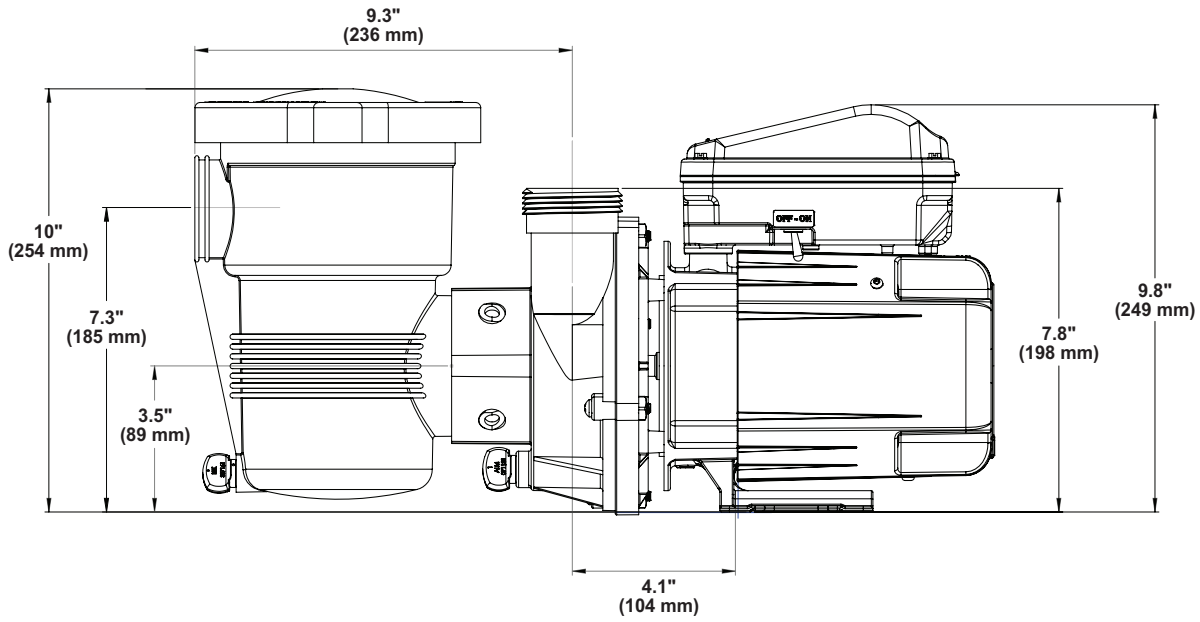


N° d'article.	N° de pièce	Description
1	357161Z	Bouchon de vidange, 3 requis.
2	354545S	Joint mécanique
3	350017	Turbine
4	192115Z	Joint torique , 3 requis.
5	357213	Boîte assemblée
6	357255Z	Joint torique 2-357, 2 requis.
7	357227	Couvercle
8	357228	Boîte assemblée
9	357239	Pince vérin et came
10	357254	1/4-20 Ecrou carré, 4 requis.
11	355667	Crépine
12	357215	Plaque d'étanchéité
13	350103	Joint torique
14	98209000	1/4-20 x1,5 Vis à métaux, 4 requis.

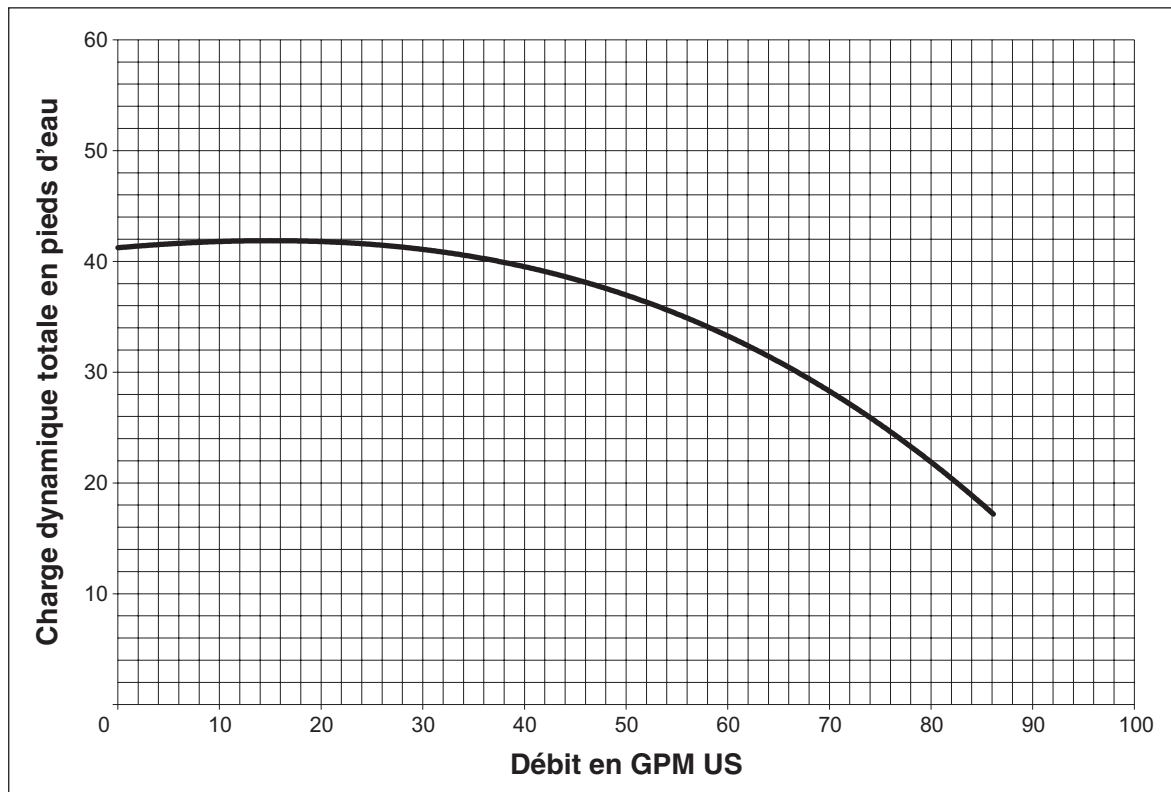
**NON PRÉSENTÉ**

79137800	Cordon- 3 pieds (0.9 m), fiche standard 15 ampères (ne pas utiliser au Canada)
155234	Cordon- 3 pieds (0.9 m), fiche verrouillable 15 ampères (ne pas utiliser au Canada )
155371	Cordon d'alimentation électrique - 25 pieds (7.6 m) Ca libre 16 (Uniquement pour les modèles de pompe 348197, 348197SR, EC-348197, 348201, 348201SR et EC-348201 au Canada)

## DONNÉES DIMENSIONNELLES



## COURBES DE POMPE













1620 HAWKINS AVE., SANFORD, NC 27330 • (919) 566-8000  
10951 WEST LOS ANGELES AVE., MOORPARK, CA 93021 • (805) 553-5000  
WWW.PENTAIR.COM

Toutes les marques de commerce et logos Pentair indiqués sont la propriété de Pentair. Les marques de commerce et logos déposés et non déposés de tiers sont la propriété de leurs propriétaires respectifs. Dans la mesure où Pentair améliore constamment ses produits et services, la société se réserve le droit d'en modifier les spécifications sans préavis.

© 2023 Pentair. Tous droits réservés. Ce document peut faire l'objet de modifications sans préavis.



P/N 356966 REV. C 7/31/23