

WHOLE HOUSE WATER SOFTENING SYSTEMS



APPLICATIONS

- ◆ Whole House

FEATURES • BENEFITS

- ◆ Simple, electronic system for easy programming; maintains settings during power outages
- ◆ Automatic bypass for uninterrupted water flow to the home during regeneration
- ◆ Singular, rotary disc seal for longer life and lower maintenance
- ◆ Self-cleaning brine injector reduces maintenance
- ◆ Safety valve prevents brine tank overflow
- ◆ Highly-efficient, chlorine-resistant resin for longer life
- ◆ Demand-initiated system regenerates when necessary, based on water usage, saving salt and water
- ◆ 1.0, 1.5 and 2.0 cubic foot capacities available to meet household demand requirements

SPECIFICATIONS

PART NO.	35920	35921	35922
Rated Service Flow (gpm)	11.6	11.9	13.2
Pressure Drop at Rated Service Flow Rate (psi)	12	15	15
Rated Capacity (grains @ lbs of salt)	17,500 @ 3.9 lbs 25,200 @ 9.8 lbs 33,500 @ 15.6 lbs	24,300 @ 5.2 lbs 37,000 @ 14.3 lbs 48,600 @ 23.4 lbs	34,600 @ 7.5 lbs 50,400 @ 18.75 lbs 64,000 @ 30 lbs
Rated Efficiency (grains/lb salt @ lbs of salt)	4,487 /lb. salt @ 3.9 lbs	4,637 /lb. salt @ 5.2 lbs	4,613 /lb. salt @ 7.5 lbs
Gel Resin, Na Charged (cu ft)	1.0	1.5	2.0
Resin Tank Size (dia x h)	10" x 44"	10" x 54"	12" x 48"
Brine Tank Size (dia x h)	18" x 33"	18" x 33"	18" x 33"
Backwash (gpm)	2.5	2.5	3.5

VALVE SPECIFICATIONS

Valve Body	Glass-Filled Thermoplastic
Rubber Components	Compounded For Cold Water
Operating Pressure	20 - 120 psi (1.38 - 8.27 bar)
Water Temperature	40° - 100°F (4.4° - 38°C)
Ambient Temperature	40° - 100°F (4.4° - 38°C)

POWER REQUIREMENTS

Input Supply Frequency	50 or 60 Hz
Motor Input Voltage	24 Volt - DC
Controller System Power Consumption	3 Watts Average
Transformer Input Options	115 Volt - AC 50/60 Hz
Transformer Output Voltage	24 Volt - AC 500 mA

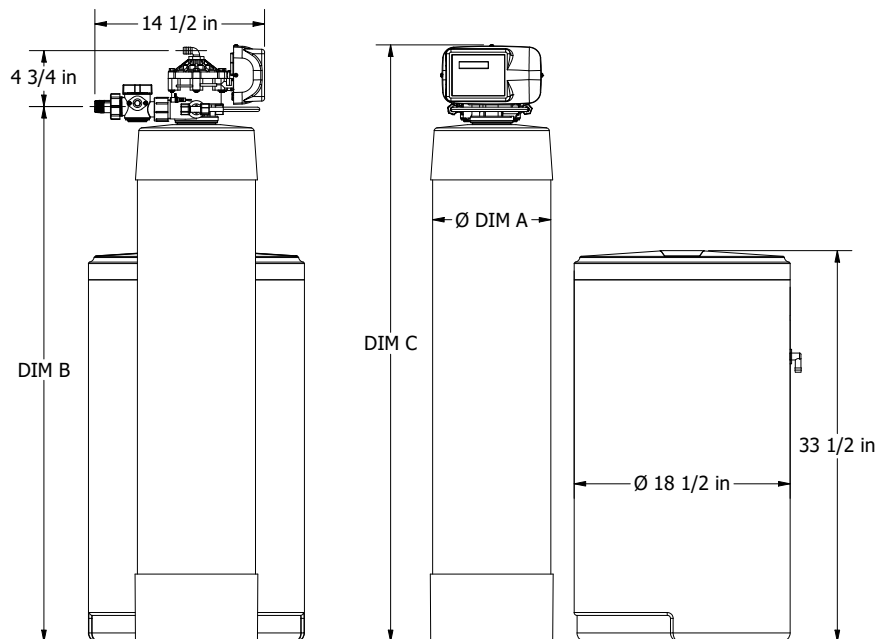
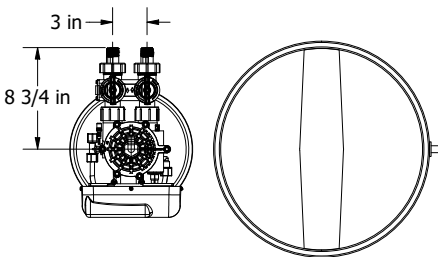
CYCLE INFORMATION

Downflow/Upflow	Downflow Only
Adjustable Cycles	Yes
5 Cycle Valve	1) Service/Home 2) Backwash 3) Brine Draw 4) Fast Rinse 5) Brine Fill

VALVE CONNECTIONS

Tank Thread	2-1/2" - 8, Male
Drain Line	3/4" NPT, Female
Brine Line	3/8" Tube Fitting
In/Out Bypass Valve	Included
Drain Line Elbow Fitting	1/2" Hose Barb Included
In/Out Plumbing Connection	3/4" NPT, Male Plastic Fittings

Tank Size	DIM A	DIM B	DIM C
10x44	10-1/4 in	46 in	51 in
10x54	10-1/4 in	55-7/8 in	61-1/4 in
12x48	12 in	50 in	55-1/4 in



13845 Bishops Dr. | Suite 200 | Brookfield, WI 53005 | United States
 Customer Service: 800.811.3489 | systems-tech-support@pentair.com | pentair.com

All indicated Pentair trademarks and logos are property of Pentair. Third party registered and unregistered trademarks and logos are the property of their respective owners.

© 2020 Pentair Residential Filtration, LLC. All rights reserved.

4005646 Rev A JA20