

# WHOLE HOUSE ACID NEUTRALIZING SYSTEMS



## APPLICATIONS

- ◆ Whole House

## FEATURES • BENEFITS

- ◆ Simple, electronic system for easy programming; maintains settings during power outages
- ◆ Automatic bypass for uninterrupted water flow to the home
- ◆ Singular, rotary water control disc means longer life and lower maintenance
- ◆ Port hole for ease of media replacement
- ◆ 1.0 and 1.5 cubic foot capacities available to meet household demand requirements

## SPECIFICATIONS

PART NO.	35926	35927
Rated Service Flow (gpm)	6.0	7.0
Calcium Carbon Media (cu ft)	1.0	1.5
Tank Size (dia x h)	10" x 44"	10" x 54"

## VALVE SPECIFICATIONS

Valve Body	Glass-Filled Thermoplastic
Rubber Components	Compounded For Cold Water
Operating Pressure	20 - 120 psi (1.38 - 8.27 bar)
Water Temperature	40° - 100°F (4.4° - 38°C)
Ambient Temperature	40° - 100°F (4.4° - 38°C)

## POWER REQUIREMENTS

Controller	
Operating Voltage	24 Volt - AC
Input Supply Frequency	50 or 60 Hz
Motor Input Voltage	24 Volt - DC
Controller System	
Power Consumption	3 Watts Average
Transformer	
Output Voltage	24 Volt - AC 500 mA
Transformer	
Input Options	115 Volt - AC 50/60 Hz

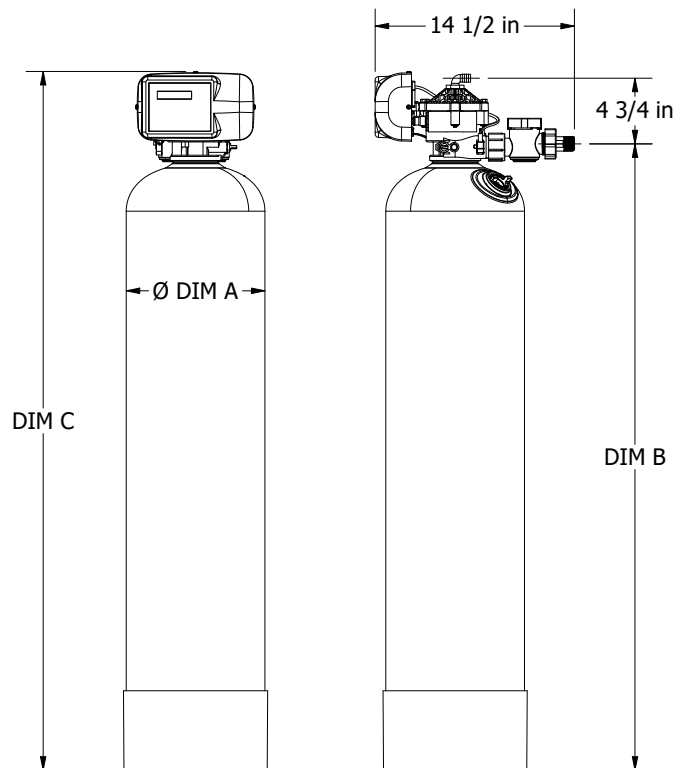
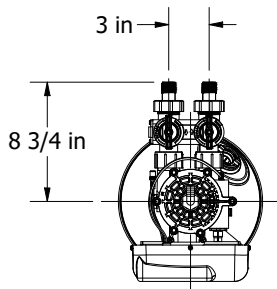
## CYCLE INFORMATION

Downflow/Upflow	Downflow Only
Adjustable Cycles	Yes
4 Cycle Valve	1) Service/Home 2) Backwash 3) Slow Rinse 4) Fast Rinse

## VALVE CONNECTIONS

Tank Thread	2-1/2" - 8, Male
Drain Line	3/4" NPT, Female
Standard In/Out Plumbing Connection	3/4" NPT, Male Plastic Fittings
In/Out Bypass Valve	Included

Tank Size	DIM A	DIM B	DIM C
10x44	10-1/4 in	46 in	51 in
10x54	10-1/4 in	55-7/8 in	61-1/4 in



13845 Bishops Dr. | Suite 200 | Brookfield, WI 53005 | United States  
 Customer Service: 800.811.3489 | [systems-tech-support@pentair.com](mailto:systems-tech-support@pentair.com) | [pentair.com](http://pentair.com)

§For a detailed list of where Pentair trademarks are registered, please visit [www.pentair.com/registrations](http://www.pentair.com/registrations). Pentair trademarks and logos are owned by Pentair plc or its affiliates. Third party registered and unregistered trademarks and logos are the property of their respective owners.

© 2020 Pentair Residential Filtration, LLC. All rights reserved.

4005647 Rev A JA20