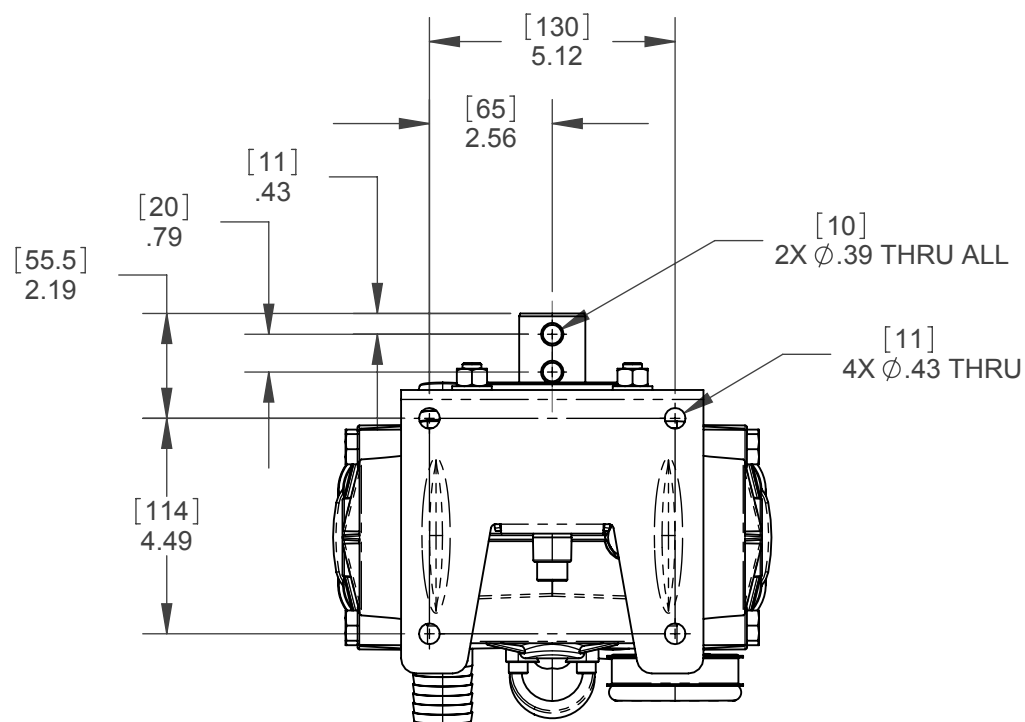
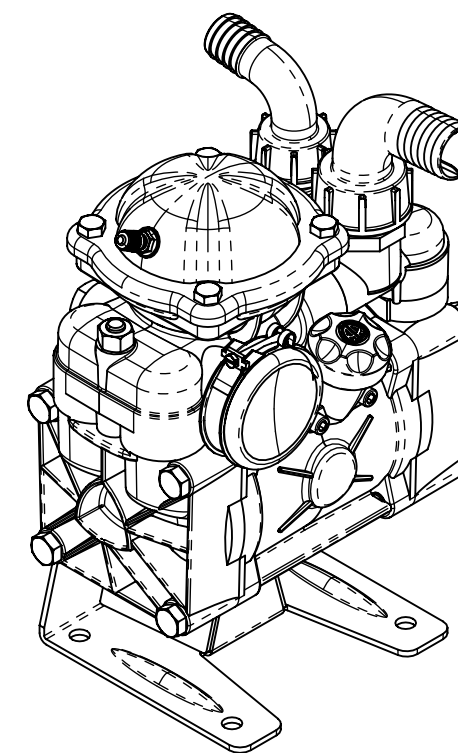
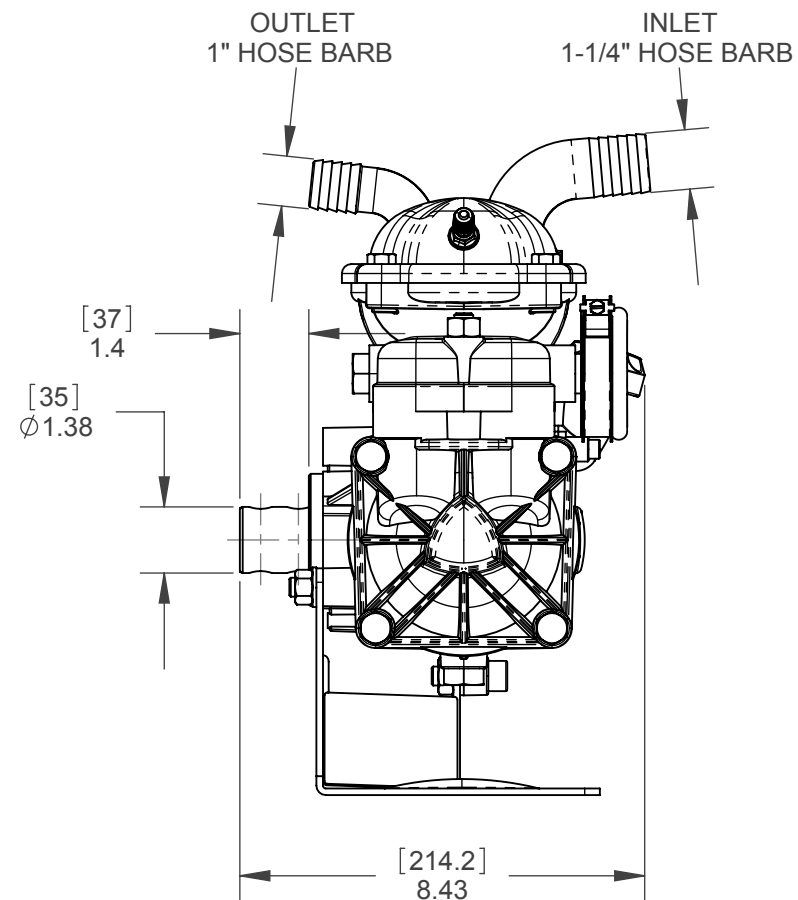
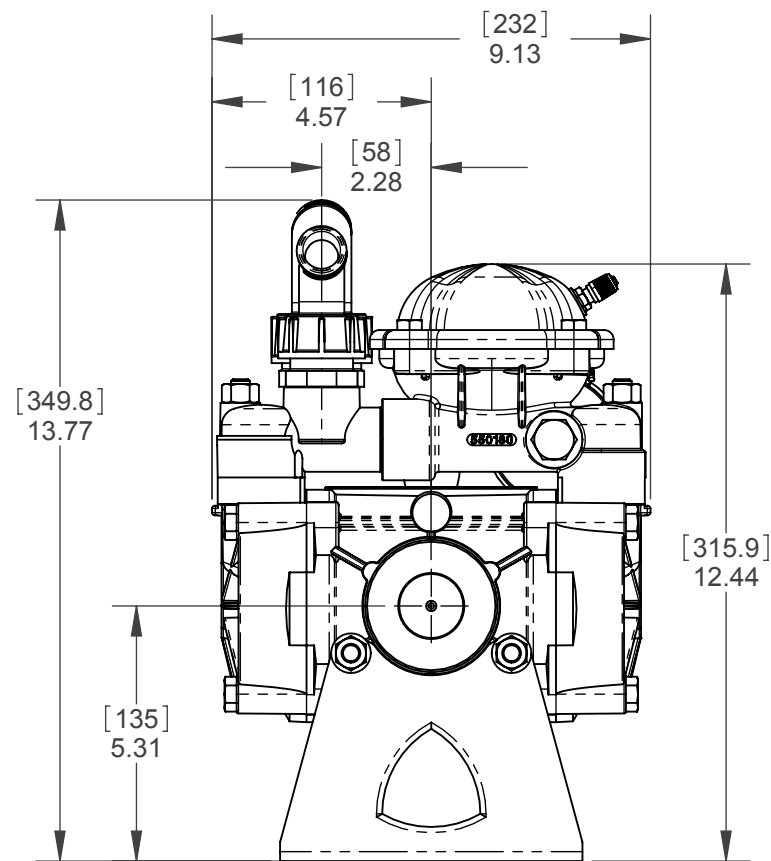


PART NUMBER  
9910-D70



NOTE:

1. DIMENSIONS ARE FOR REFERENCE ONLY.
2. PUMP IS SUPPLIED WITHOUT SHAFT ADAPTER KIT.

 <b>Pentair Water</b> 375 Fifth Avenue NW New Brighton, MN 55112 (651) 766-6300	DRAWING BASED ON ASME Y14.5M-1994	REPLACES PART NO.:	REV.
	 THIRD ANGLE PROJECTION	ALL DIMS. IN INCHES, DIMS. IN [ ] ARE IN MM UNLESS OTHERWISE SPECIFIED	TOLERANCES (+ OR -) ANGLE: N/A° FRACTION: N/A DECIMAL .X: N/A DECIMAL .XX: N/A DECIMAL .XXX: N/A
SURFACE TREATMENT N/A	DO NOT SCALE PRINT	SCALE 1:3	DWG BY: CTJ DATE: 8/26/10 CHECKED BY: DAB DATE: 9/7/10 APPROVED BY: DAB DATE: 9/7/10
HEAT TREATMENT N/A	SHEET NUMBER 1 OF 1	PART VOLUME --- in <sup>3</sup>	THIS DRAWING IS THE PROPERTY OF HYPRO, AND WITHOUT WRITTEN AUTHORIZATION, MUST NOT BE COPIED OR COMMUNICATED
MATERIAL SEE BOM	PART DESCRIPTION PUMP ASSY	PART NUMBER 9910-D70	REV. A

REV.	ECN	REVISION DESCRIPTION	CHKD	DATE
A	-	RELEASE PRINT	CTJ	8/26/2010
REVISIONS				