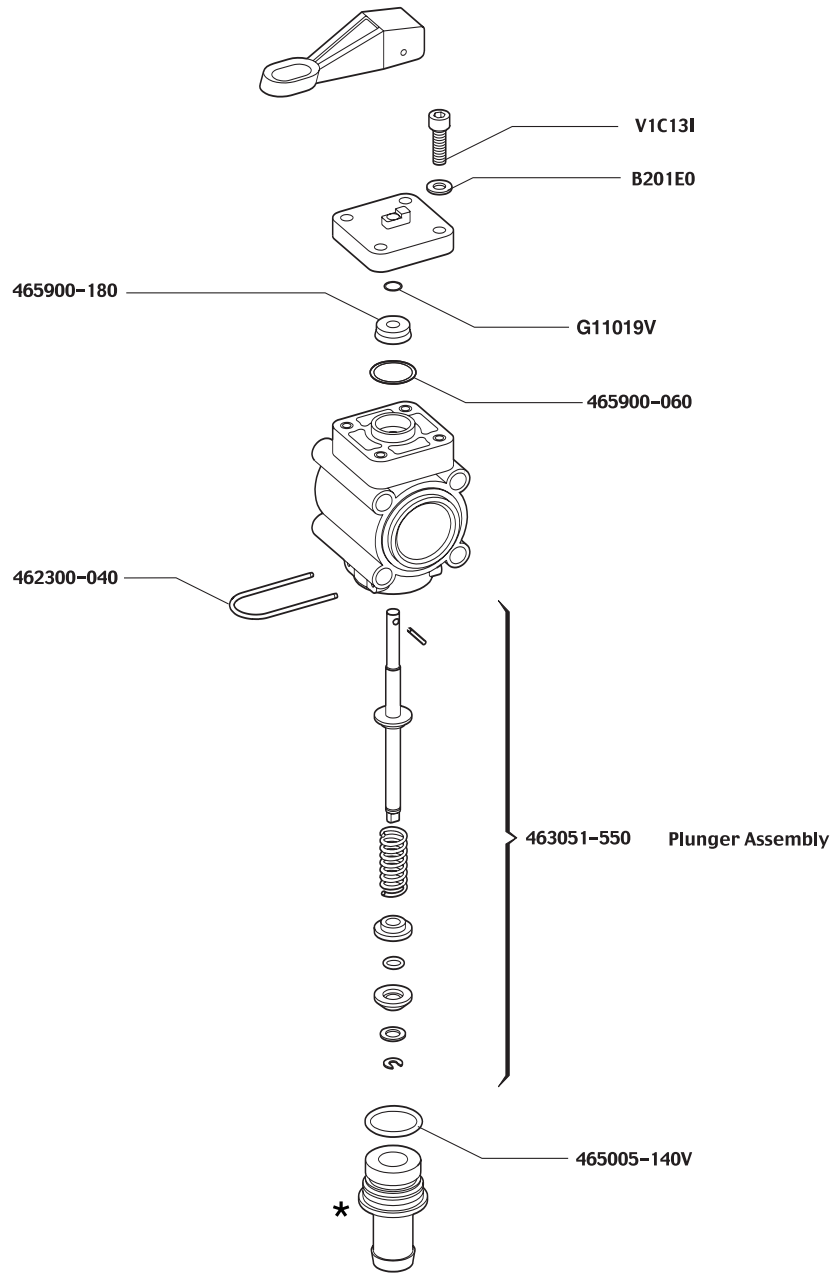


# Parts Breakdown

## BOOM SECTION VALVE

PART NUMBER 463051



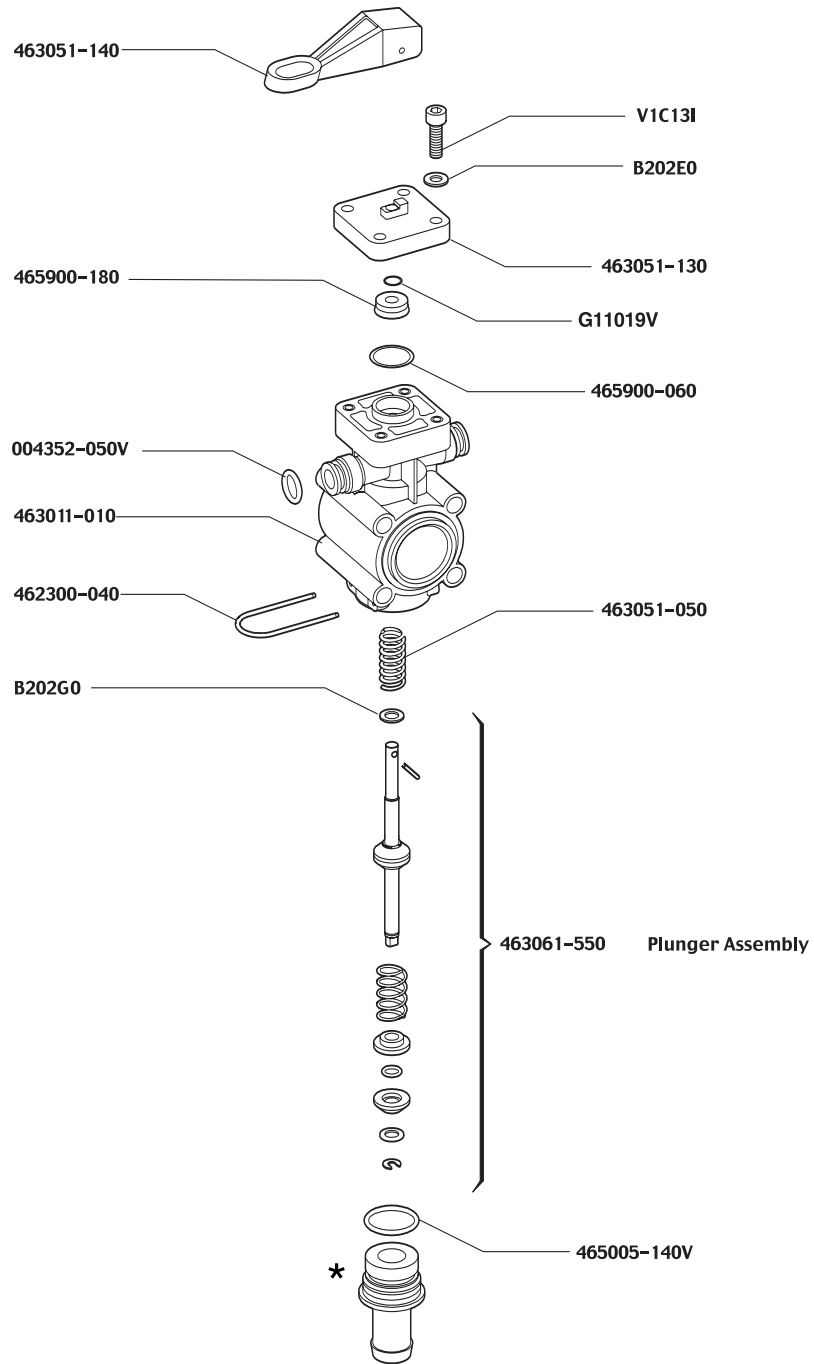
**\* Outlet ports with Viton O-Rings**

Part Number	Hose Barb	FNPT
463001-110-1	3/8"	-
463001-113-1	1/2"	-
463001-119-1	3/4"	-
463001-275N-1	-	3/4"

# Parts Breakdown

## BOOM SECTION VALVE WITH BYPASS

PART NUMBER 463061

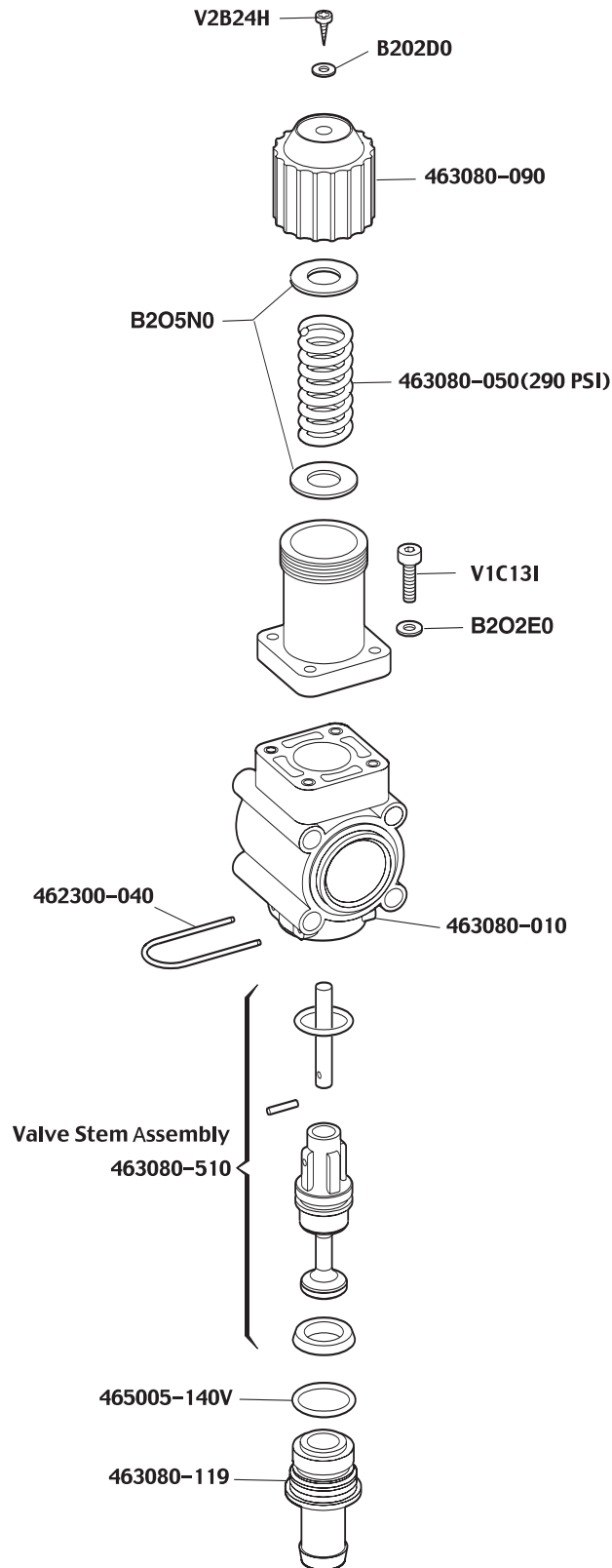


\* Outlet ports with Viton O-Rings

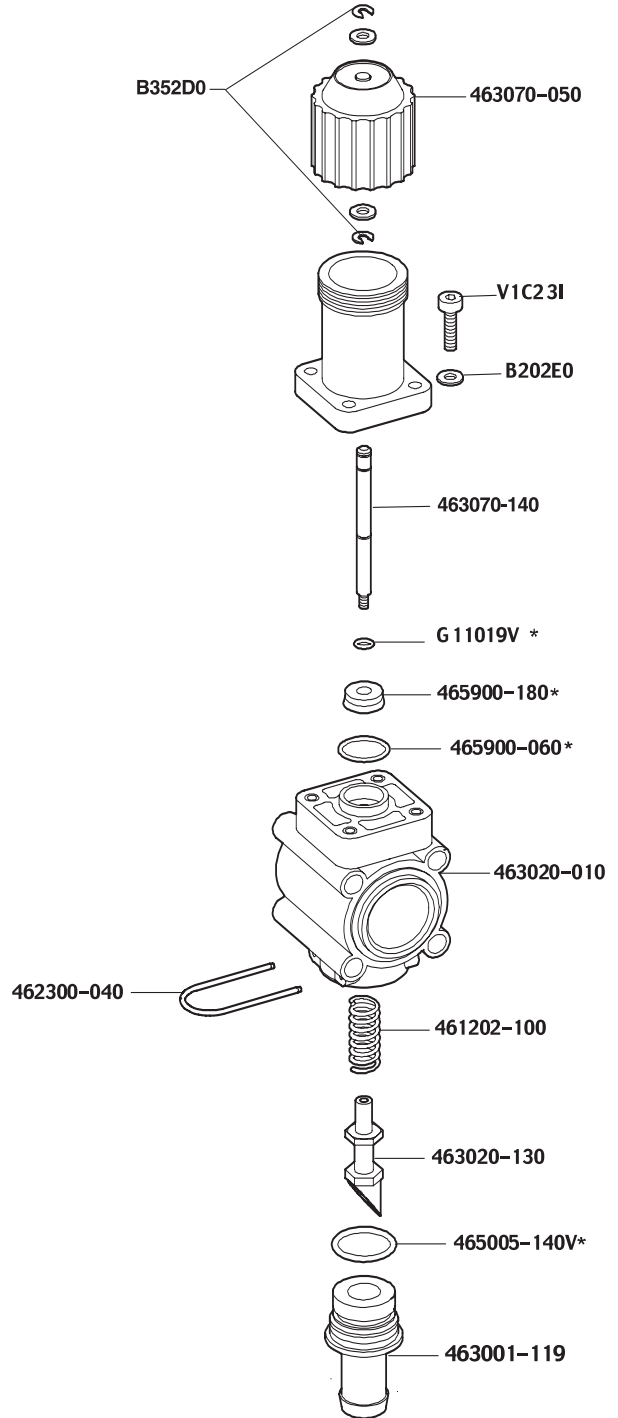
Part Number	Hose Barb	FNPT
463001-110-1	3/8"	-
463001-113-1	1/2"	-
463001-119-1	3/4"	-
463001-275N-1	-	3/4"

# Parts Breakdown

## PRESSURE REGULATING CONTROL VALVE PART NUMBER 463080N



## PROPORTIONAL CONTROL VALVE PART NUMBER 463070N



\* = 463020-500 Gasket set

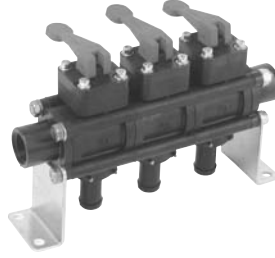
## Manifold Assemblies



**Part Number**

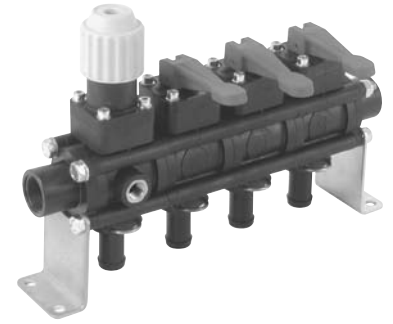
MV-463051-1

3/4" FNPT inlet, 3/4" hosebarb outlets.



**Part Number**

MV-463051-3



**Part Number**

MV-463051-3-MPR

Includes pressure regulating valve

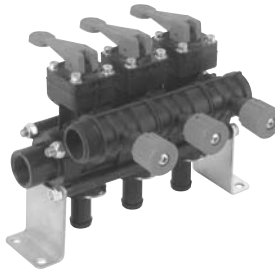
## Manifold Assemblies with Bypass



**Part Number**

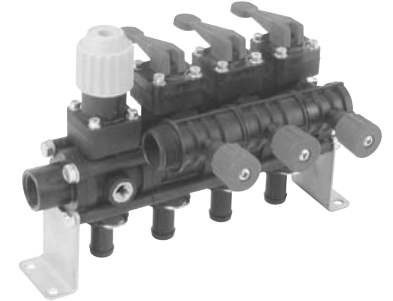
MV-463061-1

3/4" FNPT inlet, 3/4" hosebarb outlets.



**Part Number**

MV-463061-3



**Part Number**

MV-463061-3-MPR

Includes pressure regulating valve

## 463 Series Manifold Mounting Kits

### Boom Manifold Mounting Kits

Brackets can be rotated into any 90° position. Kit includes two mounting brackets, four proper length bolts, washers, lock nuts, and Viton® o-rings as required.



PART NO.	DESCRIPTION
B12151	Lock Nut
B201H1	Washer
463011-100	Mounting Bracket
G10071V	O-ring

Galvanized Part Number	Boom Sections
463000-910	1
463000-920	2
463000-930	3
463000-940	4
463000-950	5
463000-960	6
463000-970	7
463000-980	8
463000-990	9