

2 & 5 Gallon Precharged Pressure Tanks

Vertical Design

Factory Precharged to 20 PSI for Efficiency

Extends pump life by providing more water between pump cycles compared to standard tanks

Heavy-Gauge Steel Construction

For maximum durability and extended life

Precision Press Fit Design

Minimizes gaps between components, reducing corrosion and seam leaks

Convenient Size

Ideal for small water systems and lower-flow applications

Easy Maintenance

NSF-61-approved is non-replaceable diaphragm

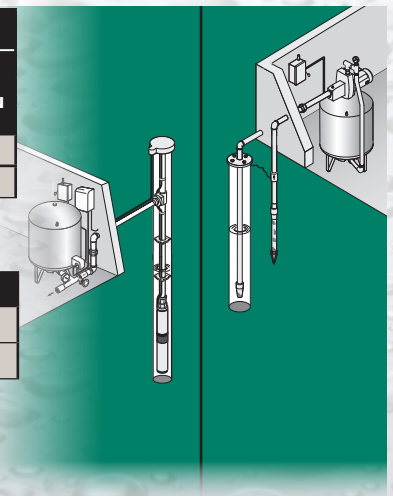


5 GAL FP7107

2 GAL FP105

PERFORMANCE

MODEL	STANDARD TANK EQUIVALENCY	ACTUAL TANK CAPACITY	DRAWDOWN COMPARISON						STYLE	PLUMBING CONNECTION
			PRECHARGED			STANDARD				
			20/40	30/50	40/60	20/40	30/50	40/60		
FP7107	13 Gallons	5 Gallons	1.8	1.5	1.3	1.7	1.5	1.3	Vertical	3/4"
FP7105	6 Gallons	2 Gallons	0.7	0.6	0.5	0.9	0.6	-	Vertical	3/4"



MODEL	WARRANTY	UPC	CARTON DIMENSIONS	PALLET QTY.	WEIGHT
FP7107	5 YEAR	022315363687	13" x 8" x 8"	N/A	6.4 LBS.
FP7105	5 YEAR	022315101449	8.6" x 9" x 13.6"	162	5 LBS.

Includes:

Detailed owner's manual