



293 Wright Street, Delavan, WI 53115

Phone: 1-800-365-6832

Fax: 1-800-526-3757

Web Site: flotecwater.com

OWNER'S MANUAL

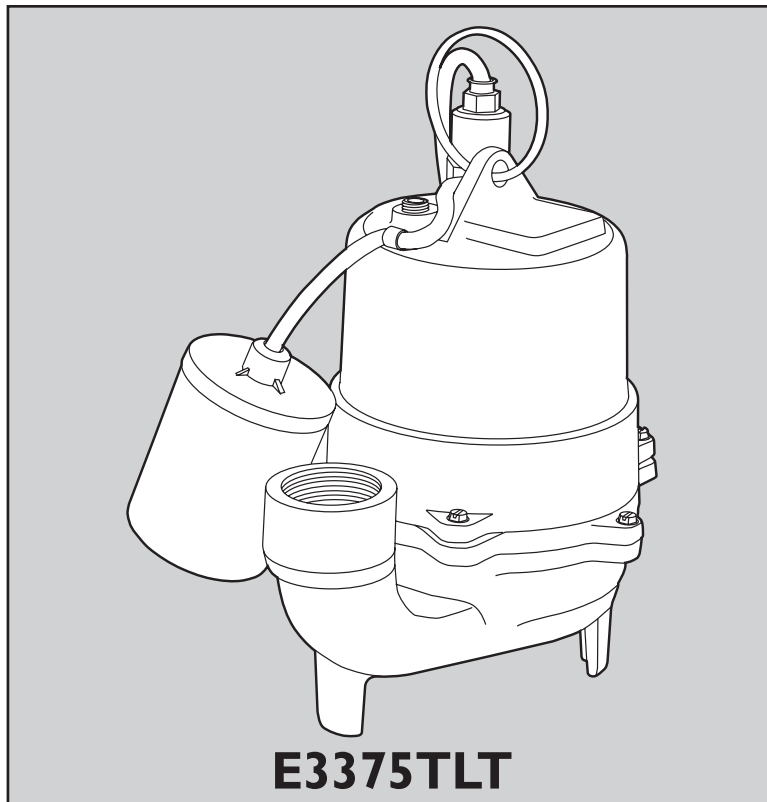
Submersible Effluent Pump

NOTICE D'UTILISATION

Pompe submersible effluent

MANUAL DEL USUARIO

Bomba sumergible de aguas residuales



Installation/Operation/Parts

For further operating, installation, or maintenance assistance:

Call 1-800-365-6832

English. Pages 2-8

Installation/Fonctionnement/Pièces

Pour plus de renseignements concernant l'utilisation, l'installation ou l'entretien,

Composer le 1 (800) 365-6832

Français. Pages 9-15

Instalación/Operación/Piezas

Para mayor información sobre el funcionamiento, instalación o mantenimiento de la bomba:

Llame al 1-800-365-6832

Español Páginas 16-22

Important Safety Instructions

SAVE THESE INSTRUCTIONS - This manual contains important instructions that should be followed during installation, operation, and maintenance of the product. Save this manual for future reference.

⚠ This is the safety alert symbol. When you see this symbol on your pump or in this manual, look for one of the following signal words and be alert to the potential for personal injury!

⚠ DANGER indicates a hazard which, if not avoided, *will* result in death or serious injury.

⚠ WARNING indicates a hazard which, if not avoided, *could* result in death or serious injury.

⚠ CAUTION indicates a hazard which, if not avoided, *could* result in minor or moderate injury.

NOTICE addresses practices not related to personal injury.

Carefully read and follow all safety instructions in this manual and on pump.

Keep safety labels in good condition.

Replace missing or damaged safety labels.


1. Read these rules and instructions carefully. Failure to follow them could cause serious bodily injury and/or property damage.
2. Check your local codes before installing. You must comply with their rules.

3. Vent sewage or septic tank according to local codes.
4. Do not install pump in any location classified as hazardous by National Electrical Code, ANSI/NFPA 80-1984 or the Canadian Electrical Code.
5. Do not run the pump dry. Dry running can overheat the pump, (causing burns to anyone handling it) and will void the warranty.
6. The pump normally runs hot. To avoid burns when servicing pump, allow it to cool for 20 minutes after shut-down before handling it.
7. The pump is permanently lubricated. No oiling or greasing is required in normal operation. For overhaul, see instructions under *Service*.

⚠ WARNING Hazardous voltage. Can shock, burn, or kill. During operation the pump is in water. To avoid fatal shocks, proceed as follows if pump needs servicing:

- Disconnect power to outlet box before unplugging pump.
- Take extreme care when changing fuses. Do not stand in water or put your finger in the fuse socket.
- Do not modify the cord and plug. Plug into a properly grounded outlet only.

⚠ WARNING



Hazardous voltage. Can shock, burn, or cause death.
Ground pump before connecting to power supply. Disconnect power before working on pump, motor or tank.

⚠ Wire motor for correct voltage. See “Electrical” section of this manual and motor nameplate.

⚠ Ground motor before connecting to power supply.

⚠ Meet National Electrical Code, Canadian Electrical Code, and local codes for all wiring.

⚠ Follow wiring instructions in this manual when connecting motor to power lines.

Retain Original Receipt For Warranty Eligibility

Limited Warranty

This Limited Warranty is effective June 1, 2011 and replaces all undated warranties and warranties dated before June 1, 2011. FLOTEC warrants to the original consumer purchaser (“Purchaser” or “You”) that its products are free from defects in material and workmanship for a period of twelve (12) months from the date of the original consumer purchase. If, within twelve (12) months from the original consumer purchase, any such product shall prove to be defective, it shall be repaired or replaced at FLOTEC’s option, subject to the terms and conditions set forth herein. Note that this limited warranty applies to manufacturing defects only and not to ordinary wear and tear. All mechanical devices need periodic parts and service to perform well. This limited warranty does not cover repair when normal use has exhausted the life of a part or the equipment.

The original purchase receipt and product warranty information label are required to determine warranty eligibility. Eligibility is based on purchase date of original product – not the date of replacement under warranty. The warranty is limited to repair or replacement of original purchased product only, not replacement product (i.e. one warranty replacement allowed per purchase). Purchaser pays all removal, installation, labor, shipping, and incidental charges.

For parts or troubleshooting assistance, DO NOT return product to your retail store - contact FLOTEC Customer Service at 1-800-365-6832.

Claims made under this warranty shall be made by returning the product (except sewage pumps, see below) to the retail outlet where it was purchased or to the factory immediately after the discovery of any alleged defect. FLOTEC will subsequently take corrective action as promptly as reasonably possible. No requests for service will be accepted if received more than 30 days after the warranty expires. Warranty is not transferable and does not apply to products used in commercial/rental applications.

Sewage Pumps

DO NOT return a sewage pump (that has been installed) to your retail store. Contact FLOTEC Customer Service. Sewage pumps that have seen service and been removed carry a contamination hazard with them.

If your sewage pump has failed:

- Wear rubber gloves when handling the pump;
- For warranty purposes, return the pump’s cord tag and original receipt of purchase to the retail store;
- Dispose of the pump according to local disposal ordinances.

Exceptions to the Twelve (12) Month Limited Warranty

Product	Warranty Period
FP0F360AC, FP0FDC	90 days
FP0S1775A, FP0S1790PCA, FP0S2400A, FP0S2450A, FP0S4100X, FP2800DCC, FPCP-20ULST, FPPSS3000, FPPSS5000, FPSC2150A, FPSC3150A, FPSC3350A	2 Years
4” Submersible Well Pumps, FP0S3200A, FP0S3250A, FP0S6000A, FPSC1725X, FPSC2200A, FPSC2250A, FPSE3601A	3 Years
FP7100 Series Pressure Tanks, E100ELT, E3305TLT, E3375TLT, E5005TLTT, E50TLT, E50VLT, E75STVT, E75VLT, FPSC3200A, FPSC3250A, FPSC4550A	5 Years

General Terms and Conditions; Limitation of Remedies

You must pay all labor and shipping charges necessary to replace product covered by this warranty. This warranty does not apply to the following: (1) acts of God; (2) products which, in FLOTEC’s sole judgment, have been subject to negligence, abuse, accident, misapplication, tampering, or alteration; (3) failures due to improper installation, operation, maintenance or storage; (4) atypical or unapproved application, use or service; (5) failures caused by corrosion, rust or other foreign materials in the system, or operation at pressures in excess of recommended maximums.

This warranty sets forth FLOTEC’s sole obligation and purchaser’s exclusive remedy for defective products.

FLOTEC SHALL NOT BE LIABLE FOR ANY CONSEQUENTIAL, INCIDENTAL, OR CONTINGENT DAMAGES WHATSOEVER. THE FOREGOING LIMITED WARRANTIES ARE EXCLUSIVE AND IN LIEU OF ALL OTHER EXPRESS AND IMPLIED WARRANTIES, INCLUDING BUT NOT LIMITED TO IMPLIED WARRANTIES OF MERCHANTABILITY AND FITNESS FOR A PARTICULAR PURPOSE. THE FOREGOING LIMITED WARRANTIES SHALL NOT EXTEND BEYOND THE DURATION PROVIDED HEREIN.

Some states do not allow the exclusion or limitation of incidental or consequential damages or limitations on how long an implied warranty lasts, so the above limitations or exclusions may not apply to You. This warranty gives You specific legal rights and You may also have other rights which vary from state to state.

FLOTEC • 293 Wright Street • Delavan, WI U.S.A. 53115

Phone: 1-800-365-6832 • Fax: 1-800-526-3757 • Web Site: flotecwater.com

Description

These submersible sump/effluent and sewage pumps are designed for effluent and wastewater removal, sump drainage, dewatering, flood control. Units have built in thermal overload protection with automatic reset. The mechanical seal and ball bearings on the motor shaft are permanently lubricated. Stainless steel hardware and a heavy duty lift out ring allow for easy disassembly after extended use.

NOTICE: This unit is not designed as a waterfall, pond, or fountain pump, or for applications involving salt water or brine! Use with waterfalls, fountains, salt water or brine will void warranty.

Do not use where water recirculates.

Not designed for use as a swimming pool drainer.

NOTICE: Read this Owner's Manual for installation, operation, and safety information.

Specifications

Power supply required. 115V AC, 60Hz
 Motor HP 1/3
 Motor Full Load Amps. 13.0
 Individual Branch Circuit Required 15A
 Motor duty Continuous*
 Maximum solids size. 3/4 in (19mm)
 Outlet 1-1/2" NPT
 Cord Length 20' (6.1 m)
 Switch Setting
 ON 13.5 in (343mm)
 OFF 4 in (102mm)

* For continuous duty, pump must be fully submerged in a liquid with a maximum temperature of 105° F (41° C).

Performance

GPM (L/min) at Total Feet (m)				
5' (1.5m)	10' (3 m)	15' (4.6m)	20' (6.1m)	No Flow Height
58 (220)	46 (174)	32 (121)	12 (45)	22' (6.7m)

Installation

⚠ WARNING Hazardous voltage. Can shock, burn or kill. Do not lift pump by the power cord. See *Cord Lift Warning*.

NOTICE: Install the pump on a hard, level surface (cement, asphalt, etc.). Never place the pump directly on earth, clay or gravel surfaces.

Piping

Piping must not be smaller than 1-1/2" (38mm). The rate of flow in the discharge pipe must keep any solids present in suspension in the fluid. To meet minimum flow requirements (2 feet per second in the discharge line), size the pipe as follows:

A Pipe Size Of:	Will Handle a Flow Rate Of:
1-1/2" (38mm)	12 GPM
2" (51mm)	21 GPM
2-1/2" (64mm)	30 GPM
3" (76mm)	48 GPM

Use a 1-1/2" (38mm) check valve in pump discharge to prevent backflow of liquid into sump basin. The check valve should be a free flow valve that will easily pass solids. Be sure check valve installation complies with local codes.

NOTICE: For best performance of check valve when handling solids, do not install it with the discharge more than 45° above the horizontal. Do not install the check valve in a vertical position as solids may settle in the valve and prevent it from opening on startup.

Drill a 3/16" (5mm) hole in the discharge pipe about 1–2" (25-51mm) above the pump discharge connection (but below check valve) to prevent airlocking the pump.

Electrical

⚠ WARNING Hazardous voltage. Can shock, burn, or kill. When installing, operating, or servicing this pump, follow the safety instructions listed below.

- DO NOT splice the electrical power cord.
- DO NOT allow the electrical cord plug to be submerged.
- DO NOT use extension cords. They are a fire hazard and can reduce voltage sufficiently to prevent pumping and/or damage motor.
- DO NOT handle or service the pump while it is connected to the power supply.
- DO NOT remove the grounding prong from the plug or modify the plug. To protect against electrical shock, the power cord is a three-wire conductor and includes a 3-prong grounded plug. Plug the pump into a 3-wire, grounded, grounding-type receptacle. Connect the pump according to the NEC or CEC and local codes.

For automatic operation, plug the pump into an automatic float switch or duplex controller. The pump will run continuously when plugged directly into an electrical outlet.

Connect pump to its own individual branch circuit with no other outlets or equipment in the circuit. Size fuses or circuit breakers according to *Specifications*.

⚠ WARNING Risk of electrical shock and fire. Can burn, kill or cause property damage. Be sure that power supply information (Voltage/ Hertz/Phase) on pump motor nameplate matches incoming power supply exactly. Install pump according to all electrical codes that apply.

Operation

⚠ WARNING Risk of fire or explosion. Can cause severe personal injury, property damage or death. Do not use in explosive atmospheres. Pump water only with this pump.


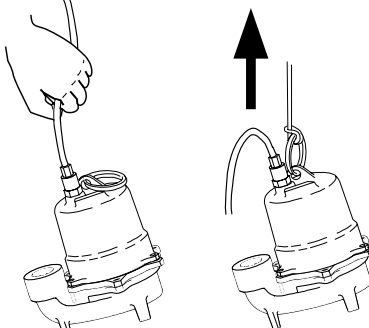
NOTICE: Do not allow the pump to run in a dry sump. It will void the warranty and may damage the pump.

An automatic overload protector in the motor will protect the motor from burning out due to overheating/overloading. When the motor cools down, the overload protector will automatically reset and start the motor.

If the overload trips frequently, check for the cause. It could be a stuck impeller, wrong/low voltage, or an electrical failure in the motor. If an electrical failure in the motor is suspected, have it serviced by a competent repairman.

The pump is permanently lubricated. No oiling or greasing is required.

Cord Lift Warning

<p>⚠ WARNING</p>  <p>Risk of electrical shock. Can burn or kill. Do not lift pump by power cord.</p>		<p>Risk of electrical shock and fire.</p> <ol style="list-style-type: none"> 1. Attempting to lift or support the pump by the power cord can damage cord and cord connections, expose bare wires, and cause a fire or electrical shock. 2. Use lifting ring or handle on top of pump for all lifting or lowering of pump. Disconnect the power to the pump before doing any work on it or attempting to remove it from the pit. 3. Lifting or supporting the pump by the power cord will void the warranty.
--	---	--

General

⚠ WARNING **Hazardous voltage and risk of cord damage.** Can shock, burn, or kill. Before removing the pump from the basin for service, always disconnect electrical power to the pump and the control switch. Do not lift the pump by the power cord. See the *Cord Lift Warning*.

After removing the basin cover and the necessary discharge piping, lift the pump out of the basin.

Place the pump in an area where it can be cleaned thoroughly. Remove all scale and deposits on the pump.

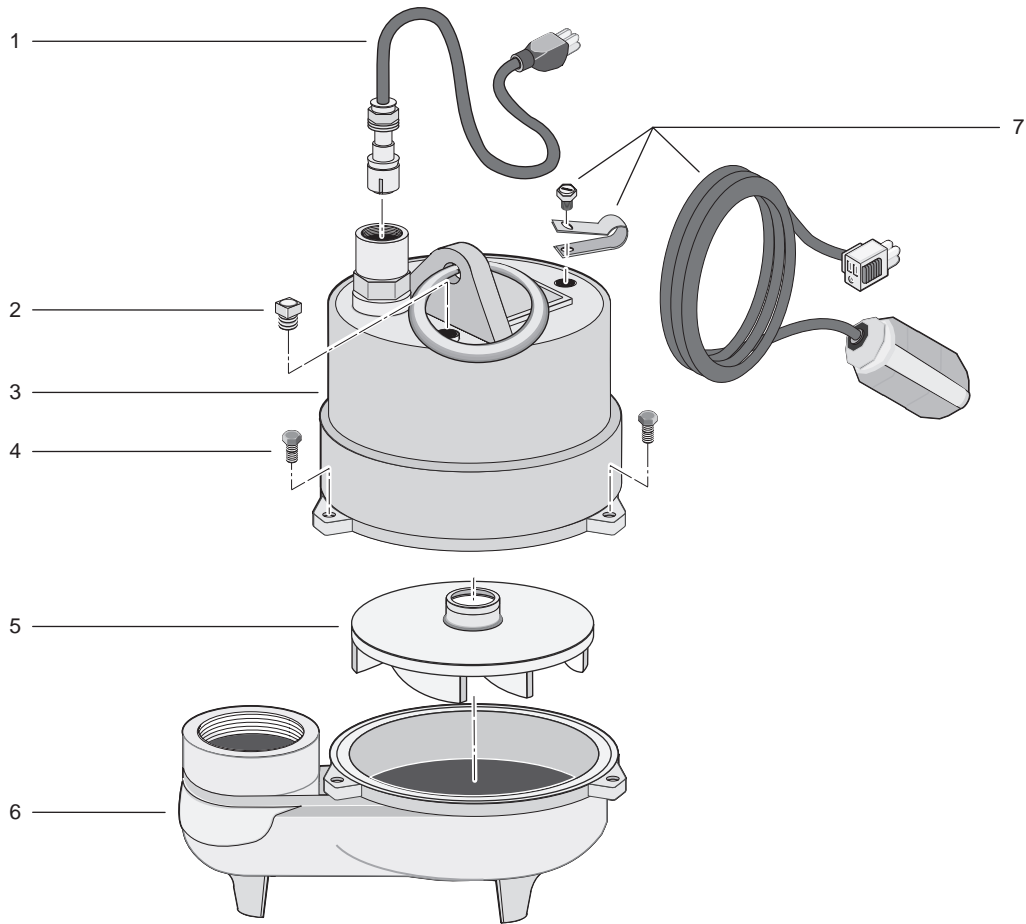
Submerge the complete pump in a disinfectant solution (dilute chlorine bleach) for at least one hour before disassembling the pump.

The pump motor housing contains a special lubricating oil which should be kept clean and free of water at all times.

Impeller Replacement

See *Repair Parts* for assembly view.

1. Remove the three capscrews holding the lower motor housing to the volute; lift off the lower motor housing. Do not remove the three capscrews that fasten the motor cover.
2. Unscrew the impeller by turning it counter-clockwise. Remove impeller and replace it.
3. Reassemble the pump (reverse instructions 1 and 2 above.)



Item	Part Description	Qty.	Part Number
1	Power Cord	1	PW117-122-TSE
2	1/4" NPT Plug	1	*
3	Motor / Housing	1	**
4	#10-32 x 3/4" Capscrew	6	*
5	Impeller	1	PW5-5P
6	Volute	1	PW1-4
7	Automatic Float Switch	1	PS217-64

* Common fastener available at local hardware store


** If motor fails, replace entire pump

⚠ WARNING Sudden Starts. If the power is on to the pump when thermal overload resets, the pump may start without warning. If you are working on the pump, you may get an electrical shock or the impeller may catch fingers or tools. Disconnect the power before servicing the pump.

Pump fails to operate:	1. Check to be sure that power cord is securely plugged into outlet or securely wired into controller or switch box. Disconnect power to outlet before handling pump or motor.
	2. Check to be sure you have electrical power.
	3. Check that liquid fluid level is high enough to activate switch or controller.
	4. Check to be sure that 3/16" (5mm) vent hole in discharge pipe is not plugged.
	5. Check for blockage in pump inlet, impeller, check valve or discharge pipe.
	6. Disconnect the pump from the power source for a minimum of 30 minutes to allow the motor to cool and to protect yourself from sudden starts. See Warning above. Pump is running dry because the float switch is caught up on something. Check for the cause of overheating - inlet or outlet pipe is plugged.
Pump fails to empty sump:	1. Be sure all valves in discharge pipe are fully open.
	2. Clean out discharge pipe and check valve.
	3. Check for blockage in pump inlet or impeller.
	4. Pump not sized properly. A higher capacity pump may be required.
Pump will not shut off:	1. Check switch or controller automatic floats for proper operation and location. See installation instructions for switch controller.
	2. If pump is completely inoperative or continues to malfunction, consult your local serviceman.

Directives de sécurité importantes

Conservez ces directives – Ce manuel renferme d'importantes directives qu'il faut suivre durant l'installation et l'entretien de la pompe.

Ce symbole  indique qu'il faut être prudent. Lorsque ce symbole apparaît sur la pompe ou dans cette Notice, rechercher une des mises en garde qui suivent, car elles indiquent un potentiel de blessures corporelles!

Le mot signal **DANGER** indique un danger qui, s'il n'est pas évité, causera la mort ou des blessures graves.

Le mot signal **AVERTISSEMENT** indique un risque qui, s'il n'est pas évité, pourrait causer la mort ou des blessures graves.

Le mot signal **ATTENTION** indique un risque qui, s'il n'est pas évité, pourrait causer des blessures mineures ou modérées.

Le mot **AVIS** est utilisé pour les pratiques qui ne sont pas reliées aux blessures personnelles.

Lire attentivement toutes les consignes de sécurité contenues dans cette Notice ou collées sur la pompe.

Garder les autocollants de sécurité en bon état.

Les remplacer s'ils manquent ou s'ils ont été endommagés.

1. Lire attentivement toutes ces règles et toutes ces instructions. Ne pas les respecter risque de causer de graves blessures corporelles et/ou des dommages matériels.
2. Avant de procéder à l'installation, consulter les codes de la municipalité et s'y conformer.
3. Aérer le réseau d'égout ou la fosse septique conformément aux codes de la municipalité.

4. Ne pas installer la pompe dans un endroit classé comme étant dangereux par le National Electrical Code, le ANSI/NFPA 80-1984 ou le Code canadien de l'électricité.
5. Ne pas faire fonctionner la pompe à sec, sinon elle risque de surchauffer (et causer des brûlures à quiconque la manipulera). De plus, cette pratique annule la garantie.
6. Il est normal que la pompe soit chaude pendant qu'elle fonctionne. Pour éviter de se brûler lorsque l'on intervient sur la pompe, la laisser refroidir au moins 20 minutes après l'avoir arrêtée et ceci avant de la manipuler.
7. La pompe est lubrifiée en permanence. Aucun huilage ni graissage n'est requis pendant son fonctionnement normal. Pour remettre en état la pompe, se reporter aux instructions figurant sous la rubrique «Entretien».

AVERTISSEMENT Tension dangereuse. Risque de secousses, de brûlures, voire de mort. Pendant le fonctionnement, la pompe est immergée dans l'eau. Pour éviter des secousses électriques mortelles, procéder comme il est indiqué ci-dessous si l'on doit intervenir sur la pompe :




- Couper le courant alimentant le coffret de la prise de courant avant de débrancher la pompe.
- Il faut être extrêmement prudent lorsque l'on remplace les fusibles. Ne pas se tenir dans l'eau ni mettre les doigts dans la douille d'un fusible.
- Ne pas modifier le cordon électrique ni sa fiche. Brancher le cordon d'alimentation dans une prise de terre.


AVERTISSEMENT




Tension dangereuse. Risque de secousses électriques, de brûlures, voire de mort.

Mettre à la terre la pompe avant de la brancher sur le courant électrique. Couper l'arrivée de courant avant d'intervenir sur la pompe, sur le moteur ou sur le réservoir.

-  **Câbler le moteur en fonction de la bonne tension. Voir la Section Électricité de cette Notice et la plaque signalétique du moteur.**
-  **Mettre à la terre le moteur avant de le brancher sur le courant électrique.**
-  **Conforme au Code national de l'électricité, au Code canadien de l'électricité et aux codes municipaux pour tous les câblages.**

-  **Respecter les instructions de câblage figurant dans cette Notice lorsque l'on branche le moteur sur une ligne haute tension.**

Conserver le reçu de caisse original aux fins d'admissibilité à la garantie

Garantie limitée

La présente garantie limitée est entrée en vigueur le 1er juin 2011 et remplace toute garantie non datée ou antérieure à cette date. FLOTEC garantit à l'acheteur/au consommateur d'origine (l'Acheteur) que ses produits sont exempts de tout vice de matériau et de fabrication. Cette garantie est valable pendant douze (12) mois à partir de la date d'achat d'origine. Si, dans les douze (12) mois suivant la date d'achat d'origine, un produit se révèle défectueux, il doit être réparé ou remplacé, à la discrétion de FLOTEC, selon les modalités énoncées aux présentes. Il est à noter que la présente garantie limitée s'applique aux défauts de fabrication seulement. Elle ne couvre pas l'usure normale. Tout dispositif mécanique doit faire l'objet d'un entretien périodique pour veiller à son bon fonctionnement. La présente garantie limitée ne couvre pas les réparations attribuables à l'usure normale d'une pièce ou de l'équipement.

Le reçu de caisse original et l'étiquette d'information sur la garantie sont nécessaires pour déterminer l'admissibilité à la garantie. Cette dernière est établie en fonction de la date d'achat de l'article et non de la date de son remplacement sous garantie. La garantie se limite à la réparation ou au remplacement de l'article original seulement et ne couvre pas l'article de rechange (c.-à-d. un article remplacé sous garantie par achat). L'Acheteur assume les frais de retrait, d'installation, de transport et tous les frais accessoires.

Pour obtenir des pièces ou de l'aide technique, NE PAS retourner le produit au détaillant. Contacter le service à la clientèle de FLOTEC au 1 800 365-6832.

Toute demande de règlement en vertu de la présente garantie doit être faite en retournant l'article (à l'exception des pompes de puisard; voir la marche à suivre ci-dessous) au magasin où celui-ci a été acheté ou à l'usine dès qu'une défectuosité est soupçonnée. FLOTEC prendra les mesures correctives nécessaires dans un délai rapide et raisonnable. Aucune demande de réparation ne sera acceptée plus de 30 jours après l'expiration de la garantie.

La garantie ne peut être cédée et ne s'applique pas aux produits utilisés à des fins commerciales ou de location.

Pompes d'eaux d'égout

NE PAS RETOURNER une pompe d'eaux d'égout (qui a été installée) au détaillant. Communiquer avec le service à la clientèle de FLOTEC. Les pompes d'eaux d'égout qui ont été utilisées, puis retirées présentent un risque de contamination.

En cas de défaillance de la pompe d'eaux d'égout :

- Porter des gants en caoutchouc pour manipuler la pompe.
- À des fins de garantie, retourner l'étiquette figurant sur le cordon de la pompe et l'original du reçu au détaillant.
- Mettre la pompe au rebut conformément à la réglementation locale.

Exceptions à la garantie limitée de douze (12) mois

Produit	Période de garantie
FP0F360AC, FP0FDC	90 jours
FP0S1775A, FP0S1790PCA, FP0S2400A, FP0S2450A, FP0S4100X, FP2800DCC, FPCP-20ULST, FPPSS3000, FPPSS5000, FPSC2150A, FPSC3150A, FPSC3350A	2 ans
Pompes de puits submersibles de 10,2 cm (4 po), FP0S3200A, FP0S3250A, FP0S6000A, FPSC1725X, FPSC2200A, FPSC2250A, FPSE3601A	3 ans
Réservoir préchargé de système d'eau (gamme FP7100), E100ELT, E3305TLT, E3375TLT, E5005TLTT, E50TLT, E50VLT, E75STVT, E75VLT, FPSC3200A, FPSC3250A, FPSC4550A	5 ans

Modalités générales et restriction des recours

L'Acheteur doit payer tous les frais de main d'œuvre et de transport nécessaires au remplacement du produit garanti couvert par cette garantie. Cette garantie ne s'applique pas à ce qui suit : (1) Les catastrophes naturelles; (2) Les produits qui, selon FLOTEC, ont fait l'objet d'une négligence, d'une utilisation abusive, d'un accident, d'une mauvaise application ou d'une altération; (3) Les défaillances dues à une installation, une utilisation, un entretien ou un entreposage inappropriés; (4) Une application, une utilisation ou une réparation atypique ou non approuvée; (5) Les défaillances causées par la corrosion, la rouille ou d'autres matériaux étrangers au système, ou par une utilisation à une pression supérieure au maximum recommandé.

Cette garantie établit la responsabilité unique de FLOTEC et le recours exclusif de l'Acheteur en cas de produit défectueux.

FLOTEC NE POURRA TRE TENUE RESPONSABLE DE TOUT DOMMAGE INDIRECT OU CONSÉCUTIF QUEL QU'IL SOIT.

LA GARANTIE LIMITÉE SUSMENTIONNÉE EST EXCLUSIVE ET REMPLACE TOUTES LES AUTRES GARANTIES EXPRESSES ET TACITES, Y COMPRIS, MAIS SANS S'Y LIMITER, LES GARANTIES DE QUALITÉ MARCHANDE ET D'ADAPTATION À UN USAGE PARTICULIER. LA GARANTIE LIMITÉE SUSMENTIONNÉE NE DOIT PAS ÊTRE PROLONGÉE AU-DELÀ DE LA DURÉE PRÉVUE AUX PRÉSENTES.

Certains États ne permettent pas l'exclusion ou la limitation des dommages indirects ou consécutifs, ni les limitations relatives à la durée des garanties implicites. Par conséquent, il se peut que les limitations ou les exclusions ci-dessus ne s'appliquent pas. Cette garantie procure des droits juridiques précis à l'Acheteur. Cependant, il est possible de bénéficier d'autres droits, qui varient selon l'État.

FLOTEC • 293 Wright Street • Delavan, WI U.S.A. 53115

Téléphone : 1 800 365-6832 • Télécopieur : 1 800 526-3757 • flotecwater.com

Description

Ces pompes de puisard submersibles sont conçues pour éliminer les effluents et les eaux usées, vider les puisards, assécher et lutter contre les inondations. Toutes les pompes sont munies d'un dispositif de protection interne contre les surcharges thermiques à réenclenchement automatique. Les roulements à billes et les joints mécaniques de l'arbre du moteur sont lubrifiés en permanence. Les fixations en acier inoxydable et l'anneau de levage de fort calibre permettent un démontage facile après une utilisation prolongée.

AVIS : Cette pompe n'est pas conçue pour être utilisée en tant que pompe de fontaine ou de chute d'eau ni dans des eaux salées ou de saumure! Son utilisation avec une chute d'eau, une fontaine, de l'eau salée ou de saumure annulera la garantie.

Ne pas utiliser où de l'eau recircule.

AVIS : Lire attentivement cette Notice d'utilisation pour l'installation, le fonctionnement et les consignes de sécurité.

Caractéristiques

Courant d'alimentation requis 115 v, ca, 60 Hz
 Puissance du moteur (ch) 1/3
 Pleine charge en ampères (minimum) 13.0
 Circuit de dérivation individuel requis 15 A
 Fonctionnement du moteur En continu*
 La taille maximale des solides 3 / 4 po. (19mm)
 Sortie 1 1/2 po NPT
 Longueur du cordon électrique 20' (6.1m)
 Réglages de l'interrupteur

ON (Marche) 13.5 po (343mm)
 OFF (Arrêt) 4 po (102mm)

* Pour un fonctionnement continu, la pompe doit être complètement immergée dans un liquide dont la température maximale ne dépassera pas 40,5 °C (105 °F).

Rendement

Gal/min (L/min) à la hauteur totale de refoulement en pi (m)				
5 pi (1,5m)	10 pi (3 m)	15 pi (4,6m)	20 pi (6,1m)	Aucun débit aux hauteurs ci-dessous
58 (220)	46 (174)	32 (121)	12 (45)	22 pi (6,7m)

Installation

⚠ AVERTISSEMENT Tension dangereuse. Risque de secousses, de brûlures, voire de mort. Ne pas lever la pompe par son cordon électrique. Se reporter à *Avertissement concernant le levage par le cordon électrique*.

AVIS : La pompe doit être installée sur une surface dure et de niveau (béton, asphalte, etc.). Ne jamais installer la pompe directement sur une surface en terre, en glaise ou en gravier.

Tuyaux

La tuyauterie doit pas être inférieure à 1-1/2 po. (38mm). Le débit du tuyau de refoulement doit pouvoir permettre de garder toutes les matières solides présentes en suspension dans le liquide. Pour obtenir un débit minimum de 2 pieds par seconde (61 cm/s) dans le tuyau de refoulement, le diamètre du tuyau de refoulement doit correspondre à ceux indiqués ci-dessous :

Un tuyau d'un diamètre de :	Permettre de débiter :
1-1/2 po (38mm)	12 gal/min (45,4 L/m)
2 po (51mm)	21 gal/min (79,5 L/m)
2-1/2 po (64mm)	30 gal/min (113,5 L/m)
3 po (76mm)	48 gal/min (182 L/m)

Brancher un clapet de non retour de 1-1/2 pouce (38mm) sur le tuyau de refoulement de la pompe pour que le liquide ne revienne pas à contre-courant dans le puisard. Le clapet de non retour doit avoir un obturateur à passage intégral qui permettra aux matières solides de passer facilement. S'assurer que l'installation du clapet de non retour est conforme aux codes de la municipalité.

AVIS : Pour obtenir le meilleur rendement possible du clapet de non retour lorsque l'on pompe des matières solides, ne pas brancher le côté refoulement du clapet de non retour à un angle supérieur à 45 ° par rapport à l'horizontale. Ne pas poser le clapet de non retour à la verticale étant donné que les matières solides risqueraient de se déposer sur son obturateur et de l'empêcher de s'ouvrir au démarrage.

Percer un trou de 3/16 de pouce (5mm) dans le tuyau de refoulement, à environ 1 à 2 pouces (25 à 51mm) au-dessus du branchement du refoulement de la pompe (mais pas sous le clapet de non retour) pour empêcher la formation de bouchons d'air dans la pompe.

Électricité

⚠ AVERTISSEMENT **Tension dangereuse.** Risque de secousses, de brûlures, voire de mort. Lorsque l'on installe, fait fonctionner ou intervient sur cette pompe, respecter les consignes de sécurité suivantes.

- NE PAS épisser le cordon électrique.
- NE PAS permettre au cordon électrique d'être immergé.
- NE PAS utiliser de cordon prolongateur. Ce type de cordon présente un danger d'incendie et il risque de réduire suffisamment la tension pour empêcher un pompage adéquat et/ou provoquer des dommages au moteur.
- NE PAS manipuler ou entretenir la pompe pendant qu'elle est branchée sur le courant électrique.
- NE PAS enlever la broche de mise à la terre de la fiche ni modifier cette fiche. Pour protéger contre les secousses électriques, le cordon électrique à 3 conducteurs est muni d'une fiche à 3 broches dont une de mise à la terre. Brancher la pompe dans une prise de courant à 3 trous dont un de mise à la terre et ceci conformément au National Electric Code, au Code canadien de l'électricité et aux codes de la municipalité.

Pour un fonctionnement automatique, brancher ou câbler la pompe sur un interrupteur à flotteur à fonctionnement automatique ou un module de commande duplex. La pompe fonctionnera constamment si elle est branchée directement dans une prise de courant électrique.

Brancher ou câbler la pompe directement sur son propre circuit de dérivation individuel, sans autre prise de courant ni équipement branché sur ce circuit. Déterminer le calibre des fusibles ou des disjoncteurs d'après le Tableau «Caractéristiques».

⚠ AVERTISSEMENT **Risque de secousses électriques et d'incendie** pouvant causer de graves blessures, des dommages matériels, voire la mort. S'assurer que les informations du courant électrique (Tension/ Hertz/Phase) indiquées sur la plaque signalétique du moteur de la pompe correspondent exactement au courant alimentant le circuit de la pompe. Installer la pompe conformément à tous les codes de l'électricité en vigueur.

Fonctionnement

⚠ AVERTISSEMENT **Risque d'incendie ou d'explosion** pouvant causer de graves blessures, des dommages matériels, voire la mort. Ne pas utiliser cette pompe dans des atmosphères explosives, et ne pomper que de l'eau avec cette pompe.

AVIS : Ne pas permettre à la pompe de fonctionner dans un puisard sec, car ceci annulera la garantie et la pompe risquera d'être endommagée.

Le dispositif de protection contre les surcharges à fonctionnement automatique du moteur l'empêchera de brûler suite à une surchauffe/surcharge. Dès que le moteur refroidit, le dispositif de protection contre les surcharges se réarme automatiquement et démarre le moteur.

Si le dispositif de protection contre les surcharges se déclenche fréquemment, en rechercher la cause. Ceci peut être causé par un impulseur coincé, une mauvaise/basse tension ou une défectuosité électrique du moteur. Si on pense qu'il y a défectuosité électrique du moteur, remplacer la pompe.

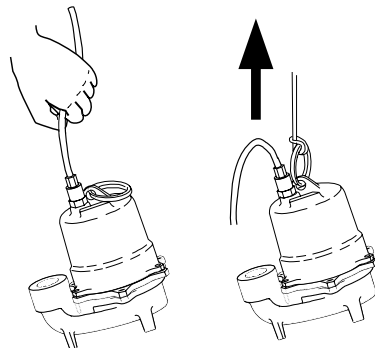
La pompe est lubrifiée en permanence. Aucun huilage et aucun graissage ne sont requis.

Avertissement concernant le levage par le cordon électrique

⚠ AVERTISSEMENT



Risque de secousses électriques.
Risque de brûlures ou de mort.
Ne pas lever la pompe par son cordon électrique.



Risques de secousses électriques et d'incendie.

1. Les connexions et le cordon électrique de la pompe pourrait être endommagés si on essaie de lever ou de supporter la pompe par son cordon. Le cordon peut se débrancher et des fils nus peuvent être exposés, ce qui peut présenter un risque d'incendie ou de secousses électriques.
2. Pour l'anneau de levage ou la poignée de la pompe, toujours utiliser sa poignée de levage qui se trouve dessus. Avant d'intervenir sur la pompe ou avant de la sortir du puisard, couper le courant qui l'alimente.
3. La garantie sera annulée si on lève ou supporte la pompe par son cordon électrique.

Généralités

⚠ AVERTISSEMENT **Tension dangereuse et risque que le cordon électrique** soit endommagé. Risque de secousses, de brûlures, voire de mort. Avant de sortir la pompe du puisard pour l'entretenir, toujours couper le courant électrique alimentant la pompe et l'interrupteur de commande. Ne pas lever la pompe par son cordon électrique. Se reporter à «*Avertissement concernant le levage par le cordon électrique*».

Après avoir déposé le couvercle du puisard et débranché, au besoin, le tuyau de refoulement, sortir la pompe du puisard.

Mettre la pompe dans un endroit où elle pourra être nettoyée à fond. Enlever tout le tartre et tous les dépôts de la pompe.

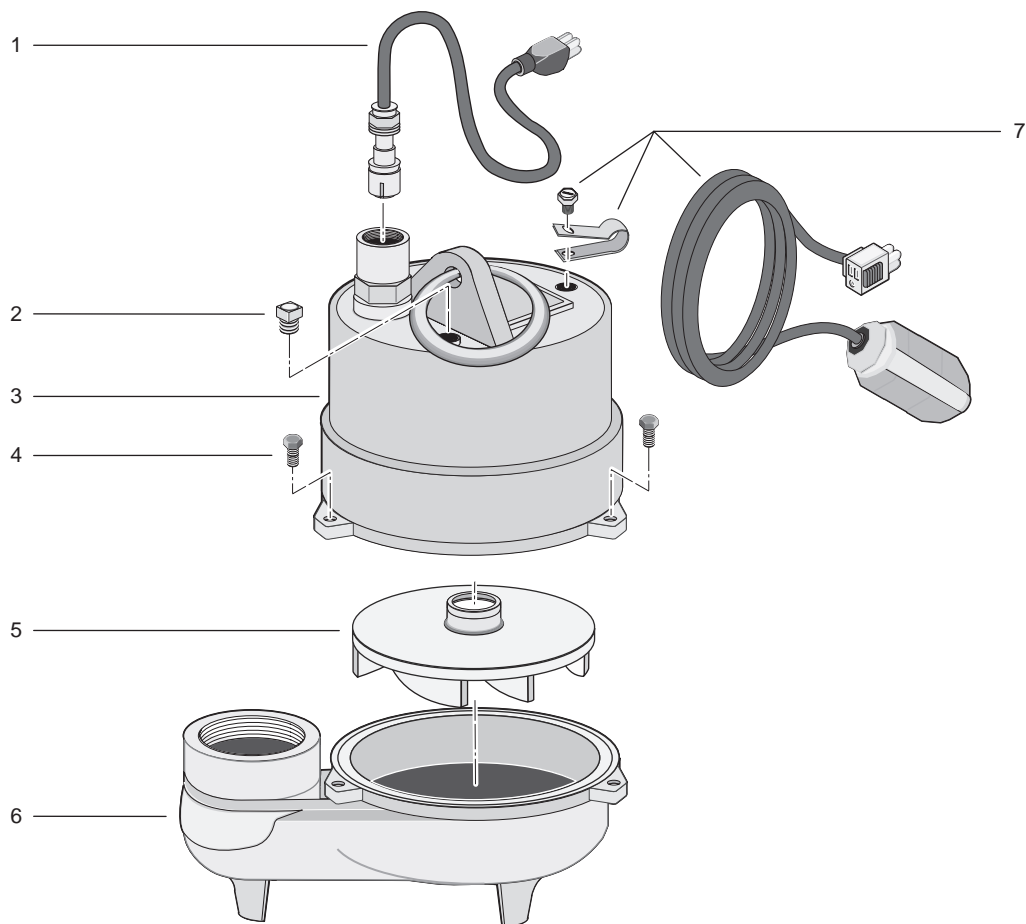
Immerger toute la pompe dans une solution désinfectante (agent chloré) pendant au moins une heure avant de la démonter.

Le carter de la pompe contient une huile lubrifiante spéciale. Toujours garder cette huile propre et débarrassée d'eau.

Remplacement de l'impulseur

Se reporter au bon schéma de démontage de la pompe du «*Pièces de rechange*».

1. Déposer les trois vis à chapeau de fixation du carter inférieur du moteur sur la volute; sortir le carter inférieur du moteur. Ne retirez pas les trois vis à tête qui maintiennent le couvercle du moteur.
2. Dévisser l'impulseur en le tournant à gauche. Retirez l'impulseur et de le remplacer.
3. Remonter la pompe (en procédant à l'inverse des opérations 1 et 2 ci-dessus)..



Réf.	Désignation	Qté	No. de pièce
1	Cordon électrique	1	PW117-122-TSE
2	Bouchon fileté mâle de 1/4 de pouce NPT	1	*
3	Carter supérieur du moteur	1	**
4	Vis à chapeau n° 10-32 x 3/4 de po	6	*
5	Impulseur	1	PW5-5P
6	Volute	1	PW1-4
7	Interrupteur à flotteur à fonctionnement automatique	1	PS217-64

* Fixation commune disponible au magasin local de matériel

** Si le moteur ne parvient pas remplacer la pompe entière

⚠ AVERTISSEMENT Démarrage soudain. Si le courant alimente la pompe lorsque le dispositif de protection contre les surcharges thermiques se réenclenche, la pompe risque de démarrer sans avertissement. Si, à ce moment-là, on intervient sur la pompe, on risque de subir des secousses électriques ou bien de se coincer les doigts dans l'impulseur ou bien des outils risquent de se coincer dans l'impulseur. Toujours couper le courant alimentant la pompe avant d'intervenir sur la pompe.

La pompe ne fonctionne pas :	1. S'assurer que le cordon électrique est enfoncé à fond dans la prise de courant. Couper le courant électrique alimentant la prise de courant avant de manipuler la pompe ou le moteur.
	2. S'assurer que le courant électrique parvient à la pompe.
	3. S'assurer que le niveau du liquide est suffisamment haut pour actionner l'interrupteur ou le contrôleur.
	4. S'assurer que le tuyau de refoulement comporte un trou d'aération ayant au moins 5mm (3/16 de pouce) de diamètre et que ce trou n'est pas bouché.
	5. S'assurer que l'admission de la pompe, l'impulseur, le clapet de non retour ou le tuyau de refoulement ne sont pas obstrués.
	6. Débrancher la pompe du courant qui l'alimente pendant au moins 30 minutes pour laisser refroidir le moteur et se protéger contre les démarrages soudains. Se reporter à l'avertissement ci-dessous. La pompe fonctionne à sec parce que l'interrupteur à flotteur est coincé. Vérifier la cause de la surchauffe - le tuyau d'admission de la pompe et le refoulement de la pompe est bouché.
La pompe ne vide pas le puisard :	1. S'assurer que tous les robinets du tuyau de refoulement sont complètement ouverts.
	2. Nettoyer le tuyau de refoulement et le clapet de non retour.
	3. S'assurer que l'admission de la pompe ou que l'impulseur ne se sont pas obstrués.
	4. La pompe n'est peut-être pas suffisamment puissante. Dans ce cas, une pompe d'une puissance supérieure est peut-être requise.
La pompe ne s'arrête pas :	1. S'assurer du bon fonctionnement et du bon emplacement du ou des interrupteurs à flotteur(s) à fonctionnement automatique ou du contrôleur. Se reporter aux instructions d'installation du fabricant des interrupteurs ou du contrôleur.
	2. Si la pompe ne fonctionne pas du tout ou si elle continue de mal fonctionner, s'adresser à un réparateur local.

Instrucciones importantes de seguridad

Guarde estas instrucciones - Este manual contiene instrucciones importantes que se deben seguir durante la instalación y el mantenimiento del bombas de sumidero.

▲ Este es un símbolo de alerta sobre la seguridad. Cuando vea este símbolo en su bomba o en este manual, busque para ver si hay alguna de las siguientes palabras de señal y esté alerta a la posibilidad de lesiones personales.

▲ PELIGRO indica un riesgo que, de no evitarse, *provocará* la muerte o lesiones de gravedad.

▲ ADVERTENCIA indica un riesgo que, de no evitarse, *podría provocar* la muerte o lesiones de gravedad.

▲ PRECAUCIÓN indica un riesgo que, de no evitarse, *podría provocar* lesiones leves o moderadas.

AVISO hace referencia a una práctica no relacionada con una lesión física.

Lea y siga cuidadosamente todas las instrucciones de seguridad en este manual y en la bomba.

Mantenga las etiquetas de seguridad en buenas condiciones.

Reemplace las etiquetas de seguridad faltantes o dañadas.

1. Es importante que lea cuidadosamente estas reglas e instrucciones. Si se ignoran, existe el riesgo de lesiones corporales graves y/o daños materiales.
2. Verifique sus códigos locales antes de la instalación. Deberá cumplir con sus reglas.

3. Ventile el tanque cloacal o séptico según los códigos locales.
4. No instale la bomba en ningún lugar clasificado como peligroso por el Código Eléctrico Nacional, la norma 80-1984 de ANSI/NFPA o el Código Eléctrico Canadiense.
5. No haga marchar la bomba en seco. La marcha en seco puede hacer que la bomba se recaliente (causando quemaduras a la persona que la esté manipulando), y anulará la garantía.
6. La bomba está caliente al tacto durante la operación. Para evitar quemaduras durante las operaciones de reparación y mantenimiento, deje que se enfríe durante 20 minutos después de haberla apagado y antes de manipularla.
7. La bomba viene con lubricación permanente. Bajo un servicio normal, no se necesitará aceitar ni engrasar. Para ponerla a punto, consulte las instrucciones en la sección de "Servicio".

▲ ADVERTENCIA Tensión peligrosa. Puede causar choque, quemaduras o muerte. La bomba se encuentra en agua durante la operación. Para evitar choques fatales, continúe de la siguiente manera, si la bomba necesita reparaciones:

- Desconecte la corriente a la caja de salida antes de desenchufar la bomba.
- Tenga mucho cuidado cuando cambie los fusibles. No se pare en el agua ni ponga los dedos en un portafusible.
- No modifique el cordón ni el enchufe. Conecte el cable de alimentación a una toma de tierra.

▲ ADVERTENCIA



Voltaje peligroso. Puede ocasionar conmoción, quemaduras e incluso la muerte.

Conecte la bomba a tierra antes de conectarla a la alimentación eléctrica. Desconecte la alimentación de energía antes de trabajar en la bomba, el motor o el tanque.

▲ Conecte el motor al voltaje correcto. Vea la sección *Electricidad* en este manual y la placa del motor.

▲ Conecte el motor a tierra antes de conectarlo a la alimentación de energía.

▲ Cumpla con las indicaciones del Código Nacional Eléctrico, el de Canadá y los códigos locales para toda la conexión eléctrica.

▲ Siga las instrucciones de conexión eléctrica en este manual al conectar el motor a las líneas de energía eléctrica.

Retener el recibo original a fin de determinar la elegibilidad para la garantía

Garantía limitada

Esta Garantía Limitada entra en vigor el 1 de junio de 2011 y sustituye toda garantía sin fecha o garantía con fecha anterior al 1 de junio de 2011. FLOTEC le garantiza al comprador consumidor original (el "Comprador" o "Usted") de sus productos, que éstos estarán libres de defectos en materiales y en mano de obra por un período de doce (12) meses, a partir de la fecha de la compra original del consumidor. Si dentro de los doce (12) meses a partir de la fecha de la compra inicial del consumidor, Será reparado o reemplazado a opción de la FLOTEC, sujeto a los términos y condiciones establecidos en la presente. Tome nota de que esta garantía limitada cubre defectos de manufactura solamente y no el desgaste común. Todos los aparatos mecánicos periódicamente necesitan repuestos y servicio para un funcionamiento correcto. Esta garantía limitada no cubre las reparaciones que se realicen cuando el uso normal haya agotado la vida útil de una pieza o del aparato.

Es necesario retener el recibo de compra original y la etiqueta de información de la garantía a fin de determinar la elegibilidad para la garantía. La elegibilidad se basa en la fecha de compra del producto original - no en la fecha del reemplazo bajo la garantía. La garantía es limitada y cubre solamente la reparación o el reemplazo del producto original adquirido, no del producto reemplazado (es decir que se permite un reemplazo por compra bajo la garantía). El comprador pagará todos los costos de remoción, instalación, mano de obra y envío necesarios, así como todo costo adicional asociado.

Si necesita piezas o resolución de problemas, NO regrese el producto a la tienda minorista. Llame el Servicio a la Clientela de FLOTEC al 1-800-365-6832.

Las reclamaciones hechas bajo esta garantía se realizarán mediante la devolución del producto (a excepción de las bombas cloacales - ver a continuación) al concesionario de venta al público en donde se haya adquirido o a la fábrica, inmediatamente después de haber descubierto cualquier presunto defecto. FLOTEC entonces tomará la medida correctiva tan pronto como sea razonablemente posible. No se aceptarán solicitudes de servicio, si se reciben más de 30 días después del vencimiento de esta garantía.

La garantía no es transferible y no cubre productos utilizados en aplicaciones comerciales o de alquiler.

Bombas cloacales

NO devuelva una bomba cloacal (que se haya instalado) a su tienda minorista. Comuníquese con el Departamento de Atención al Cliente de FLOTEC. Las bombas cloacales que hayan estado en servicio y se hayan removido pueden representar un peligro de contaminación.

Si su bomba cloacal ha fallado:

- Use guantes de caucho cuando manipule la bomba;
- Para los fines de la garantía, devuelva la etiqueta del cordón de la bomba y el recibo de compra original a la tienda minorista;
- Descarte la bomba cumpliendo con todas las normas locales que correspondan para su eliminación.

Excepciones para la Garantía limitada de Doce (12) Meses

Producto	Período de garantía
FP0F360AC, FP0FDC	90 días
FP0S1775A, FP0S1790PCA, FP0S2400A, FP0S2450A, FP0S4100X, FP2800DCC, FPCP-20ULST, FPPSS3000, FPPSS5000, FPSC2150A, FPSC3150A, FPSC3350A	2 años
Bombas de pozo sumergibles de 4", FP0S3200A, FP0S3250A, FP0S6000A, FPSC1725X, FPSC2200A, FPSC2250A, FPSE3601A	3 años
Tanque precargado del sistema de agua (Serie FP7100), E100ELT, E3305TLT, E3375TLT, E5005TLTT, E50TLT, E50VLT, E75STVT, E75VLT, FPSC3200A, FPSC3250A, FPSC4550A	5 años

Términos y condiciones generales; Limitación de recursos

Usted deberá pagar por todos los gastos de mano de obra y de envío necesarios para reemplazar el producto cubierto por esta garantía. Esta garantía no se aplicará en las siguientes situaciones: (1) caso de fuerza mayor (2) productos que, a sólo juicio de FLOTEC hayan sido sometidos a negligencia, abuso, accidente, mala aplicación, manejo indebido o alteraciones; (3) fallas debido a instalación, operación, mantenimiento o almacenamiento inadecuados; (4) aplicaciones, usos o servicios que no sean normales o aprobados; (5) fallas provocadas por corrosión, herrumbre u otros materiales extraños en el sistema, o una operación a presiones que excedan los máximos recomendados.

Esta garantía establece la única obligación de FLOTEC y el recurso exclusivo del Comprador con respecto a los productos defectuosos. FLOTEC NO SE HARÁ RESPONSABLE DE NINGÚN DAÑO—O CONSECUENTE, INCIDENTAL O CONTINGENTE.

LAS GARANTÍAS LIMITADAS QUE ANTECEDEN SON EXCLUSIVAS Y EN LUGAR DE TODA OTRA GARANTÍA EXPLÍCITA E IMPLÍCITA, INCLUYENDO, PERO SIN LIMITARSE A LAS GARANTÍAS IMPLÍCITAS DE COMERCIALIZACIÓN E IDONEIDAD PARA UN FIN ESPECÍFICO. LAS GARANTÍAS LIMITADAS QUE ANTECEDEN NO SE EXTENDERÁN MÁS ALLÁ DEL PERÍODO DE DURACIÓN INDICADO EN LA PRESENTE.

Algunos Estados no permiten la exclusión o limitación de daños incidentales o consecuentes o de limitaciones de tiempo sobre garantías implícitas, de modo que es posible que las limitaciones o exclusiones que preceden no correspondan en su caso. Esta garantía le otorga derechos legales específicos y es posible que Usted también tenga otros derechos que pueden variar de un Estado al otro.

FLOTEC • 293 Wright Street • Delavan, WI 53115 U.S.A.

Teléfono: 1-800-365-6832 • Fax: 1-800-526-3757 • Sitio Web: flotecwater.com

Descripción

Estas bombas sumergibles para sumideros, efluente y aguas residuales han sido diseñadas para la remoción de efluente y aguas residuales, el drenaje de sumideros, achique y control de inundaciones. Las unidades vienen equipadas con un protector contra sobrecarga térmica de reposición automática. La junta mecánica y los cojinetes de bolas en el eje del motor tienen lubricación permanente. Los accesorios de acero inoxidable y el aro de sujeción de gran resistencia permiten un desensamblaje fácil después de un uso prolongado.

AVISO: Este aparato no está diseñado como bomba de cascada o fuente, ni para aplicaciones con agua salada o de mar. El uso con cascadas, fuentes, agua salada o de mar anulará la garantía.

No usar en donde hay recirculación de agua.

AVISO: Es importante leer este Manual del Propietario con información sobre la instalación, la operación y la seguridad.

Especificaciones

- Suministro de corriente requerido 115VAC, 60 Hz
- HP del motor 1/3
- Carga total del motor en amperios 13.0
- Requiere un ramal individual 15 A
- Servicio del motor Continuo*
- El tamaño máximo de los sólidos 3 / 4 po. (19 mm)
- Salida 1-1/2" NPT
- Largo del cordón 20' (6.1 m)
- Graduación del conmutator:
 - ON (encendido) 13.5 in (343mm)
 - OFF (apagado) 4 in (102mm)

* Para un servicio continuo, la bomba debe estar completamente sumergida en un líquido a una temperatura máxima de 105° F (40.5° C).

Rendimiento

G/m (L/m) a altura total en pi (m)				
5' (1.5m)	10' (3 m)	15' (4.6m)	20' (6.1m)	No hay flujo a las alturas que se indican abajo
58 (220)	46 (174)	32 (121)	12 (45)	22' (6.7m)

Instalación

ADVERTENCIA **Tensión peligrosa.** Puede causar choques, quemaduras o muerte. No levante la bomba por medio del cordón de corriente. Consulte la *Advertencia sobre levantar por el cordón*.

AVISO: Instale la bomba sobre una superficie dura, nivelada (cemento, asfalto, etc.). Nunca coloque la bomba directamente sobre superficies de tierra, arcilla o arenilla.

Tubería

La tubería no debe ser menor que 1-1/2 "(38mm). La velocidad de gasto en la tubería de descarga deberá mantener toda partícula sólida presente en suspensión dentro del líquido. Para cumplir con el mínimo de requisitos de flujo (2 pies (0.6 m) por segundo en la línea de descarga, las tuberías deberán ser de los tamaños siguientes:

Una tubería de:	Manipulará una velocidad de gasto de:
1-1/2" (38mm)	45 L/M
2" (51mm)	79 L/M
2-1/2" (64mm)	113 L/M
3" (76mm)	182 L/M

Use una válvula de retención de 1-1/2" (38mm) en la descarga de la bomba para evitar retroflujo de líquido a la esclusa del sumidero. La válvula de retención deberá ser una válvula de flujo libre que pueda pasar partículas sólidas con facilidad. Asegúrese de que la instalación de la válvula de retención se realice conforme a los códigos locales.

AVISO: Para un mejor rendimiento de la válvula de retención en el manejo de partículas sólidas, no la instale con la descarga en un ángulo mayor de 45° sobre el nivel horizontal. No instale la válvula de retención en una posición vertical, ya que eso puede hacer que las partículas sólidas se asienten en la válvula y eviten que se abra durante el arranque.

Perfore un orificio de 3/16" (5mm) en la tubería de descarga, a unos 1-2" (25 – 51mm) por encima de la conexión de descarga de la bomba (pero debajo de válvula de retención), para evitar la creación de bolsas de aire en la bomba.

Sistema eléctrico

ADVERTENCIA Tensión peligrosa. Puede causar choque, quemaduras o muerte. Cuando instale, opere o repare esta bomba, observe las instrucciones de seguridad indicadas a continuación.

- NO empalme el cordón de corriente eléctrica.
- NO permita que se sumerja el enchufe del cordón eléctrico.
- NO use cordones de alargue. Representan un peligro de incendio, y pueden reducir la tensión lo suficiente como para evitar el bombeo y/o perjudicar el motor.
- NO manipulee ni repare la bomba mientras esté conectada al suministro de energía.
- NO saque la punta de conexión a tierra del enchufe ni lo modifique de ninguna forma. Para protegerse contra choques eléctricos, el cordón de corriente es un conductor trifilar e incluye un enchufe de tres puntas con conexión a tierra. Enchufe la bomba en una toma de corriente trifilar, con conexión a tierra y debidamente puesta a tierra. Conecte la bomba según los códigos eléctricos NEC o CEC y los códigos locales.

Para una operación automática, enchufe o cablee la bomba en un conmutador automático de flotador o un controlador dúplex. La bomba funcionará continuamente si está enchufada directamente en una toma de corriente eléctrica.

Conecte o cablee la bomba en su propio un ramal individual, sin ninguna otra toma de corriente ni equipo conectados al mismo. El tamaño de los fusibles o de los disyuntores debe ser de acuerdo a la tabla de *Especificaciones*.

ADVERTENCIA Riesgo de choque eléctrico y de incendio. Puede causar lesiones graves, daños materiales o muerte. Asegúrese de que la información sobre el suministro de corriente (tensión/hertz/fase) que aparece en la placa de fábrica del motor de la bomba, corresponda exactamente con el suministro de corriente de entrada. Instale la bomba conforme a todos los códigos eléctricos que correspondan.

Operación

ADVERTENCIA Riesgo de incendio o de explosión. Puede causar lesiones graves, daños materiales o muerte. No se debe usar en atmósferas explosivas. Esta bomba se debe utilizar solamente para bombear agua.

AVISO: No permita que la bomba marche en un sumidero seco, ya que invalidará la garantía y podrá perjudicar a la bomba.


Un protector automático de sobrecarga en el motor protegerá al motor para que no se queme debido a recalentamiento o sobrecarga. Cuando el motor se enfríe, el protector de sobrecarga se reposicionará automáticamente y arrancará el motor.

Si la sobrecarga se dispara con frecuencia, verifique cuál es la causa. Podría ser un impulsor atascado, tensión baja o inadecuada, o una falla eléctrica en el motor. Si se sospecha que la razón es una falla eléctrica en el motor, llame a una persona calificada para reparaciones.

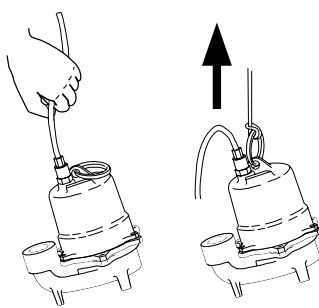
La bomba viene lubricada en forma permanente. No se necesita aceitar ni engrasar.

Advertencia sobre levantar por el cordón

ADVERTENCIA



Peligro de choque eléctrico.
Puede quemar o matar.
No levantar la bomba por el cordón eléctrico



Peligro de choque eléctrico e incendio.

1. Si se trata de levantar o de sostener la bomba por el cordón eléctrico, se puede dañar el cordón y la conexión del cordón, dejar expuestos los hilos desnudos y provocar un incendio o un choque eléctrico.
2. Utilice el aro o la manija en la parte superior de la bomba para izarla o bajarla. Desconecte la corriente eléctrica a la bomba antes de realizar trabajos en la misma o de tratar de sacarla del foso.
3. Si la bomba se levanta o se sostiene por el cordón eléctrico, se invalidará la garantía.

Generalidades

⚠️ ADVERTENCIA **Tensión peligrosa y riesgo de daños al cordón.** Puede causar choques, quemaduras o muerte. Antes de sacar la bomba de la esclusa para mantenimiento o reparaciones, siempre desconecte la corriente eléctrica a la bomba y al conmutador de control. No levante la bomba por medio del cordón eléctrico. Consulte la *Advertencia sobre la sujeción por medio del cordón* que aparece a continuación.

Después de sacar la cubierta de la esclusa y la tubería de descarga necesaria, levante y saque la bomba fuera de la esclusa.

Coloque la bomba en una zona en donde se pueda limpiar bien. Saque toda oxidación y depósitos que se hayan acumulado en la bomba.

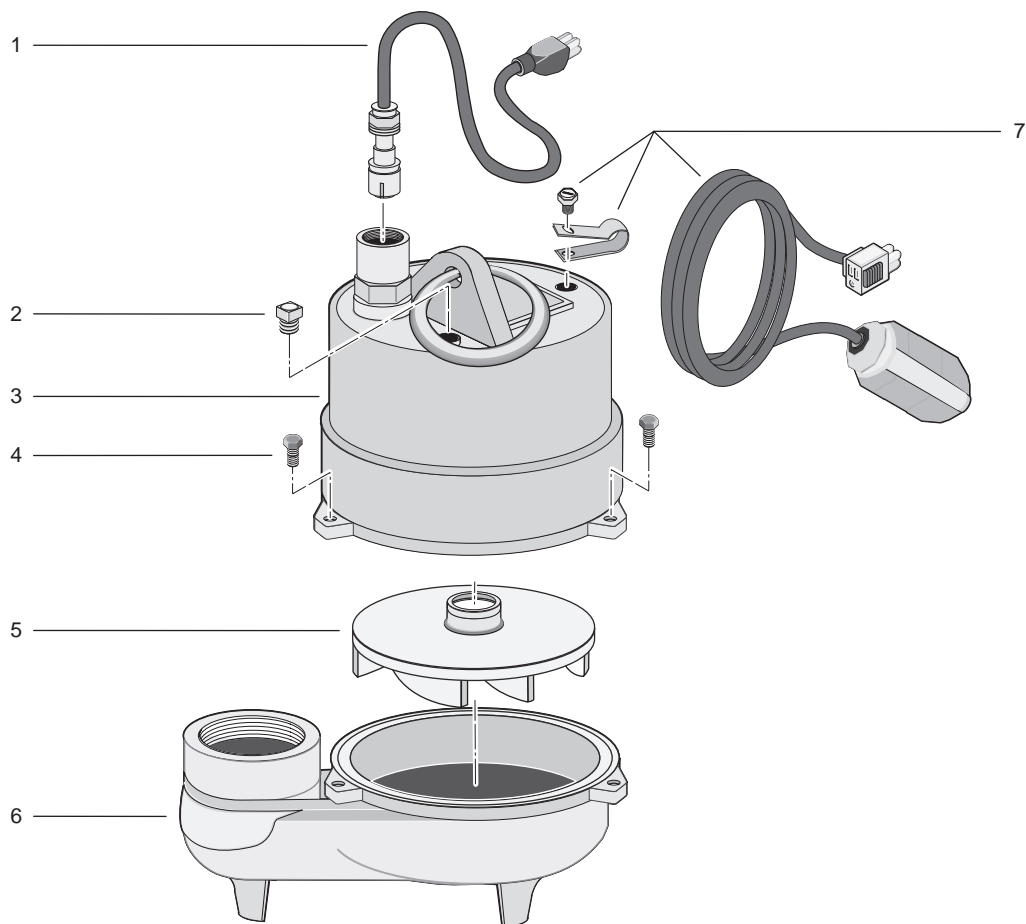
Sumerja toda la bomba en una solución desinfectante (lejía con cloro) por lo menos durante una hora antes de desarmar la bomba.

La caja del motor de la bomba contiene un aceite especial de lubricación que se debe mantener limpio y sin agua en todo momento.

Cambio del impulsor

Consulte el dibujo de desensamblaje correcto en la *Piezas de repuesto*.

1. Saque los tres tornillos prisioneros que sostienen la caja inferior del motor a la voluta; levante y saque la caja inferior del motor. No retire los tres tornillos que sujetan la cubierta del motor.
2. Destornille el impulsor haciéndolo girar en la dirección opuesta a las agujas del reloj. Saque el impulsor y reemplazarlo..
3. Vuelva a armar el impulsor y la bomba (invierta las instrucciones del 1 y 2).



Ref.	Descripción de la pieza	Cant.	No. de pieza
1	Cordón de corriente	1	PW117-122-TSE
2	Enchufe de 1/4" NPT	1	*
3	Caja / motor	1	**
4	Tornillo prisionero #10 – 32 x 3/4"	6	*
5	Impulsor	1	PW5-5P
6	Voluta	1	PW1-4
7	Conmutador automático de flotación	1	PS217-64

* Sujetador comunes disponibles en la tienda local de hardware

** Si el motor no reemplazar la bomba de toda

ADVERTENCIA **Arranques repentinos.** Si la corriente a la bomba está activada cuando se reposicione la sobrecarga térmica, es posible que la bomba arranque sin advertencia alguna. Si está trabajando en la bomba, existe el peligro de choques eléctricos o de que el impulsor atrape sus dedos o sus herramientas. Desconecte la corriente antes de realizar reparaciones en la bomba.

La bomba no funciona:	1. Verifique que el cordón de corriente esté bien enchufado en la toma de corriente o cableado firmemente en el controlador o la caja de conmutación. Desconecte la corriente hacia la toma de corriente antes de manipular la bomba o el motor.
	2. Verifique que haya corriente eléctrica.
	3. Verifique el nivel del fluido líquido sea suficiente para activar el conmutador o el controlador.
	4. Verifique que haya un orificio de ventilación de 3/16" (5mm) en la tubería de descarga y que no esté tapado.
	5. Verifique que no hayan bloqueos en la admisión de la bomba, en el impulsor, en la válvula de retención o en la tubería de descarga.
	6. Desconecte la bomba de la fuente de energía por lo menos durante 30 minutos para permitir que el motor se enfríe, y para protegerse contra arranques repentinos. Consulte la Advertencia que aparece arriba. La bomba está marchando en seco debido a que el conmutador de flotación se atascó con algo. Verifique la causa del recalentamiento - la tubería de admisión o la tubería de salida está tapada.
La bomba no logra vaciar el sumidero:	1. Asegúrese de que todas las válvulas en la tubería de descarga estén totalmente abiertas.
	2. Limpie la tubería de descarga y la válvula de retención
	3. Verifique que no hayan bloqueos en la admisión de la bomba o en el impulsor.
	4. El tamaño de la bomba no es adecuado. Es posible que se requiera una bomba de mayor capacidad.
La bomba no se apaga:	1. Verifique que los flotadores automáticos del conmutador o del controlador estén funcionando y se encuentren ubicados correctamente. Consulte las instrucciones de la instalación del conmutador/controlador.
	2. Si la bomba no funciona de ninguna manera o continúa funcionando mal, consulte a su técnico de reparaciones local.

