



ProVac® II High Performance Pool Vacuum



User's Guide

**IMPORTANT SAFETY INSTRUCTIONS
READ AND FOLLOW ALL INSTRUCTIONS
SAVE THESE INSTRUCTIONS**

WARNINGS AND IMPORTANT SAFETY PRECAUTIONS



WARNING

SERIOUS BODILY INJURY OR DEATH CAN RESULT IF THIS PRODUCT IS NOT INSTALLED AND USED CORRECTLY. INSTALLERS, POOL OPERATORS AND POOL OWNERS MUST READ THESE WARNINGS AND ALL INSTRUCTIONS BEFORE USING THIS PRODUCT.



IMPORTANT NOTICE - Attention Installer: This Installation and User's Guide ("Guide") contains important information about the installation, operation and safe use of this product. This Guide should be given to the owner and/or operator of this equipment.



WARNING

Before installing this product, read and follow all warning notices and instructions in this Guide. Failure to follow warnings and instructions can result in severe injury, death, or property damage. Call (800) 831-7133 for additional free copies of these instructions. Please refer to www.pentair.com for more information related to these products.



WARNING

Most states and local codes regulate the construction, installation, and operation of public pools and spas, and the construction of residential pools and spas. It is important to comply with these codes, many of which directly regulate the installation and use of this product. Consult your local building and health codes for more information.



WARNING



Water temperature in excess of 100° F (37.7° C) may be hazardous to your health. Prolonged immersion in hot water may induce hyperthermia. Hyperthermia occurs when the internal temperature of the body reaches a level several degrees above normal body temperature of 98.6° F (37° C.). Effects of hyperthermia include: (1) Unawareness of impending danger. (2) Failure to perceive heat. (3) Failure to recognize the need to leave the spa. (4) Physical inability to exit the spa. (5) Fetal damage in pregnant women. (6) Unconsciousness resulting in danger of drowning. The use of alcohol, drugs, or medication can greatly increase the risk of fatal hyperthermia in hot tubs and spas.



WARNING

To reduce the risk of injury, do not permit children to use or operate this product.

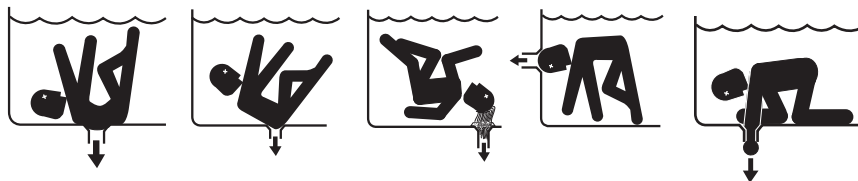
Two Speed Pump Controls Notice (Title 20 Compliance)

Please read the following important Safety Instructions. When using two-speed pumps manufactured on or after January 1, 2008, the pump's default circulation speed **MUST** be set to the **LOWEST SPEED**, with a high speed override capability being for a temporary period not to exceed one normal cycle, or two hours, whichever is less.

WARNINGS AND IMPORTANT SAFETY PRECAUTIONS



SUCTION ENTRAPMENT HAZARD



Pool and spa pumps move large volumes of water, which can pose extreme danger if a person's hair comes in close proximity to a drain that is not the proper size for the pump or pumps.

Hair Entanglement – When the hair tangles or knots in the drain cover, trapping the swimmer underwater. This hazard is present when the flow rating of the cover is too small for the pump or pumps.

Limb Entrapment – When a limb is sucked or inserted into an opening resulting in a mechanical bind or swelling. This hazard is present when a drain cover is missing, broken, loose, cracked or not properly secured.

Body Entrapment – When a portion of the body is held against the drain cover trapping the swimmer underwater. This hazard is present when the drain cover is missing, broken or the cover flow rating is not high enough for the pump or pumps.

Evisceration/Disembowelment – When a person sits on an open pool (particularly a child wading pool) or spa outlet and suction is applied directly to the intestines, causing severe intestinal damage. This hazard is present when the drain cover is missing, loose, cracked, or not properly secured.

Mechanical Entrapment – When jewelry, swimsuit, hair decorations, finger, toe or knuckle is caught in an opening of an outlet or drain cover. This hazard is present when the drain cover is missing, broken, loose, cracked, or not properly secured.

For information about the Virginia Graeme Baker Pool and Spa Safety Act, contact the Consumer Product Safety Commission at (301) 504-7908 or visit www.cpsc.gov.

NOTE: Always turn off all power to the pool pump before installing the cover or working on any suction outlet.

Technical Support

Sanford, North Carolina (8 A.M. to 5 P.M. ET)

Moorpark, California (8 A.M. to 5 P.M. PT)

Phone: (800) 831-7133

Fax (800) 284-4151

visit www.pentairpool.com and staritepool.com

Contents	
Warnings and Important Safety Precautions	i-ii
ProVac II Assembly	1
Preparing your pool	2
Connecting a vacuum hose to the ProVac II	2
Using your ProVac II	2
Dual mode handle	2
ProVac II Parts	3
Step 1: Initial Assembly	4
Step 2: Dual Function Wheel Assembly	6

Thank you for purchasing the ProVac® II High Performance Pool Vacuum from Pentair Water Pool and Spa®

ProVac II Dual Function Wheels

Your ProVac II high performance pool vacuum features the unique ability to function with 360° pivoting/swiveling wheels or the wheels can be locked in place only to roll in a straight line. Depending on the shape of the pool or your personal preference, you can choose to assemble the wheels onto the ProVac II vacuum body to pivot/swivel or roll only in a straight line. For information about the “Dual Function Wheels,” see page 6.

ProVac II Assembly

Please follow the easy to assemble steps on pages 3 - 6:

- **ProVac II Parts (page 3)**
- **Step 1: Initial Assembly (page 4)**
- **Step 2: Dual Function Wheel Assembly (page 6)**

After you have assembled your ProVac II, see page 2 for information about using your vacuum.

Preparing your pool

Before you use your ProVac II pool vacuum, be sure to make the following preparations before proceeding:

- Chemically balance the pool water
- Brush the pool and let the debris settle
- Clean the filter and pump strainer basket

Connecting a vacuum hose to the ProVac II

Before connecting a pool vacuum hose to the ProVac II, connect the one end of the hose end of the vacuum hose to an appropriate suction port of the pool system. The vacuum hose should be at least three (3) feet to five (5) feet longer than the furthest point of the pool from the point of connection.

Hose connection: To connect a pool vacuum hose onto the ProVac II, push a two (2) inch pool vacuum hose directly onto the vacuum port on the ProVac II body.

Hose removal: To remove the hose, firmly pull the hose connector away from the ProVac II body.

Note: *Included with your ProVac II is a 1-1/2-inch vacuum hose swivel connector which helps to prevent hose twists and tangles while using your vacuum.*

Using your ProVac II

Connect the ProVac II to the end of a pool utility pole by inserting the handle into the pole and clicking the spring clip into the holes on the pole.

By moving the ProVac II slowly over the pool bottom, any debris will be guided into the suction chamber of the vacuum. With a little practice, you will soon discover the proper speed to maneuver the vacuum to clean with maximum efficiency and effectiveness.

Note: *DO NOT transport or carry the ProVac II while it is still connected to the end of the pole. Always separate the ProVac II from the pole for carrying or transport.*

Dual mode handle

The chrome handle of the ProVac II can be used in two modes:

'Swivel' mode: Allows the vacuum to be turned by twisting the pool pole.

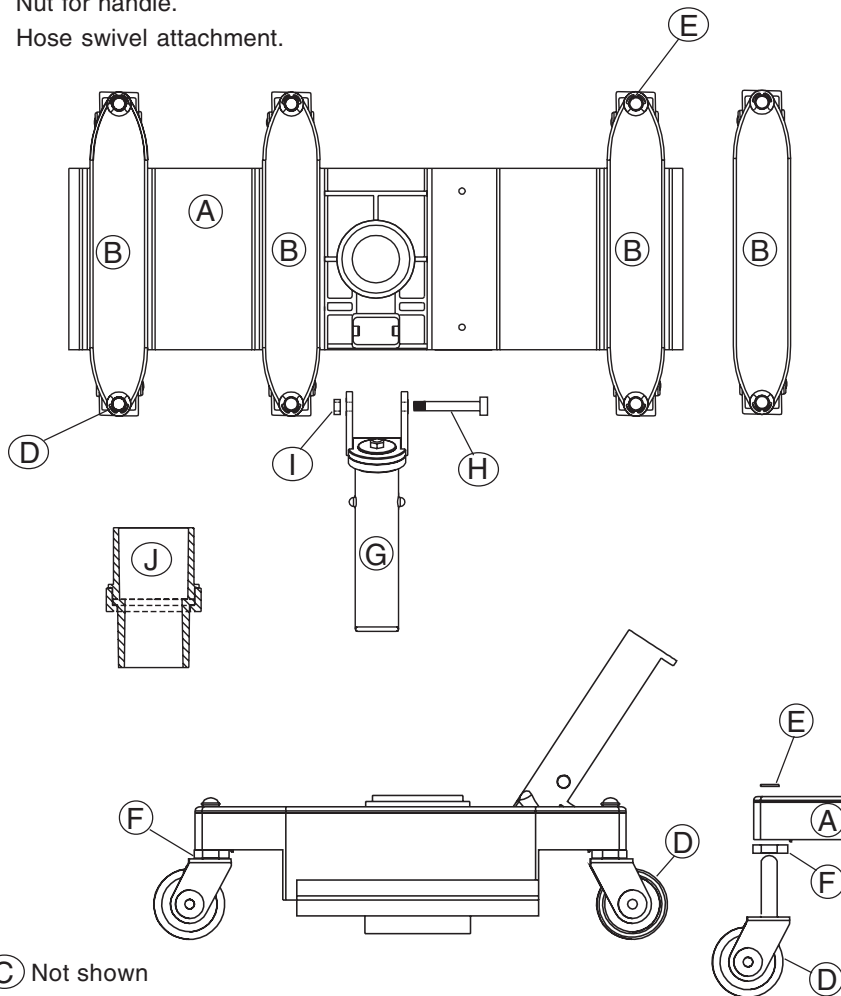
'Locked' mode: Locks the handle in place so that it cannot swivel.

To unlock the handle for 'Swivel' mode: Remove the small screw from the bottom of the handle near the swivel.

To lock the handle for 'Locked' mode: Do not remove the screw from the bottom of the handle. The screw prevents handle from swiveling. Keep the screw tightened.

ProVac II Parts

- A - Vacuum body.
- B - Composite-weighted body blocks (QTY. 4).
- C - Stainless steel phillips head screws. QTY. 8 total; six (6) are pre-installed and two (2) are used to install the single remaining unassembled weighted body block onto the vacuum).
- D - Wheels, with wheel swivel brackets (QTY. 8).
- E - Metal "C" clips (QTY. 8), pre-assembled onto the wheel swivel brackets.
- F - Polymer swivel washers (QTY. 8), pre-assembled onto the wheel swivel brackets.
- G - Chrome handle, with spring clip.
- H - Bolt for handle.
- I - Nut for handle.
- J - Hose swivel attachment.



Note: (C) Not shown

Step 1: Initial Assembly

1. Remove the chrome handle (G) and hose swivel attachment from the vacuum body (A). Separate the hose swivel attachment (J) from the handle. See Figure 1.

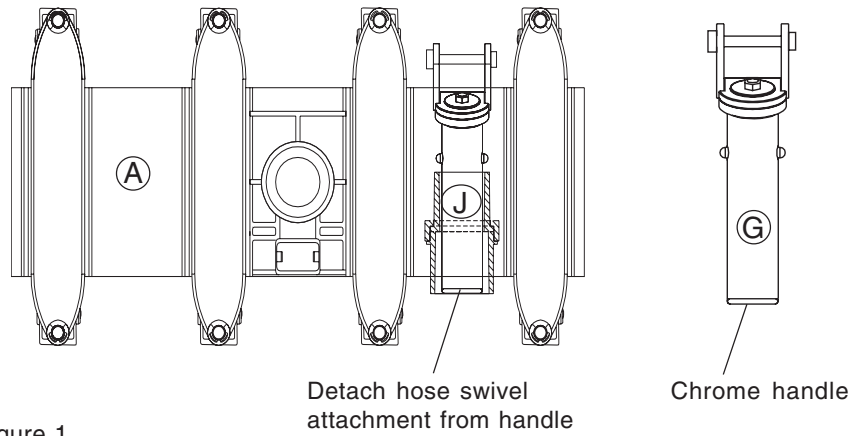


Figure 1.

2. Attach the chrome handle (G) onto the vacuum body (A) by inserting the bolt (H) through the chrome handle and through the hole in the vacuum body. Tighten the nut (I) onto the bolt to secure the handle. See Figure 2.

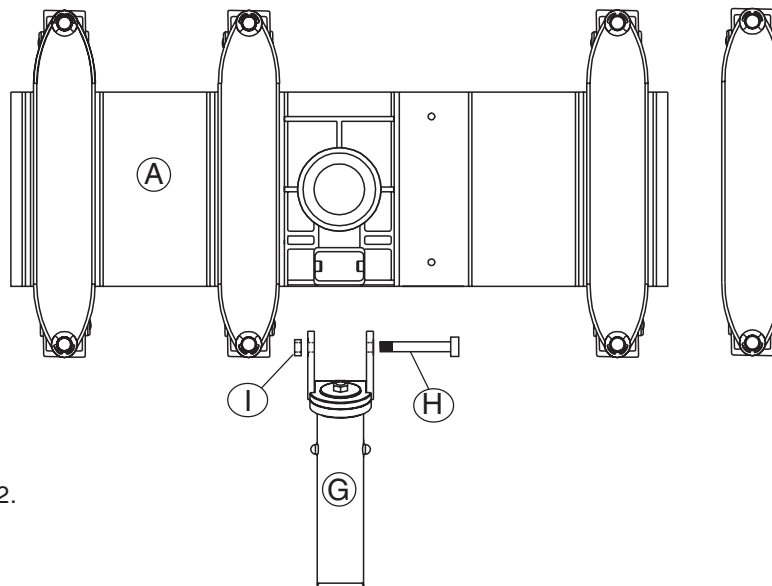


Figure 2.

5

3. Install the weighted body block (B) onto the vacuum body (A) by using a screwdriver to tighten the two Phillips head stainless steel screws from the bottom. See Figure 3.

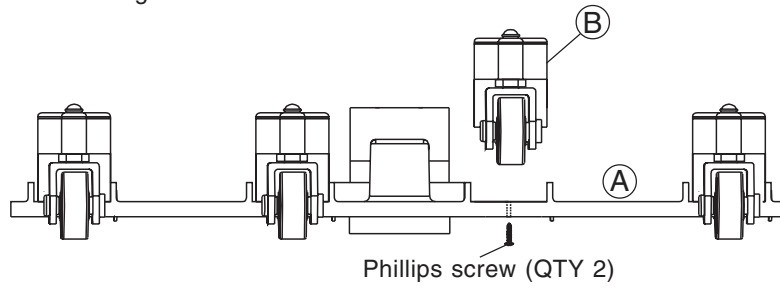
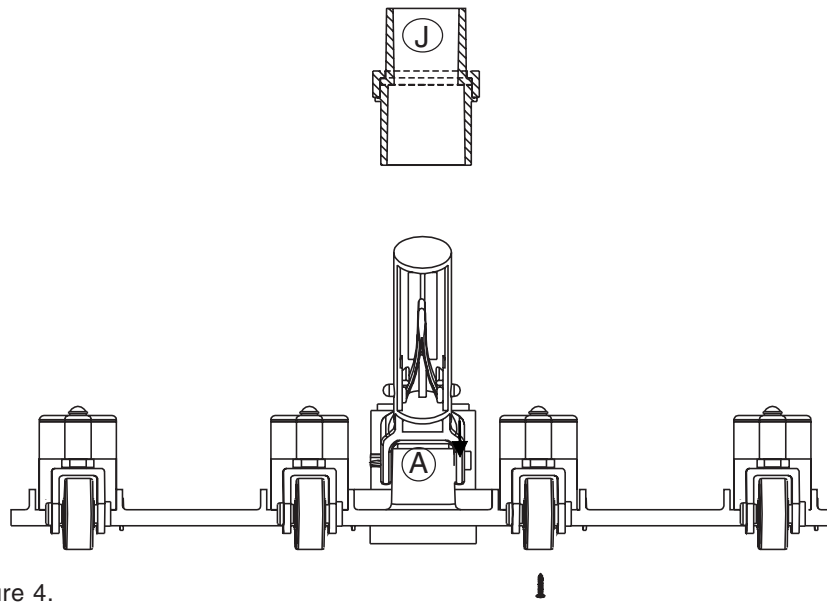


Figure 3.

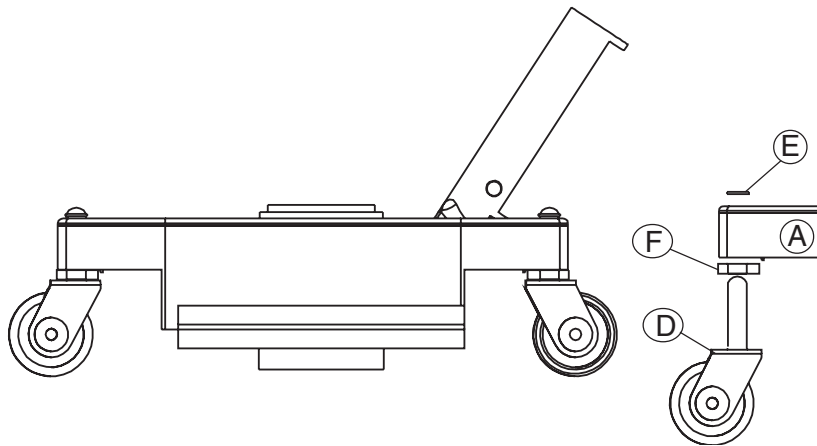
4. Push the hose swivel attachment (J) down onto the vacuum body (A) firmly. See Figure 4.



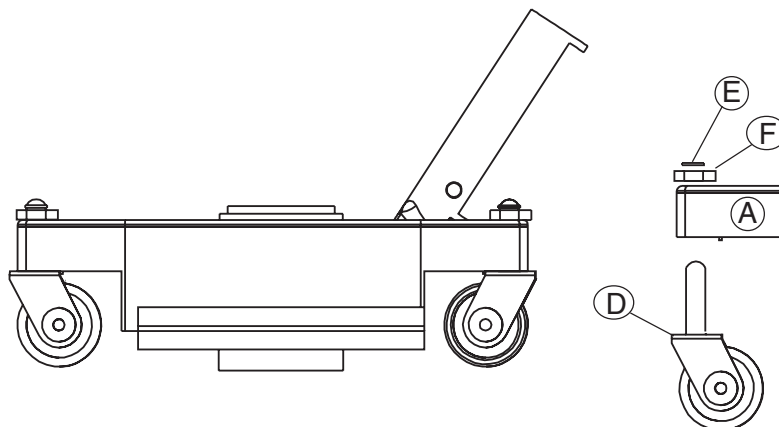
5. **Proceed with “Step 2: Dual Function Wheel assembly” on page 6.**

Step 2: Dual Function Wheel Assembly**To assemble the wheels with 360° swivel/pivot function:**

Assemble for swivel function as shown in Figure 5. “C” clip (E) is on top of the vacuum body. The polymer swivel washer (F) is sandwiched in between the wheel swivel bracket (D) and the vacuum body (A).

**To assemble the wheels for locked/straight-rolling function:**

Assemble for locked/straight-rolling function as shown in Figure 6. “C” clip (E) and the polymer swivel washer (F) is locked on top of the vacuum body. The wheel swivel bracket (D) is locked against the rectangular protrusion on the bottom surface the vacuum body (A).





© 2009 Pentair Water Pool and Spa, Inc. All rights reserved.

1620 Hawkins Ave., Sanford, NC 27330 • (919) 566-8000
10951 West Los Angeles Ave., Moorpark, CA 93021 • (800) 553-5000

ProVac® and Pentair Water Pool and Spa® are registered trademarks of Pentair Water Pool and Spa, Inc. and/or its affiliated companies in the United States and/or other countries. Unless noted, names and brands of others that may be used in this document are not used to indicate an affiliation or endorsement between the proprietors of these names and brands and Pentair Water Pool and Spa, Inc. Those names and brands may be the trademarks or registered trademarks of those parties or others.



P/N 210242 - Rev A - 11/13/2009