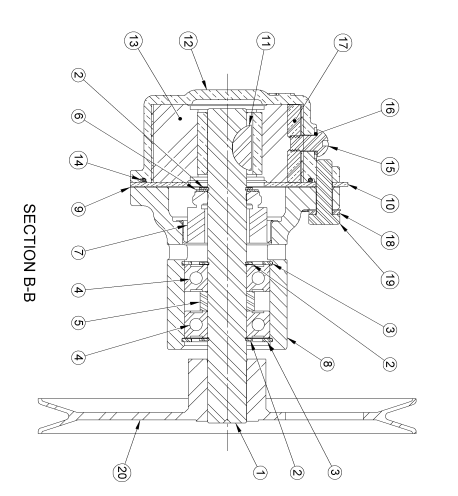
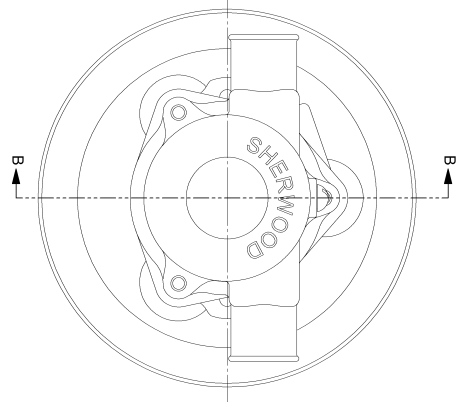
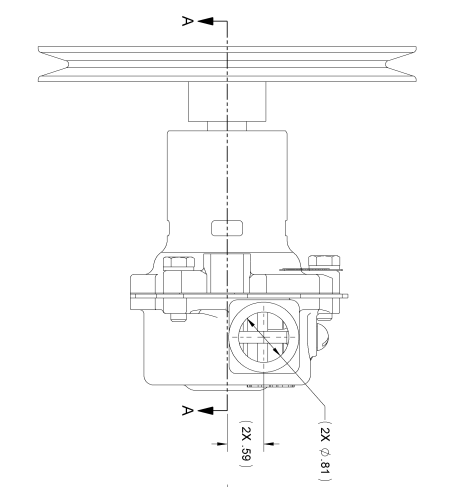
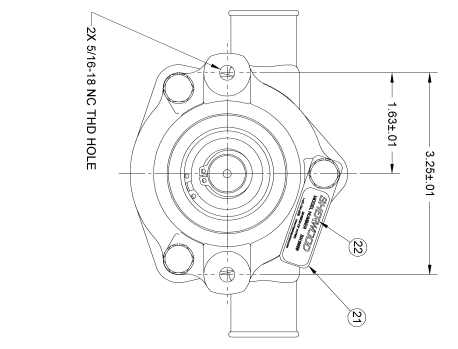
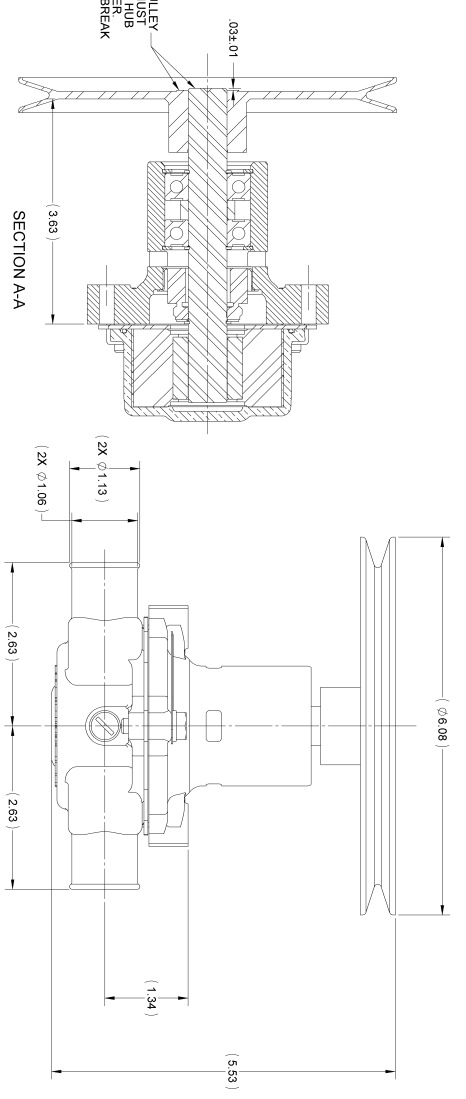


ITEM NO.	PART NUMBER	DESCRIPTION	QTY.
1	03363	SHAFT	1
2	04259	EXT. RETAINING RING	3
3	04259	INT. RETAINING RING	2
4	12211	BALL BEARING	2
5	05133	ELAS. SPACER	1
6	05133	ELAS. SPACER	1
7	12314	TYPE 6A SEAL/SEAT ASSY	1
8	12328	BODY - MACHINED	1
9	12855	GASKET	1
10	12856	WASHER	1
11	04259	EXT. RETAINING RING	1
12	12303	HOUSING	1
13	09959	RUBBER IMPELLER	1
14	12231	OR-RING	1
15	12231	OR-RING	1
16	19996	CAM WASHER	1
17	15883	CAM	1
18	12710	LOCKWASHER	3
19	12857	LOCKWASHER	3
20	12857	LOCKWASHER	1
21	13265	PULLEY BELT TAG	1
22	23083	LABEL	1

ASSEMBLY NOTES:

1. APPLY BEAD OF PERMATEX AROUND THE MATED HOLE IN CAM, ITEM 17.
2. USE WATER ONLY WHEN INSTALLING TYPE 6A SEAL/SEAT ASSY, ITEM 7.
3. USE COOLANT TO AID IN INSTALLATION OF RUBBER IMPELLER, ITEM 13.
4. TORQUE 1/4-20 HKCS TO 5 - 8 FT.LBS.
5. PRESSURE TEST PUMP AT 20 - 30 PSI.
6. PRINT ON LABEL, ITEM 22

TO PROVIDE MAXIMUM SHAFT TO PULLEY BREAKAWAY TORQUE THE SHAFT MUST BE HELD SQUARE WITH THE PULLEY HUB WHEN THEY ARE PRESSED TOGETHER. SHERMING OF METAL WILL REDUCE BREAK AWAY TORQUE.



SHERWOOD
A Division of
20770 Hwy 100, Santa Fe, NM 87501, USA
TEL: 505.825.1234 FAX: 505.825.1235
WWW.SHERWOODPUMP.COM

SHERWOOD
DESIGNED BY: RBN DATE: 11/12/1980
DRAWING BASED ON: 14.00A.004 3D CAD FILE
SCALE: 1:1
SHEET NUMBER: 1 OF 1
DATE: 11/12/1980
REVISIONS:
REV. 1: 11/12/1980
REV. 2: 11/12/1980
REV. 3: 11/12/1980
REV. 4: 11/12/1980
REV. 5: 11/12/1980
REV. 6: 11/12/1980
REV. 7: 11/12/1980
REV. 8: 11/12/1980
REV. 9: 11/12/1980
REV. 10: 11/12/1980
REV. 11: 11/12/1980
REV. 12: 11/12/1980
REV. 13: 11/12/1980
REV. 14: 11/12/1980
REV. 15: 11/12/1980
REV. 16: 11/12/1980
REV. 17: 11/12/1980
REV. 18: 11/12/1980
REV. 19: 11/12/1980
REV. 20: 11/12/1980
REV. 21: 11/12/1980
REV. 22: 11/12/1980

IMPPELLER PUMP ASSY
G21
P