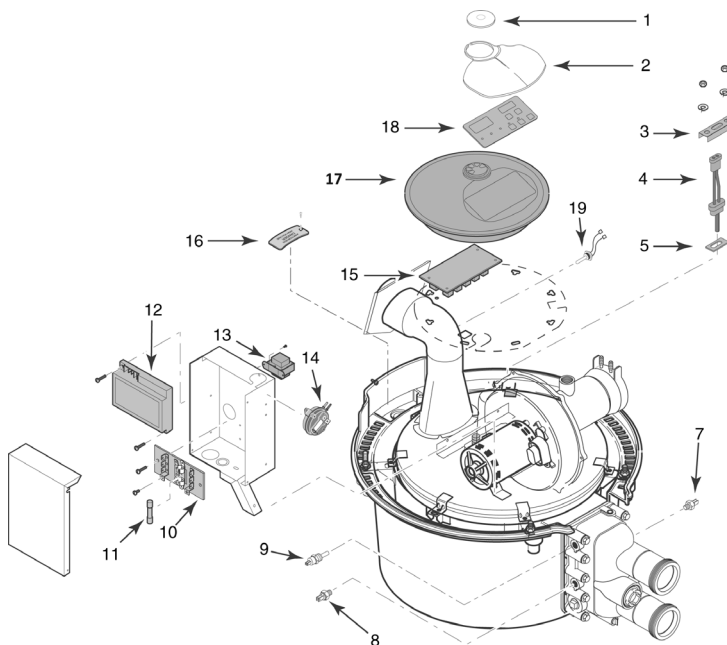


MAX-E-THERM® HEATER

ELECTRICAL SYSTEM REPLACEMENT PARTS



Item	Part No.	Description	Qty.
MAX-E-THERM ELECTRICAL SYSTEM			
1	77707-0009	Display Cover Retainer Cap Kit, Cap and CPSC Warning Label	1
2	42001-0008S	Heater Display Cover	1
3	42001-0030S	Igniter Bracket	1
4	77707-0054	Igniter/Igniter Gasket Kit [Incl. Key Nos. 4 and 5]	1
5	42001-0066S	Igniter Gasket	1
7	42002-0025S	Automatic Gas Shutoff Switch (AGS)	1
8	42001-0063S	High Limit Switch	1
9	42001-0053S	Thermistor	1
10	42001-0056S	Terminal Board	1
11	32850-0099	Fireman's Switch Fuse (1.25A, 1-1/4 in.)	1
12	42001-0052S	Ignition Control Module	1
13	42001-0107S	Transformer, 115/230V	1
13	42001-0057S	Transformer 120/240V, Single Adapter Only*	1
14	42001-0061S	Air Flow Switch	1

Item	Part No.	Description	Qty.
15	42002-0007S	Control Board Kit (NA, LP Series)	1
16	77707-0022	Junction Box Cover Kit	1
17	77707-0013	Enclosure for Control Board [Incl. #17, 18]	1
18	472610Z	Switch Membrane Replacement	1
19	42002-0024S	Stack Flue Sensor	1
19b	42002-0009	Stack Flue Switch	1
NOT SHOWN			
	42001-0104S	Heater Wiring Harness - 115/230V	1
	42001-0105S	120/240 Volt Plug Kit	1
	42002-0009	Temp Probe	1
	42001-0057S	Transformer 120/240 (Dual and Single Adapter)	1
	42001-0247	Blower Adapter Dual/Single Volt	1

* For single voltage wire harness heaters prior to 2004.