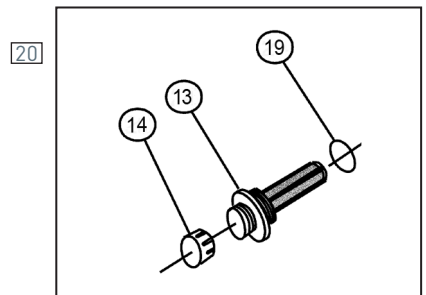
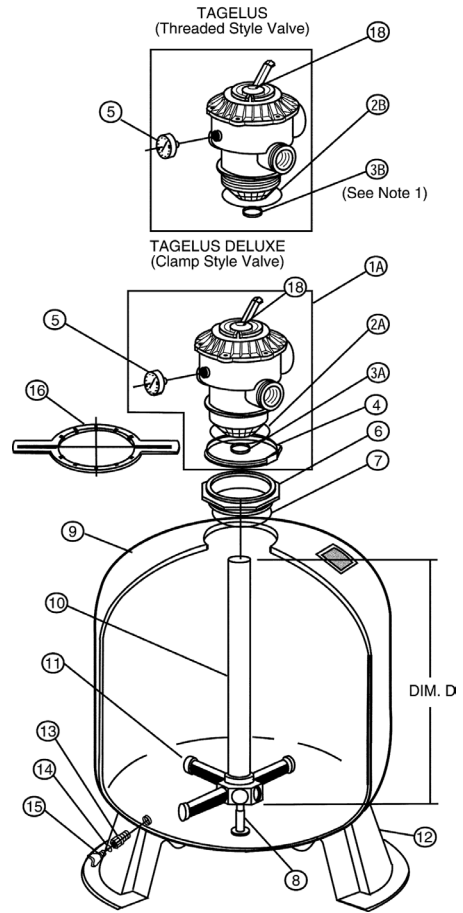


TAGELUS® FILTERS

REPLACEMENT PARTS FOR FIBERGLASS FILTERS

| Item | Part No. | Description |
|---|----------|---|
| TAGELUS FILTERS WITH THD. & CLAMP VALVES | | |
| 1A | 262506 | Valve, 1-1/2 in. 6-way clamp style ^{1, 4, 6, 8, 10} |
| 1A | 261185 | Valve, 2 in. 6-way clamp style ^{11A, 11B} |
| 1A | 262525 | Valve, 2 in. for TA60 with unions |
| 1B | 261124 | Valve, 1-1/2 in. 6-way "V" thread -TA, ¹⁷ |
| 2A | 272541 | O-ring valve body, 3/16 in. x 4-3/4 in. i.d. ^{2, 4, 6, 8, 10} |
| 2A | 275333 | O-ring valve body, 3/16 in. x 6-1/2 in. i.d. ^{11A, 11B} |
| 2B | 154493 | O-ring valve body, .157 in. x 5.75 in. i.d. ^{1, 3, 5, 7, 9} |
| 3A | 355330 | O-ring standup, 1/8 in. x 2-3/8 in. i.d. ^{11A, 11B} |
| 3B | 155064 | O-ring standup, 1/8 in. x 1-7/8 in. i.d. ^{1, 3, 5, 7, 9, 12} |
| 4 | 152165 | Clamp, 6-1/2 in. dia. SS, plastic ^{2, 4, 6, 8, 10} |
| 4 | 152130 | Clamp, 8.35 in. dia. ^{11A, 11B} |
| 5 | 190059 | Gauge back mount pressure |
| 6 | 154555 | Adapter, 6 in. btr. thread. ^{2, 4, 6, 8, 10, 15, 18} |
| 6 | 155225 | Adapter, 6 in. "V" thread ^{2, 6, 8, 10, 15, 19} |
| 6 | 154521 | Adapter, 8-1/2 in. btr. thread ^{11A, 11B} |
| 7 | 154494 | O-ring valve adptr., 1/8 in. x 6-1/4 in. i.d. ^{2, 4, 6, 8, 10} |
| 7 | 355619 | O-ring valve adptr., 3/16 in. x 7-3/4 in. i.d. ^{11A, 11B} |
| 8 | 155002 | Stabilizer, center pipe |
| 9 | 155276 | Tank & ft. assembly w/ valve adptr. ^{6, 13, 18, 19} |
| 9 | 155279 | Tank & ft. assembly w/ valve adptr. ^{8, 13, 18, 19} |
| 9 | 155269 | Tank & ft. assembly w/ valve adptr. ^{10, 13, 18, 19} |
| 9 | 155324 | Tank & ft. assembly w/ valve adptr. ^{11A, 11B, 13, 18, 19} |
| 9 | 155342 | Tank & ft. assembly btr. thread style ^{5, 16, 17} |
| 9 | 155343 | Tank & ft. assembly btr. thread style ^{7, 16, 17} |
| 9 | 155358 | Tank & ft. assembly btr. thread style ^{9, 16, 17} |
| 10 | 155060 | Piping assembly, (dim. D = 12-7/8 in.) ^{1, 2} |
| 10 | 153455 | Piping assembly, (dim. D = 14-7/8 in.) ^{3, 4} |
| 10 | 155061 | Piping assembly, (dim. D = 17-3/4 in.) ^{5, 6} |
| 10 | 155062 | Piping assembly, (dim. D = 19-7/8 in.) ^{7, 8} |
| 10 | 155063 | Piping assembly, (dim. D = 22-5/8 in.) ^{9, 10} |
| 10 | 155340 | Piping assembly, less hub, (dim. D = 27-1/4 in.) ^{11A, 11B} |
| 10 | 155323 | Piping assembly, w/ hub, (dim. D = 27-1/4 in.) ^{11A, 11B} |
| 10 | 155299 | Piping assembly, w/ hub, w/ 1/4 turn lateral ^{10, 20} |
| 10 | 152237 | Piping assembly, w/ hub, TA60 2 in. |



Detail A., after 12/1/91
6 in. btr. Thread.



Detail B., before 12/1/91
6 in. "V" Thread.

TAGELUS® FILTERS (CONT'D)

REPLACEMENT PARTS FOR FIBERGLASS FILTERS

| Item | Part No. | Description |
|---|----------|--|
| TAGELUS FILTERS WITH THREAD & CLAMP VALVES | | |
| 11 | 155007 | Lateral, 5-11/32 in. long, 8 req. ^{1, 2, 3, 4} |
| 11 | 152290 | Lateral, 6-11/16 in. long, 8 req. ^{5, 7, 9, 6, 8, 10} |
| 11 | 152202 | Lateral, 9-1/8 in. long ^{11A, 11B} |
| 11 | 150085 | Lateral, 1/4 turn, 6 req. ^{10 20} |
| 11 | 150088 | Lateral, ClearPro - 6 req |
| 12 | 154926 | Foot tank ^{3, 5, 7, 9, 4, 6, 8, 10} |
| 12 | 154596 | Foot tank ^{11A, 14} |
| 13 | 154698 | Spigot, 3/4 in. NPT sand drain ^{2, 4, 6, 8, 10} |
| 13 | 152220Z | Spigot, 2 in. NPT sand drain ^{11A} (Left-hand thread) |
| 14 | 192115 | O-ring drain plug, 1/16 in. x 1/2 in. i.d. |
| 14 | 154871 | 2 in. drain cap (1-1/2 in. threads) ^{11A, 11B} |
| 15 | 357161 | Plug, 1/4 in. NPT drain |
| 16 | 154512 | Wrench, 6-1/2 in. across flats ^{2, 6, 8, 10} |
| 16 | 151608 | Wrench, 9 in. across flats ¹⁴ |
| 18 | 272599 | Label top mount valve |
| 19 | 274494 | Sand drain O-ring TA100 |
| 20 | 152220Z | Drain assy for TA100/TR100/TR140 |
| NOT SHOWN | | |
| | 154402 | Tape ft. mounting, ¹⁻¹⁰ |
| | 154407 | Tape ft. mounting, ^{11A, 11B} |
| | 155051 | Sand guide only ^{11A, 11B} |
| | 150119 | Union Kit 1-1/2 in. Valve |
| | 272569 | Union Kit 2 in. Valve for TA 60D 2" only |

¹ TA 30

² TA 30D

³ TA 35

⁴ TA 35D

⁵ TA 40

⁶ TA 40D

⁷ TA 50

⁸ TA 50D

⁹ TA 60

¹⁰ TA 60D

^{11A}TA 100

^{11B}TA 100D

¹² Item 3A O-ring, standpipe is used on model TA100D Filters only. Item 3B O-ring, standpipe is used on Tagelus Filter models TA30, 40, 50, 60, manufactured before April, 1993. Item 3B is not used on Tagelus Clamp Filter models TA30D, 35D, 40D, 50D, 60D or on any Tagelus models manufactured after April, 1993.

¹³ Tagelus Clamp Filter models tank & ft. assembly have valve adptr., Item 6 factory installed.

¹⁴ Replacement of tank ft. requires the use of mounting tape. See part number listed.

¹⁵ Lubricate O-ring liberally w/ silicone lubricant and tighten to following spec: TA30D, 35D, 40D, 50D, 60D. Handtight plus 1/4 turn min. TA100 D Handtight plus 3/4 turn min.

¹⁶ Tagelus Filter models TA30, 35, 40, 50, 60 manufactured after Nov. 1, 1991 were manufactured w/a btr. thread top opening and utilize a btr. style valve which is black in color. A change was made to the port arrangement in April, 1993 which will require that minor changes be made to the valve plumbing connections when replacing valves on filters manufactured between Nov. 1991 and Mar. 1993. DO NOT ATTEMPT TO INTERCHANGE THREAD TYPES.

¹⁷ Tagelus Filter models TA30, 40, 50, 60 manufactured before Nov. 1, 1991 were manufactured w/a "V" thread style valve that is white or brown in color. These valves may be replaced only w/ "V" thread style valve P/N 261124, see Detail B. DO NOT ATTEMPT TO INTERCHANGE THREAD TYPES.

¹⁸ Tagelus Clamp Filter models TA30D, 35D, 40D, 50D, 60D manufactured after Nov. 1, 1991 were manufactured w/a btr. thread top opening and utilize a btr. thread valve adptr. P/N 154555, see Detail A. DO NOT ATTEMPT TO INTERCHANGE THREAD TYPES.

¹⁹ Tagelus Clamp Filter models TA30D, 40D, 50D, 60D manufactured before Nov. 1, 1991 were manufactured w/a "V" thread top opening and utilize a "V" thread valve adptr. P/N 155225, see Detail B. DO NOT ATTEMPT TO INTERCHANGE THREAD TYPES.

²⁰ TA60D Filters manufactured after June 1, 2007 have new 1/4 turn laterals.