

PRO-SOURCE® Plus Steel Pressurized Steel EpoxyLined Tanks

Air-over-water tanks

The Pro-Source® EpoxyLined Tank is an excellent corrosion-resistant tank available in a variety of sizes for use in water systems applications, as a retention tank or holding tank. This tank utilizes an electrostatic paint process, resulting in superior rust protection.

APPLICATIONS

■ For use as a standard water tank, retention tank or holding tank.

SPECIFICATIONS

Shell – Heavy gauge steel

Skirt – Heavy gauge steel

Interior Coating – Epoxy

Fittings – Machined steel

Finish – Baked-on polyester paint



FEATURES

Quality Construction – The precision press fit head and wrapper minimize the possibility of large gaps between components. This manufacturing process reduces the possibility of corrosion and seam leaks.

Heavy Gauge Steel – Sturdy construction is emphasized, with heavier gauge steel than most tanks. This minimizes the possibility of dents from mishandling, and rust-through.

Uniform Epoxy Coating – The insides of the tanks are electrostatically powder-coated and then are oven baked to ensure proper adhesion and consistent coverage. This paint process offers superior corrosion resistance over traditional wet paints.

Appliance-like Exterior Finish – A polyester paint is also electrostatically adhered to the outer surface and then baked on for a high-gloss appearance.

Flush Mount Fittings – Designed to solve one of the toughest corrosion problems, these fittings eliminate flanges and sharp angles that make paint adherence difficult.

Standard Top Mount Fitting – Facilitates use as a retention tank, or for hard-to-fit areas. This fitting can also be used for an optional jet mount package.

Sturdy Base – Bases for horizontal models are constructed of heavy gauge steel, with slots for ventilation to avoid condensation problems.

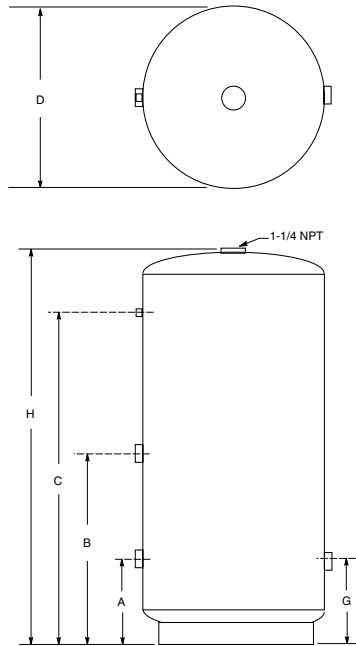
ORDERING INFORMATION

Catalog Number	Capacity U.S. Gal.	Style	Tank Diameter	Tank Height	Tank Length	Approx. Wt. Lbs.	Max. Oper. Press. (PSI)
AW30H	30	Horizontal	16"	17-1/2"	36-1/2"	55	75
AW42	42	Vertical	20"	36-5/8"	N/A	67	75
AW42T	42	Vertical	16"	53-1/2"	N/A	65	75
AW85	85	Vertical	24"	51"	N/A	94	75
AW120	120	Vertical	24"	68"	N/A	120	75

In order to provide the best products possible, specifications are subject to change.

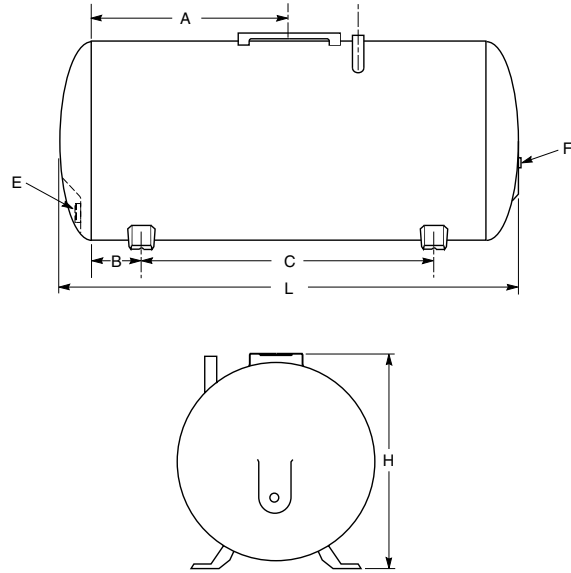
PRO-SOURCE® Plus Steel Pressurized Steel EpoxyLined Tanks

VERTICAL OUTLINE DIMENSIONS



Dimensions (in inches) are for estimating purposes only.

HORIZONTAL OUTLINE DIMENSIONS



Dimensions (in inches) are for estimating purposes only.

DIMENSIONAL DATA

Vertical EpoxyLined Tanks

Catalog Number	Gallons	Dimensions in Inches									
		D Dia.	H Ht.	A Dist.	A Size	B Dist.	B Size	C Dist.	C Size	G Dist.	G Size
AW42	42	20	36-5/8	8-1/2	1-1/4	19-1/2	1-1/4	27-3/4	1/4	8-1/2	1-1/4
AW42T	42	16	53-1/2	8	1-1/4	28	1-1/4	45	1/4	8	1-1/4
AW85	85	24	51	12	1-1/4	26-1/8	1-1/4	40-7/8	1/4	9-1/2	1-1/4
AW120	120	24	68	12	1-1/4	35	1-1/4	58-1/8	1/4	9-1/2	1-1/4

Horizontal EpoxyLined Tanks

Catalog Number	Gallons	Dimensions in Inches						Outlet Size	
		Dia.	Length	Ht.	A	B	C	E	F
AW30H	30	16	36-1/2	17-1/2	13-3/4	4-3/4	22	3/4	1/4

Horizontal tanks include pump mounting bracket as standard.

Note: All pumps installed with a Pro-Source® tank require a 75 PSI relief valve. Relief valve must be capable of relieving entire pump flow at relief pressure.

TANK PERFORMANCE

Catalog Number	Capacity U.S. Gal.	Drawdown in Gallons		
		20-40	30-50	40-60
AW30H	30	5.2	4.4	3.9
AW42	42	6.7	5.8	5.0
AW42T	42	6.9	5.9	5.2
AW85	85	14.3	12.3	10.7
AW120	120	19.9	17.1	14.9

