

### APPLICATION

The SHURFLO® Standard Flow Ballast pump was specially designed for ballast tank applications in ski and wake boats, providing rapid fill and drain rates in a readily adaptable configuration. The high-efficiency, high-torque motor, in combination with a high-modulus neoprene compound impeller, provides fast priming, long life, and consistent performance.

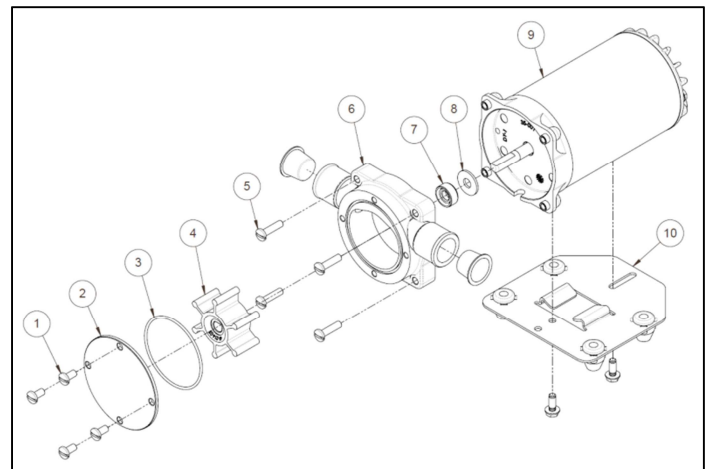


### PUMP DESIGN

Type: Reversible Flexible Impeller  
 Ports: ½" Internal Pipe Threads, 1" External Hose Barb  
 Liquid: 200°F [93°C] Max  
 Prime: 4 Feet [1.2 M]  
 Run Dry: Not Recommended

### ELECTRICAL

Motor: 12V DC Permanent Magnet, Intermittent Duty  
 Protection: Need External Fuse (not supplied)  
 Leads (Red): 14.5" [0.36M] Tinned 14 AWG  
 Leads (Black): 12.5" [0.31M] Tinned 14 AWG  
 Fuse: 25 Amp Fuse Recommended  
 Control: No Control – External Switch required



### MATERIALS OF CONSTRUCTION

Housings: Bronze  
 Impeller: Neoprene  
 Hardware: Brass

### AGENCY APPROVALS

USCG Electrical Standards 183.410  
 ISO 8846 Marine for IGNITION PROTECTION on gasoline power vessels  
 CE and IMCI certification

### SHIPPING INFORMATION

Approx. Net Weight: 5.7 Lbs. [2.6 Kg] each  
 Carton Qty.: 6  
 Approx. Carton Weight: 36.2 Lbs. [16.4 Kg]  
 Approx. Carton Size: 24" L X 18" W X 6" H [61cm x 46cm x 15cm]

### RELATED DOCUMENTS

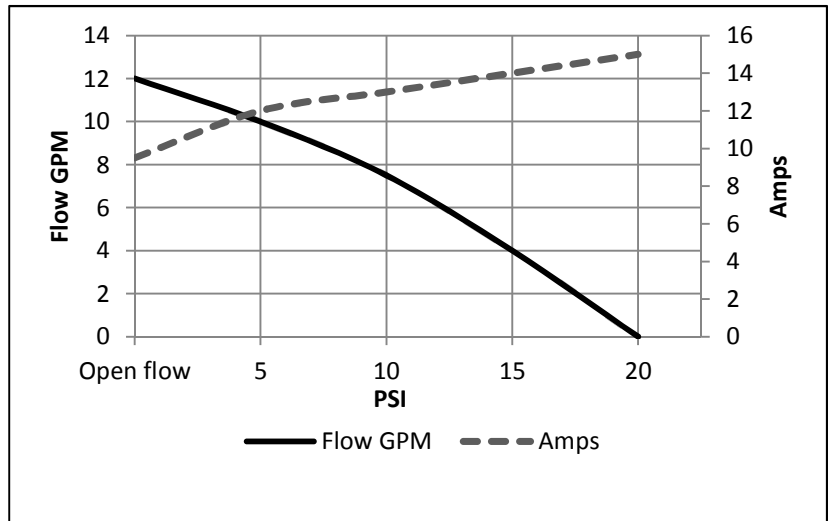
Catalog: MS-030-140  
 Application Spec Guide: MS-020-005  
 Installation Manual: 911-1059  
 Aftermarket Warranty: 911-1045

### REPAIR KITS

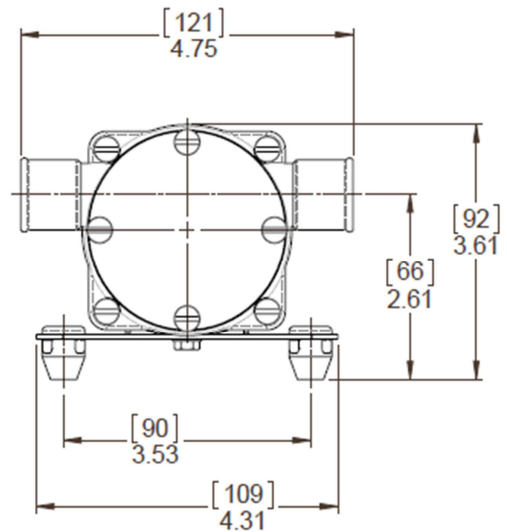
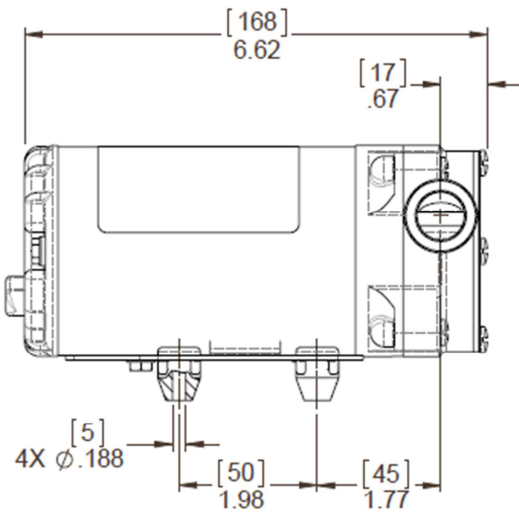
Item	Description	Part number
1,3,4,5,7,8	Service Kit	94-912-00
4	Impeller Kit	94-916-00
6	Body Kit	94-913-00
1,5	Fasteners Kit	94-914-00
9	Motor Kit	94-71-010-17

**TYPICAL PERFORMANCE**

PSI	GPM	LPM	AMPS
0	12	45.4	9.5
5	10	37.8	12
10	7.5	28.4	13
15	4	15.1	14
20	0	0	15



**DIMENSIONS**



3545 Harbor Gateway South, Suite 103, Costa Mesa, CA 92626, (800) 854-3218 www.SHURFLO.com

All Pentair trademarks and logos are owned by Pentair, Inc. All other brand or product names are trademarks or registered marks of their respective owners. Because we are continuously improving our products and services, Pentair reserves the right to change specifications without prior notice. Pentair is an equal opportunity employer.

3300-100 Rev A 2017 ©Pentair, Inc. All Rights Reserved.