



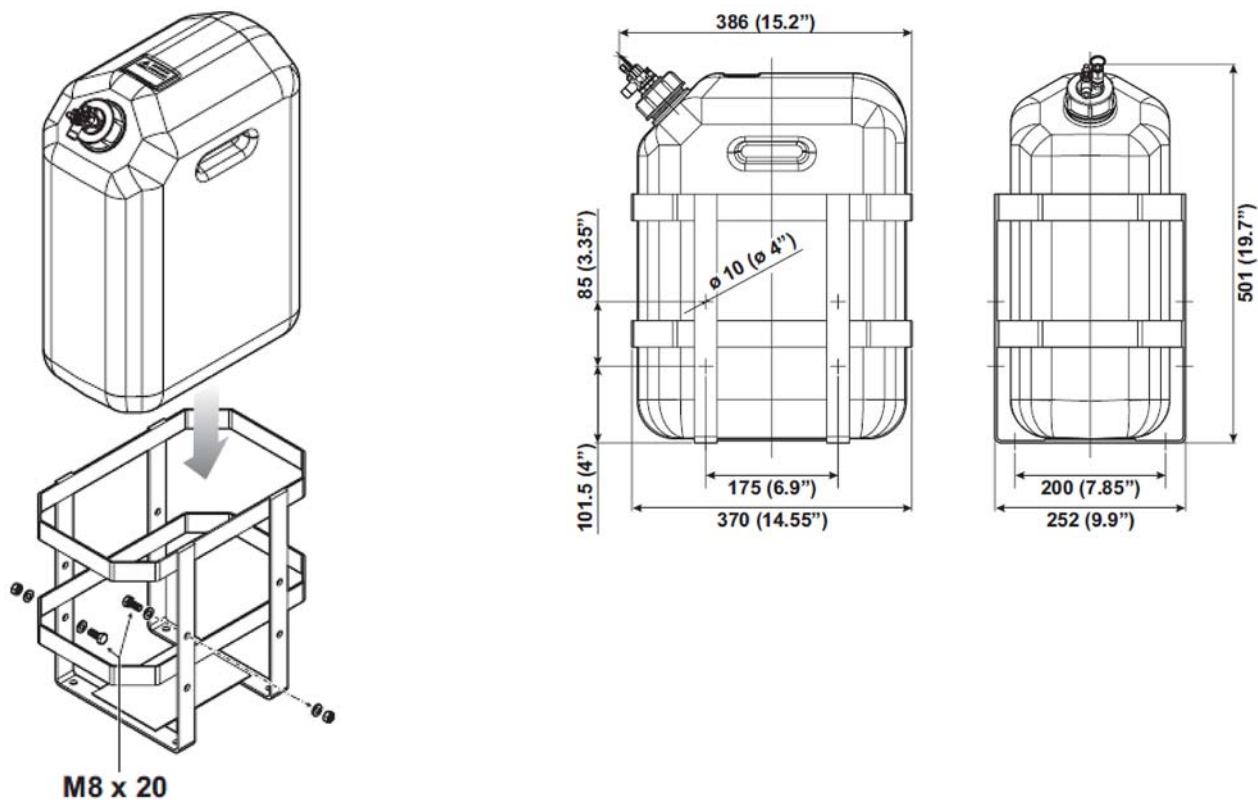
# Model 520005-TANKKIT Foam Marker Tank & Frame Kit

Form L-1520  
6/10

## Instructions

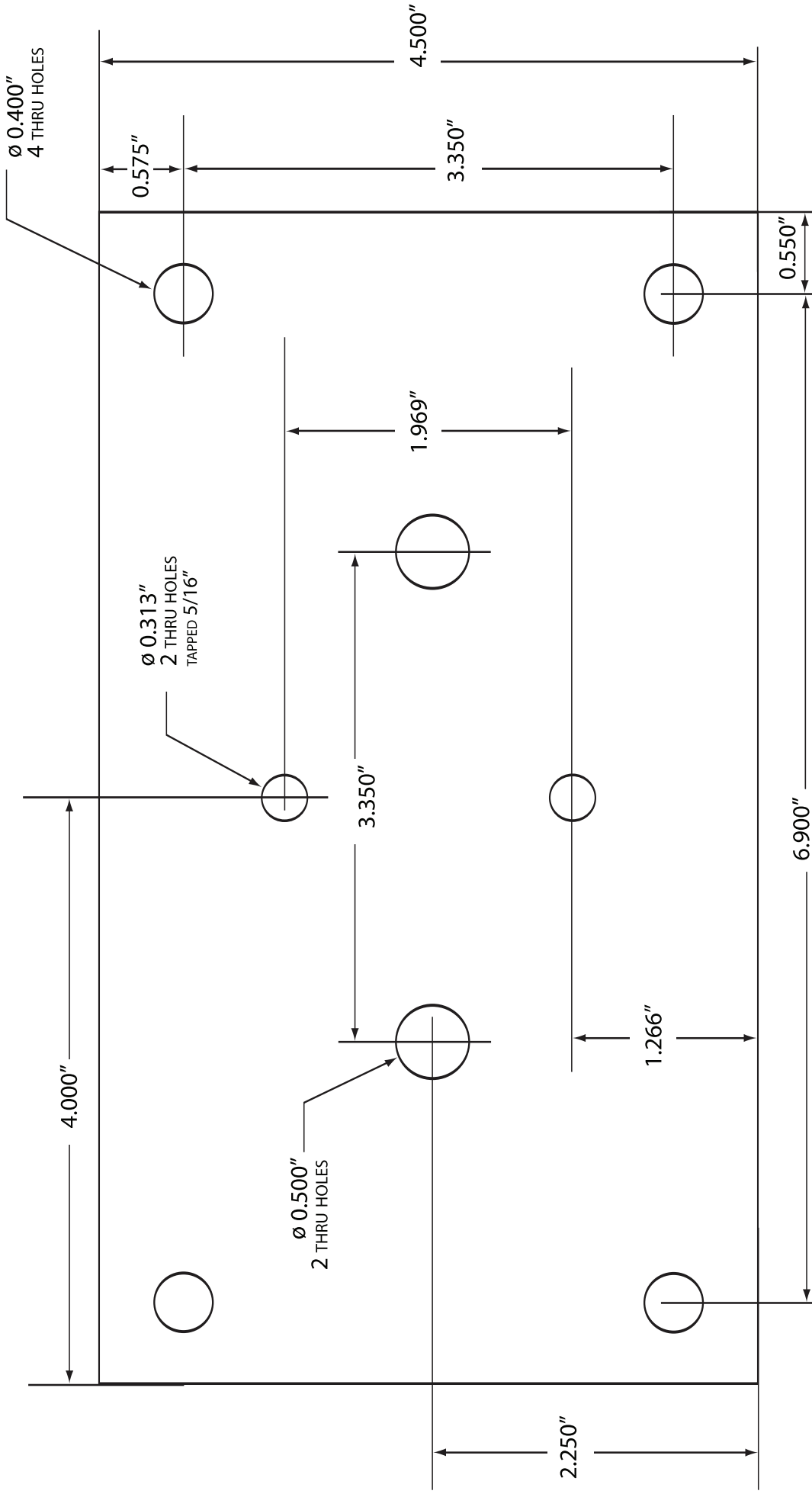
The Model 520005-TANKKIT includes a tank (No. 520005-310) and basket frame (No. 520005-320) for foam marker 520005.

**Note:** This kit may also be adapted for use as a replacement for tank 520004-310 used on foam marker 520004. When replacing the tank on foam marker 520004, both the original tank and tank frame must be replaced. To facilitate this, two adapter plates can be manufactured using the template on the reverse of this sheet and mounted on both sides of the new basket frame. This allows for mounting the basket frame to the original mounting holes on the sprayer and mounting the compressor assembly to the basket frame.



Tank lid, lid fittings, and mounting hardware are shown for illustration purposes only and are not included in the kit.

1/4" STEEL PLATE WITH 4 THRU HOLES (DIA. 0.4"), 2 THRU HOLES (.500"), AND 2 THRU TAPPED HOLES (DIA. 5/16")



**Pentair**

**SPRAY & INJECTION TECHNOLOGIES GROUP**  
 375 Fifth Avenue NW • New Brighton, MN 55112  
 Phone: (651) 766-6300 • 800-424-9776 • Fax: 800-323-6496  
[www.hydropumps.com](http://www.hydropumps.com)