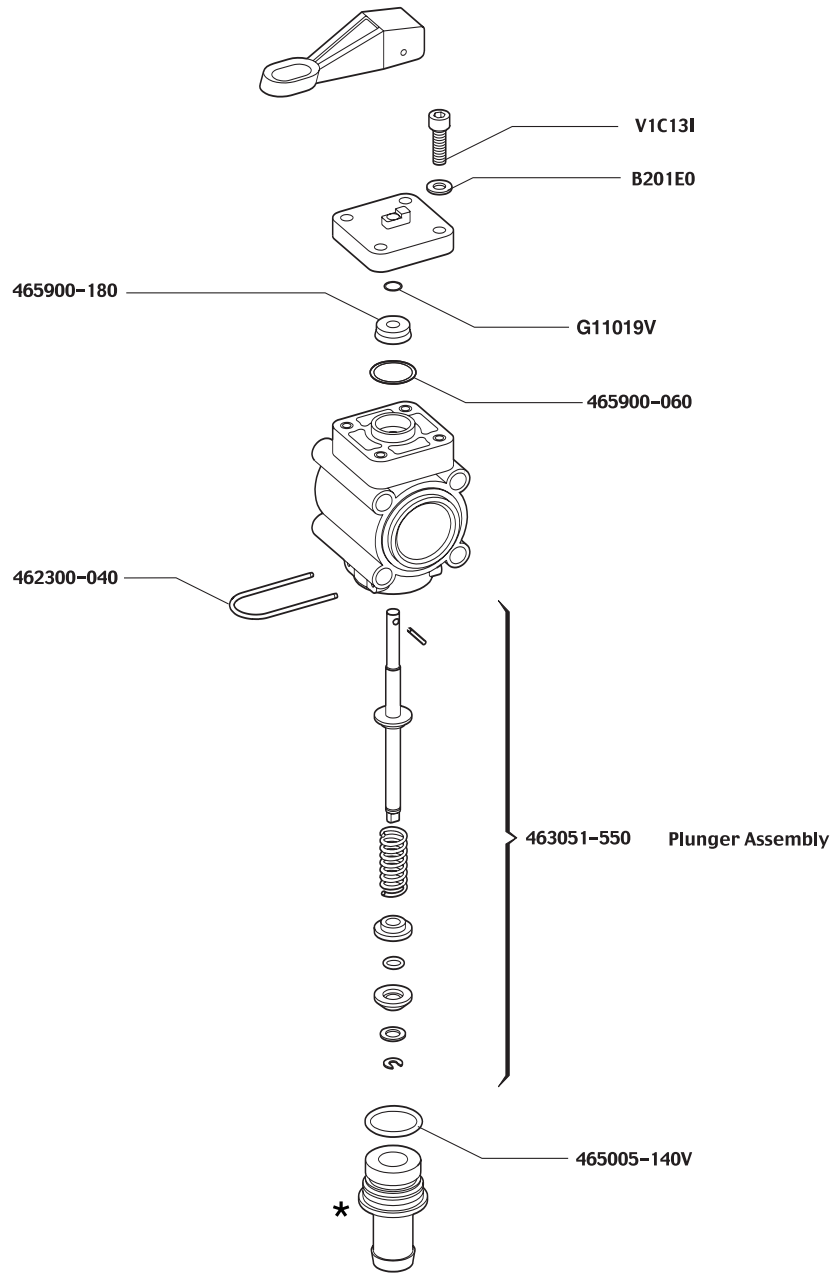


Parts Breakdown

BOOM SECTION VALVE

PART NUMBER 463051



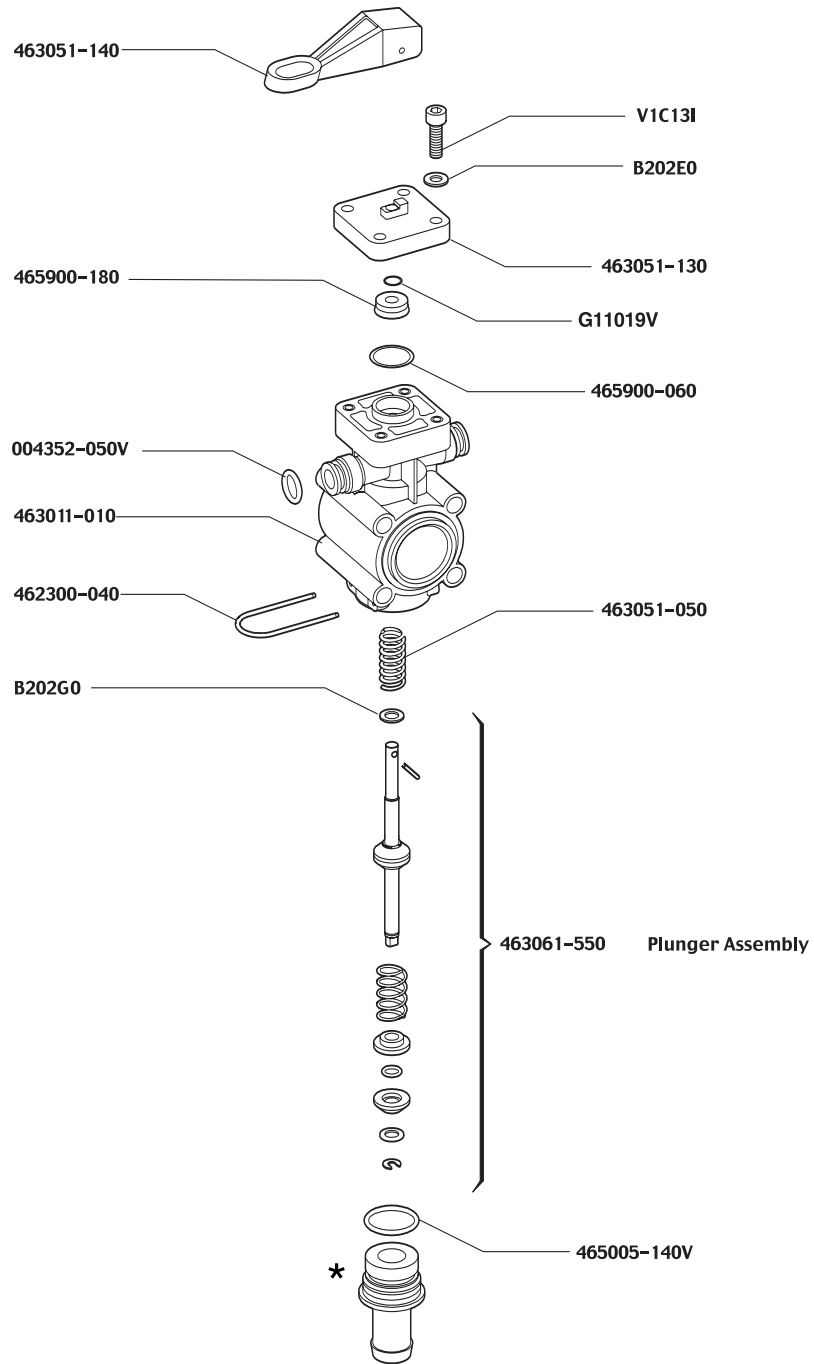
*** Outlet ports with Viton O-Rings**

Part Number	Hose Barb	FNPT
463001-110-1	3/8"	-
463001-113-1	1/2"	-
463001-119-1	3/4"	-
463001-275N-1	-	3/4"

Parts Breakdown

BOOM SECTION VALVE WITH BYPASS

PART NUMBER 463061

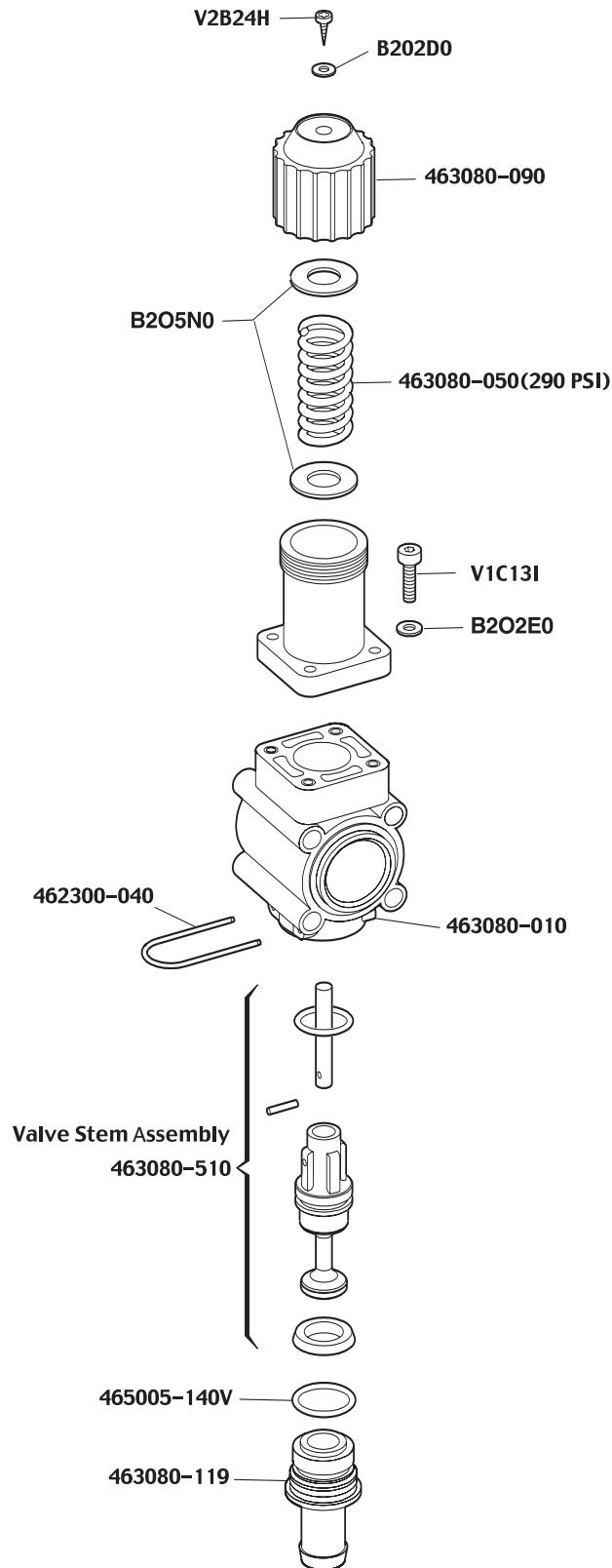


* Outlet ports with Viton O-Rings

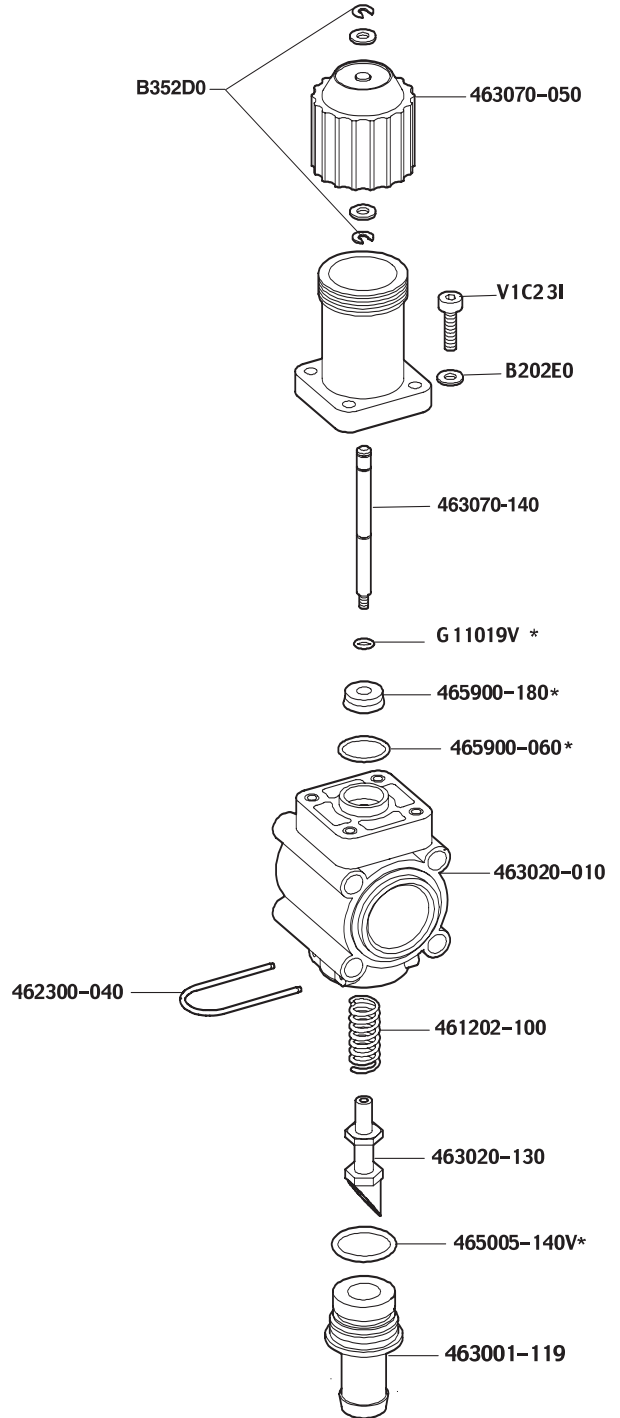
Part Number	Hose Barb	FNPT
463001-110-1	3/8"	-
463001-113-1	1/2"	-
463001-119-1	3/4"	-
463001-275N-1	-	3/4"

Parts Breakdown

PRESSURE REGULATING CONTROL VALVE PART NUMBER 463080N



PROPORTIONAL CONTROL VALVE PART NUMBER 463070N



* = 463020-500 Gasket set

Manifold Assemblies



Part Number

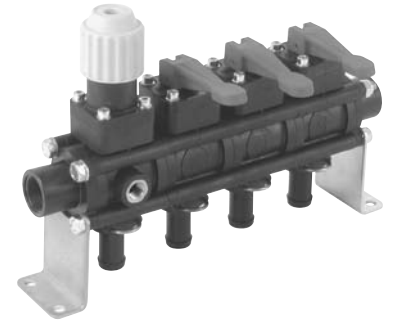
MV-463051-1

3/4" FNPT inlet, 3/4" hose barb outlets.



Part Number

MV-463051-3



Part Number

MV-463051-3-MPR

Includes pressure regulating valve

Manifold Assemblies with Bypass



Part Number

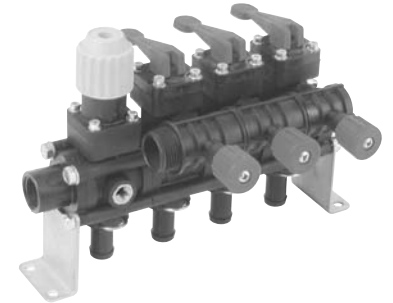
MV-463061-1

3/4" FNPT inlet, 3/4" hose barb outlets.



Part Number

MV-463061-3



Part Number

MV-463061-3-MPR

Includes pressure regulating valve

463 Series Manifold Mounting Kits

Boom Manifold Mounting Kits

Brackets can be rotated into any 90° position. Kit includes two mounting brackets, four proper length bolts, washers, lock nuts, and Viton® o-rings as required.



PART NO.	DESCRIPTION
B12151	Lock Nut
B201H1	Washer
463011-100	Mounting Bracket
G10071V	O-ring

Galvanized Part Number	Boom Sections
463000-910	1
463000-920	2
463000-930	3
463000-940	4
463000-950	5
463000-960	6
463000-970	7
463000-980	8
463000-990	9