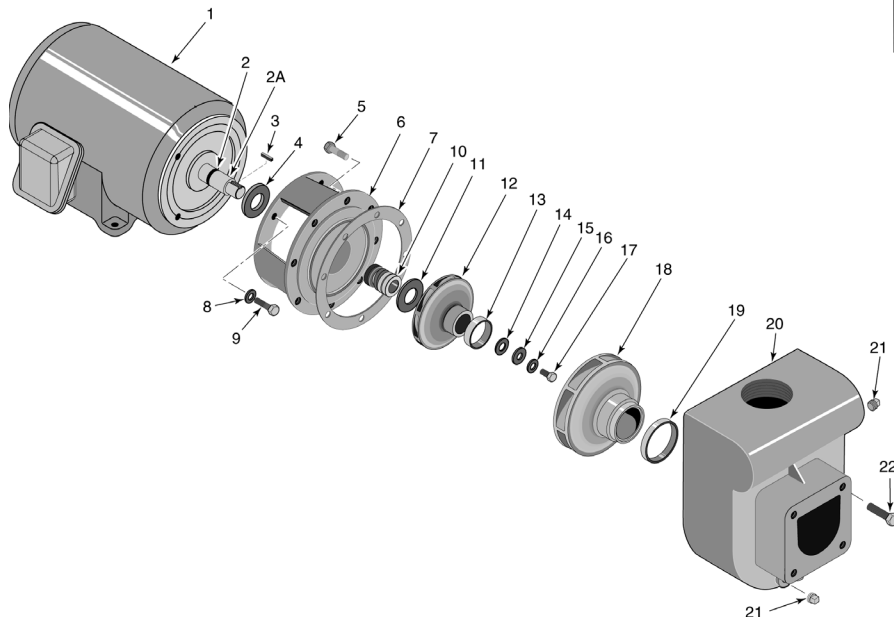


D SERIES™ PUMP

REPLACEMENT PARTS



Item	Part No.	Description
SELF PRIMING CENTRIFUGAL PUMP - D SERIES		
1	C218-177	Motor 230V/60H/1 Ph. DMH Medium Head: 3 HP, High Head: 3 HP
1	C218-180	Motor 230V/60H/1 Ph. DMJ Medium Head: 5 HP, High Head: 5 HP
1	C218-179	Motor 230/460V/60H/3 Ph. DMH Medium Head: 3 HP, High Head: 3 HP
1	C218-182	Motor 230/460V/60H/3 Ph. DMJ Medium Head: 5 HP, High Head: 5 HP
1	C218-191	Motor 200V/60H/1 Ph. DMH Medium Head: 3 HP, High Head: 3 HP
1	C218-192	Motor 200V/60H/1 Ph. DMJ Medium Head: 5 HP, High Head: 5 HP
1	C218-178	Motor 200V/60H/3 Ph. DMH Medium Head: 3 HP, High Head: 3 HP
1	C218-181	Motor 200V/60H/3 Ph. DMJ Medium Head: 5 HP, High Head: 5 HP
2	U9-265	O-Ring
2A	C23-58	Sleeve
3	U65-42A	Key, Square 3/16 x 3/16 x 7/8 in.
4	N/A	
5	071681	Screw 3/8 x 16 x 7/8 in. HH
6	C2-66	Motor Adapter
7	C20-46	Gasket, Adapter
8	U43-12ZP	Lockwasher, 3/8 in. ¹
9	U30-73ZP	Capscrew, 3/8-16 x 7/8 in.
10	U109-433SS	Shaft Seal ³
11	C20-101	Gasket, Seal
12	C5-246	Impeller ² - Medium Head: 3 HP
12	C5-247	Impeller ² - Medium Head: 5 HP

Item	Part No.	Description
SELF PRIMING CENTRIFUGAL PUMP - D SERIES		
12	C5-248	Impeller ² - High Head: 3 HP
12	C5-249	Impeller ² - High Head: 5 HP
13	J23-5	Wear Ring (Only)
13	C23-14	Wear Ring (Only) - Medium Head: 5 HP
14	C20-100	Gasket
15	C43-45SS	Washer, Impeller
16	C43-46	Gasket
17	U30-72SS	Screw, Impeller 3/8-16 x 3/4 in. ¹
18	C101-126	Volute Diffuser w/ Wear Ring Medium Head: 3 HP
18	C101-126B	Volute Diffuser w/ Wear Ring Medium Head: 5 HP
18	C101-132	Volute Diffuser w/ Wear Ring High Head: 3 HP, High Head: 5 HP
19	C21-2	Diffuser Ring
20	C76-12	Pump Body Medium Head: 3 HP, High Head: 5 HP
20	C76-12C	Pump Body - Medium Head: 5 HP
20	C76-12B	Pump Body - High Head: 3 HP
21	U78-941ZPV	Pipe Plug, 1/4 in. NPT ¹
22	U30-60ZP	Capscrew 5/16-18 x 3/4 in.
NOT SHOWN		
	U212-68T	Draincock, 1/4 in. NPT *

¹ Purchase locally.

² Change effective 6/97.

³ Replaces U109-220 (effective 8/00).

Note: D Series with different numbers (i.e. DMH-64) use different parts. Consult factory for older models.