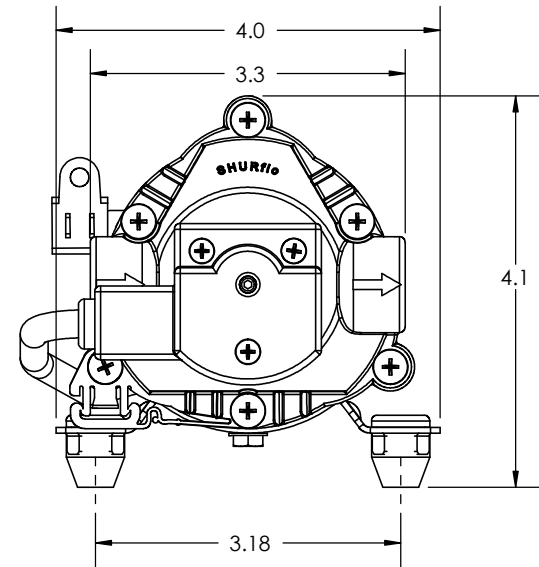
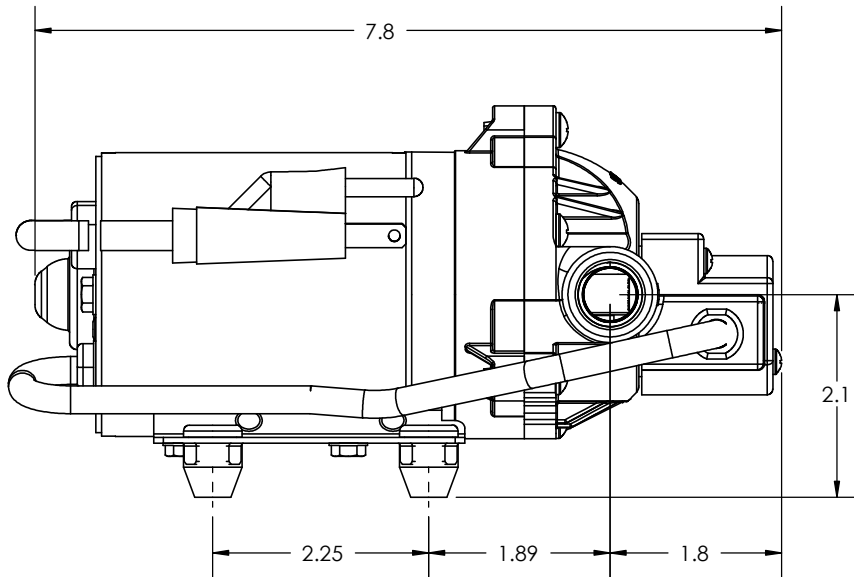


2 X 3/8 NPT
Ports

4 X 0.19 Dia.
Mfg. Holes



Installation Drawing 28C