



SHURFLO PIRANHA™ BALLAST 1100 GPH

MARINE BALLAST PUMP – PRODUCT TECHNICAL DATA SHEET

OEM: 357-106-00
AFTERMARKET: 357-106-10



APPLICATION:
Ballast tanks fills

PUMP DESIGN:

Type: Centrifugal Pump
Outlet Port: 1-1/8" Barb
Inlet Port: 3/4" NPT-M
Liquid: 130°F [54°C] Max
Prime: Flooded Inlet
Run Dry: No
Inlet Pressure: 30 PSI Max. [2.06 Bar]

ELECTRICAL:

Motor: 12V DC Permanent Magnet, Continuous Duty
Protection: Need External Fuse (not supplied)
Leads: 6 feet [1.8M] Tinned 16 AWG
Fuse: 6 Amp Recommended
Control: No Control – External fuse required

MATERIALS OF CONSTRUCTION:

Housings: High Strength Nylon
Impeller: High Strength Nylon
Hardware: Stainless Steel

AGENCY APPROVALS:

Ignition Protection 8846, CE,

SHIPPING INFORMATION:

Approx. Net Weight: 1.4 Lbs. [0.63 Kg] each
Carton Qty.: 24
Approx. Carton Weight: 33 Lbs. [15 Kg]
Approx. Carton Size: 24" L X 18" W X 11" H [61cm x 46cm x 28cm]

REPAIR KITS

94-620-00

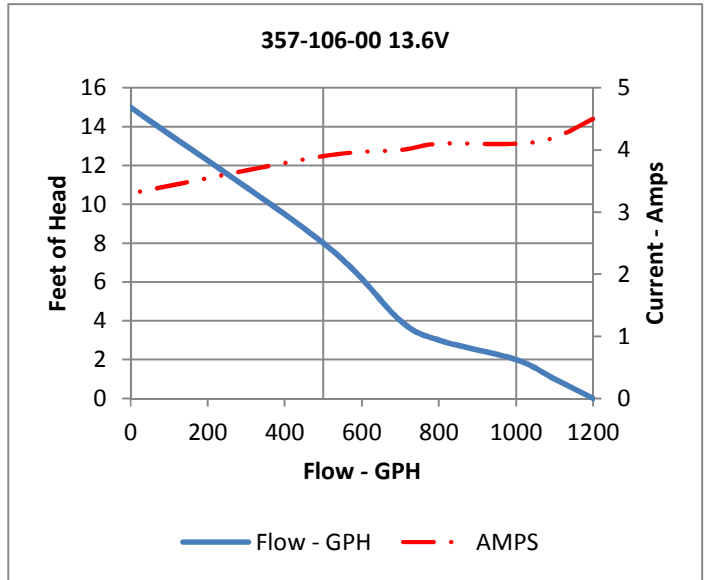


RELATED DOCUMENTS:

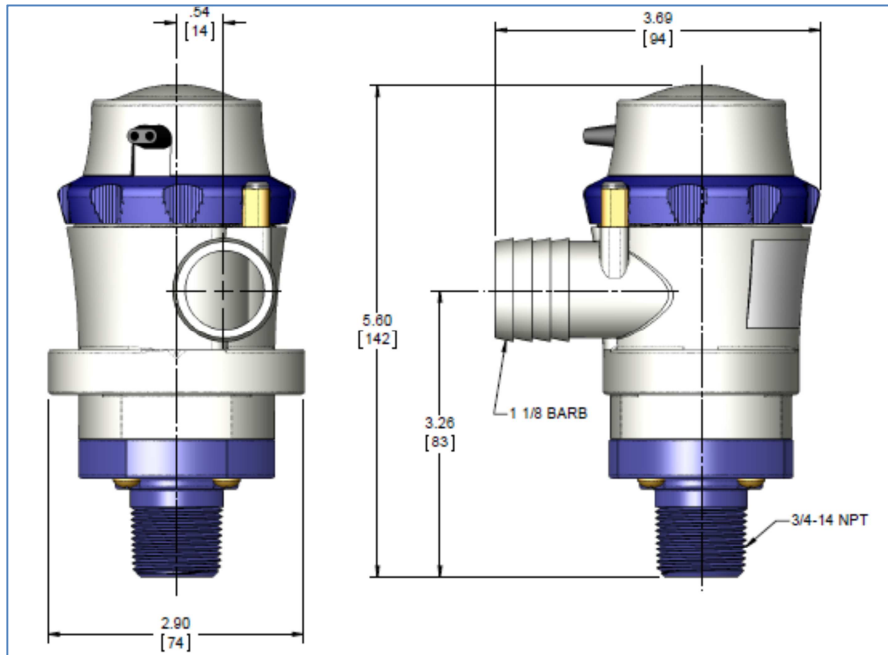
Catalog: MS-030-140
 Application Spec Guide: MS-020-005
 Installation Manual: 911-1034
 Aftermarket Warranty: 911-1045

TYPICAL PERFORMANCE AT 13.6V

PRESSURE		FLOW		CURRENT
Meters	Ft	GPH	LPM	AMPS
0	0	1200	4542	4.5
0.30	1	1100	4163	4.2
0.60	2	1000	3785	4.1
0.91	3	800	3028	4.1
1.21	4	700	2649	4.0
2.43	8	500	1892	3.9
4.6	15	0.0	0.0	3.3



DIMENSIONS



WATER PURIFICATION

3545 Harbor Gateway South, Suite 103, Costa Mesa, CA 92626, (800) 854-3218 www.SHURFLO.com

All Pentair trademarks and logos are owned by Pentair, Inc. All other brand or product names are trademarks or registered marks of their respective owners. Because we are continuously improving our products and services, Pentair reserves the right to change specifications without prior notice. Pentair is an equal opportunity employer.