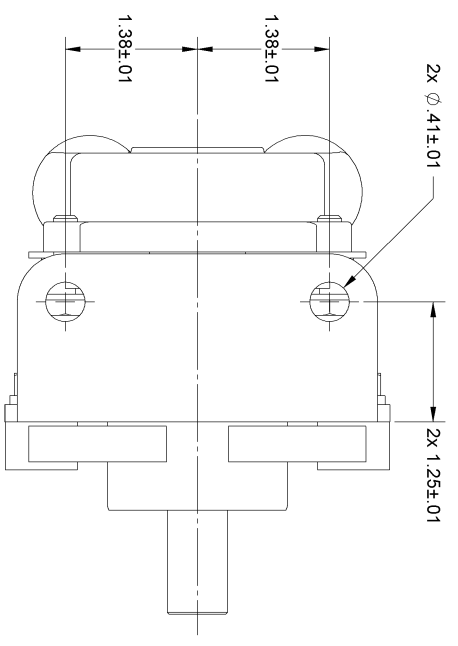
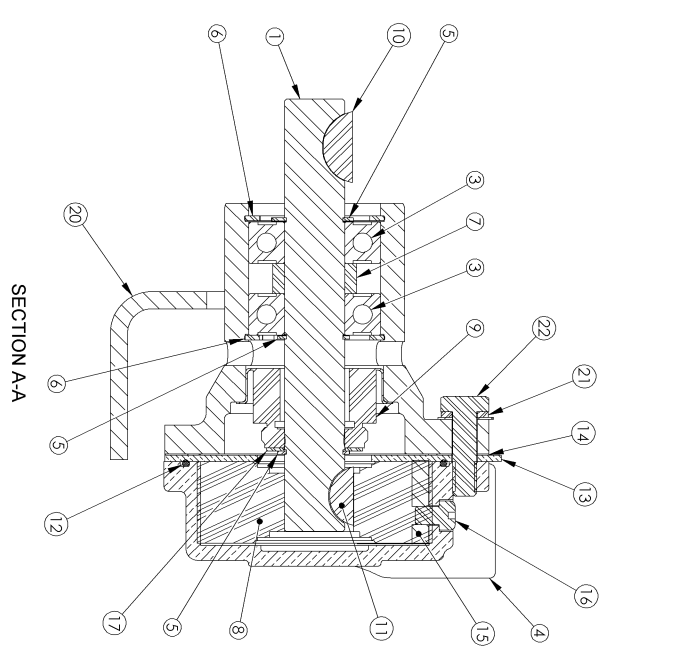
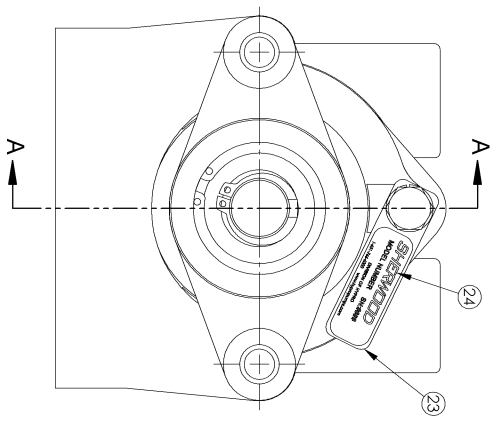
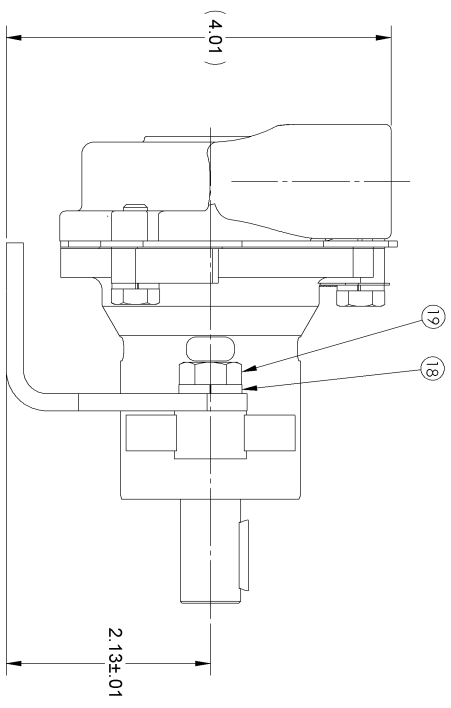


- NOTES:
1. PRINT MODEL AND DATE CODE ON 23083 LABEL, (24).
 2. APPLY PERMATEX TO CAM SCREW, (17) BEFORE ASSEMBLY.
 3. USE COOLANT TO AID IN INSTALLATION OF RUBBER IMPELLER, (8).
 4. USE WATER ONLY WHEN INSTALLING TYPE 6A SEAL/SEAT ASSY, (10).
 5. TORQUE 1/4-20 HHCS, (22) TO 5 - 8 FT/LBS.

| ITEM NO. | PART NUMBER | DESCRIPTION | QTY. |
|----------|-------------|------------------------|------|
| 1 | 21578 | SHAFT | 1 |
| 2 | 12227 | BODY | 1 |
| 3 | 12211 | BALL BEARING | 2 |
| 4 | 18451 | HOUSING - MACHINED | 1 |
| 5 | 04258 | EXT. RETAINING RING | 3 |
| 6 | 04259 | INT. RETAINING RING | 2 |
| 7 | 05133 | SPACER | 1 |
| 8 | 9000 | RUBBER IMPELLER | 1 |
| 9 | 12314 | TYPE 6A SEAL/SEAT ASSY | 1 |
| 10 | 04432 | WOODRUFF KEY | 1 |
| 11 | 18576 | KEY, WOODRUFF | 1 |
| 12 | 12231 | O-RING | 1 |
| 13 | 12856 | WEAR PLATE | 1 |
| 14 | 12855 | GASKET | 1 |
| 15 | 18663 | CAM | 1 |
| 16 | 10195 | CAM SCREW 10-32NFT | 1 |
| 17 | 04264 | FLAT WASHER | 1 |
| 18 | 04991 | LOCKWASHER | 1 |
| 19 | 11633 | HHCS 3/8-16 UNC | 2 |
| 20 | 12393 | MOUNTING BRACKET | 2 |
| 21 | 12710 | LOCKWASHER | 3 |
| 22 | 12857 | 1/4-20 HHCS | 3 |
| 23 | 13285 | TAG | 1 |
| 24 | 23083 | LABEL | 1 |



| | | | | |
|------|------|-----------------------------------|------|------------|
| 0 | 4627 | RECOVER 12255 SEAT ASSY AND NOTES | PEB | 1/12/2002 |
| 8 | 5977 | NOTE 4 WAS THE PLACE FOR FOOTING | DV | 11-13-2006 |
| 8 | 5814 | UPDATE ROA DRAWING | DV | 8/2/2006 |
| REV. | ECN | REVISION DESCRIPTION | CHKD | DATE |

SHERWOOD
A Div. of *Hippo Corporation* A PENTAIR COMPANY
375 Fifth Avenue NW, New Brighton, MN 55112 (651) 764-6300

DRIVING BASED ON ASME Y14.5M-1994 DO NOT SCALE PRINT
SCALE SHEET NUMBER 1 OF 1
PART DESCRIPTION: RUBBER IMPELLER PUMP ASSY

REV. DATE: 6/15/1995
DWG BY: SEB
CHECKED BY: DATE:
APPROVED BY: DATE:
AND WITHOUT WRITTEN AUTHORIZATION, NO PART NUMBER OR DIMENSION REV.

REPLACES PART NO. REV.

G11 D