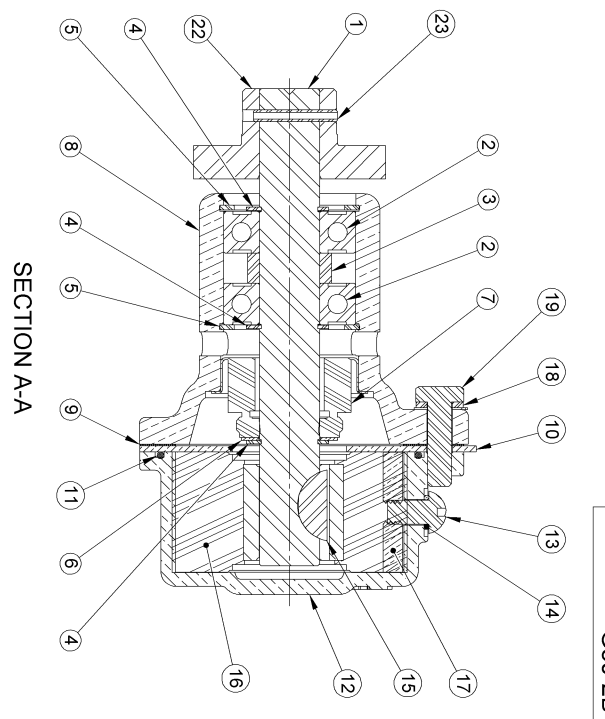
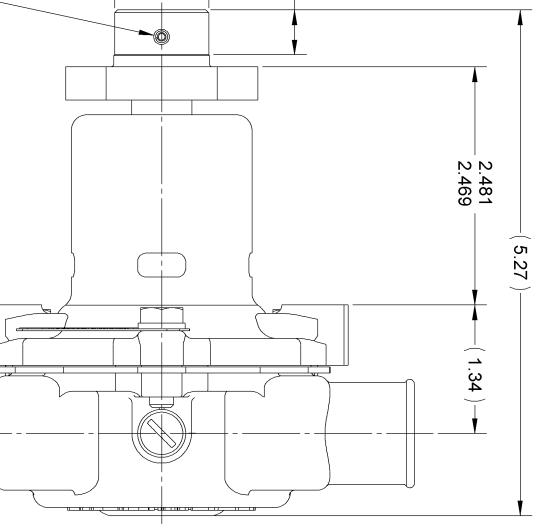
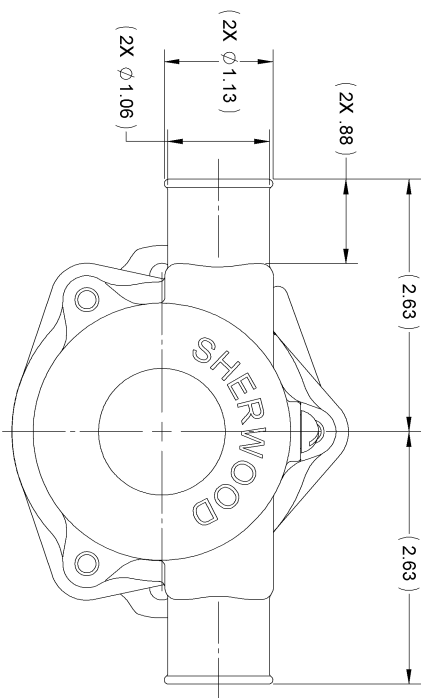
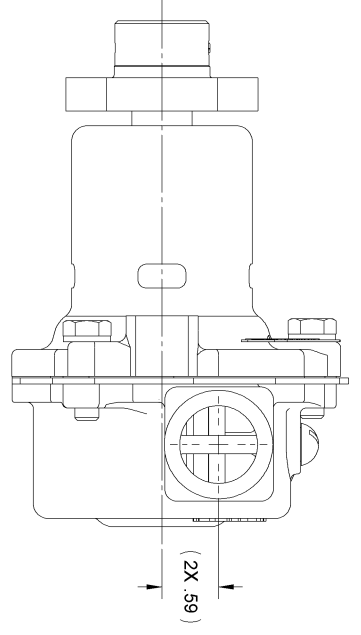
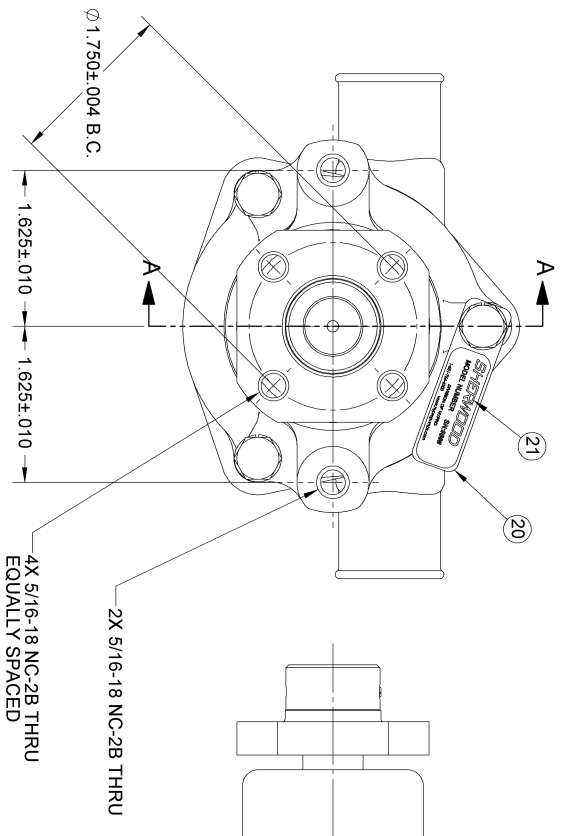


ITEM NO.	PART NUMBER	DESCRIPTION	QTY.
1	12612	SHAFT	1
2	12211	BALL BEARING	2
3	05133	SPACER	1
4	04258	EXT. RETAINING RING	3
5	04259	INT. RETAINING RING	2
6	04264	FLAT WASHER	1
7	12314	TYPE 6A SEAL/SEAT ASSY	1
8	19784	BODY - BRASS	1
9	12855	GASKET	1
10	12856	WEAR PLATE	1
11	12231	O-RING	1
12	12303	HOUSING	1
13	19995	SCREW 1/4-20 ROUND HD	1
14	19996	CAM WASHER	1
15	04432	WOODRUFF KEY	1
16	09959	RUBBER IMPELLER	1
17	15883	CAM	1
18	12710	LOCKWASHER	3
19	12857	1/4-20 HHCS	3
20	13285	TAG	1
21	23083	LABEL	1
22	12615	HUB - PULLEY	1
23	12791	SPRING PIN - SLOTTED	1



- ASSEMBLY NOTES:
1. APPLY BEAD OF PERMATEX AROUND THREADED HOLE IN CAM, ITEM 17.
 2. USE WATER ONLY WHEN INSTALLING TYPE 6A SEAL/SEAT ASSY, ITEM 7.
 3. USE COOLANT TO AID IN INSTALLATION OF RUBBER IMPELLER, ITEM 16.
 4. TORQUE 1/4-20 HHCS TO 5 - 8 FT/LBS, ITEM 19
 5. PRESSURE TEST PUMP AT 20 - 30 PSI
 6. PRINT ON LABEL, ITEM 21
G30-2B
DATE CODE



REV.	DESCRIPTION	DATE	BY	CHKD	APP'D
C	REMOVE 12564 SEAT ASSY & 10151C CAM/SCREW ASSY	11/9/2007	PAB		
B	ADD 19995 CAM/SCREW & 19996 CAM/WASHER	6/20/2005	FE		
A	CHG REC 12211 WAS 23448	8/15/2002	DVJ		
REV.	CON	REVISION DESCRIPTION			

SHERWOOD		REPLACES PART NO.	
A Div. of <i>Hippo Corporation</i> A PERRIN COMPANY		-	
375 Fifth Avenue NW, New Brighton, MN 55112 (651) 764-6300		REV.	
DRAWING BASED ON ASME Y14.5M-1994 DO NOT SCALE PRINT		DWG BY: KB DATE: 5/11/1992	
THIRD ANGLE PROJECTION		APPROVED BY: T.L.G. DATE: 5/19/1992	
SCALE: 1-1 SHEET NUMBER: 1 OF 1		AND WITHOUT WRITTEN AUTHORIZATION	
PART DESCRIPTION: RUBBER IMPELLER PUMP ASSY		PART NUMBER: G30-2B	
REV. C			