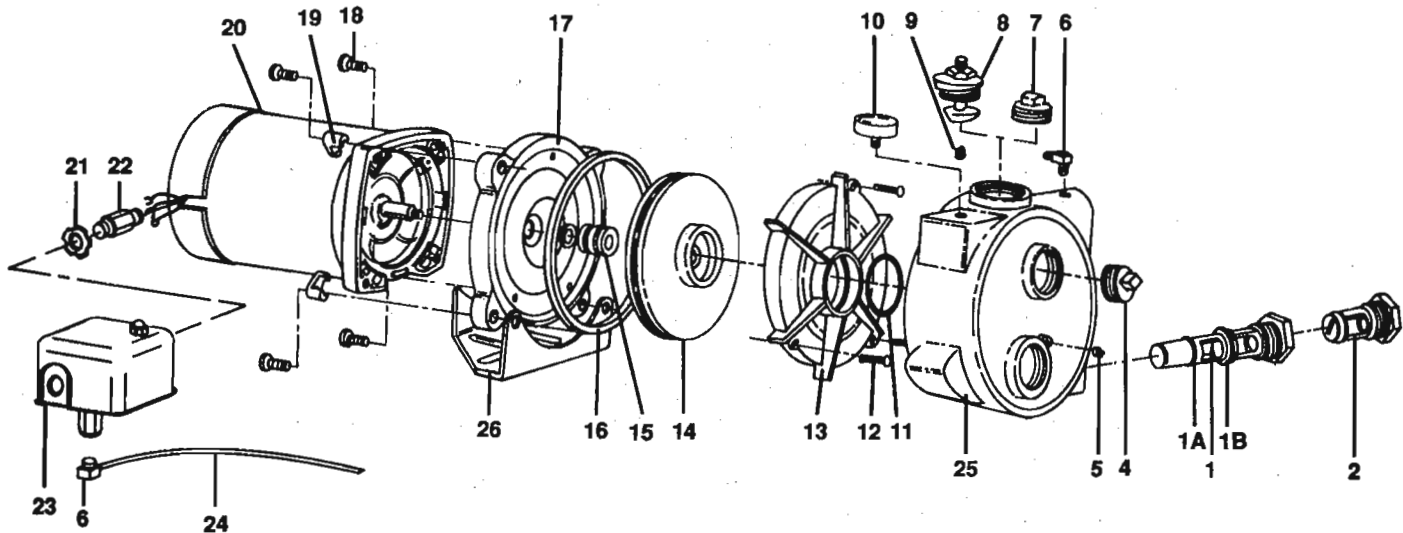


PARTS BY HORSEPOWER

Key	Description	1/2 HP	3/4 HP	1 HP
		2805E & 06E	2810E	2815E
1	Injector	992-872	992-873	992-874
13	Diffuser	595-110	595-110	595-109
14	Impeller	992-878	992-879	992-880
17	Seal Plate	404-142	404-142	404-143
20	motor	517-061	517-062	517-063
N/S	Priming Plate	595-107	595-108	595-108



Key Description	Part No.	Key Description	Part No.
2 Deep Well Plug	992-869	24 Pressure Tubing	403-006
4 1" Pipe Plug	-Purchase Locally-	25 Case	404-144
5 1/4" Pipe Plug	-Purchase Locally-	26 Motor Base	093-338
6 Tubing Fitting	322-005	- Deep Well Conversion Kit	MDWC
8 bushing	112-083		(#2, 8 & 100
10 Pressure Gauge	346-001	N/S Flex Hose for Tank System	403-005
11 Diffuser Seal Ring	546-032	N/S 1" Male x 3/4" Barb Elbow	322-006
12 Screw 10-24 x 3/4"	670-698		For Tank System (Upper)
15 Seal - 5/8"(2 piece)(MSS58)	992-705	N/S 3/4 Female x 3/4" Barb Elbow	322-005
16 Gasket	345-038		For Tank System (Lower)
18 Cap Screws 3/8-16x13/4"	670-700	N/S Tank for Tank System	HT7
19 Cap Screws 3/8-16 x 1 3/4"	670-700	N/S Rubber Spacer (2)	546-016
21 Lock washer	-Purchase Locally-	27 O-Ring	546-030
22 Nipple - 1/2"	540-003	28 O-Ring	546-027
23 Pressure Switch 20/40	790-167	29 Valve	745-009
23 Pressure Switch 30/50	790-166		