



STRUCTURAL CH5814

DISTRIBUTOR ASSEMBLY INSTRUCTIONS

USED ON DST 5683, 5684, 5686

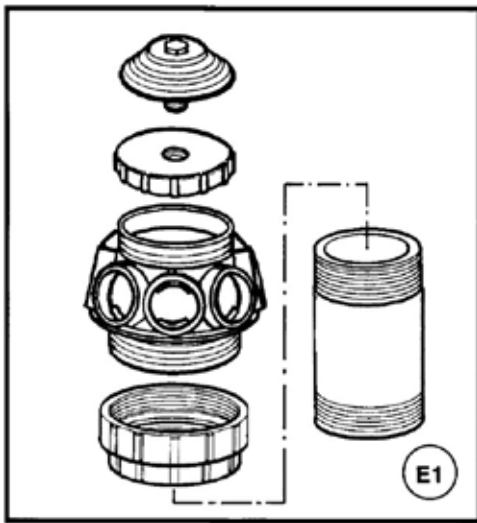
BOTTOM MOUNT HUB AND LATERAL SYSTEM

FLANGED COMPOSITE TANKS

(30", 36", 42", 48") DIAMETER TANKS

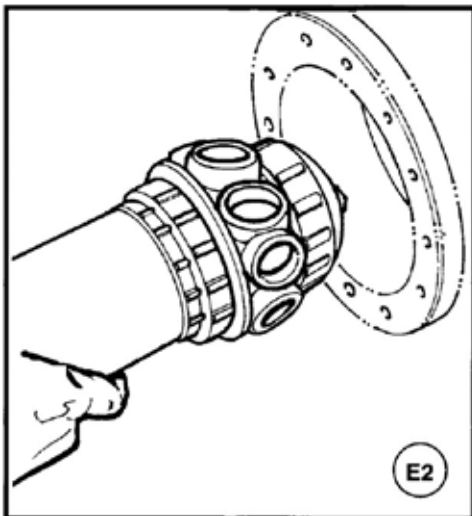
STEP 1

Exploded view of Hub Components.



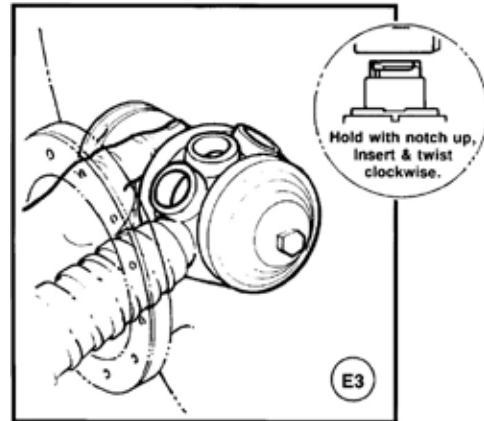
STEP 2

Assemble Hub, as shown, and insert assembly into flange opening.



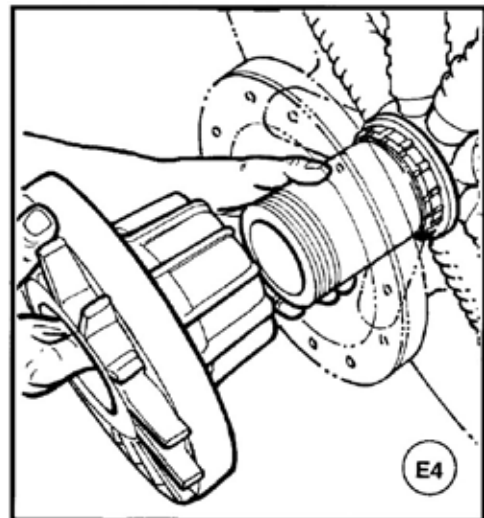
STEP 3

After assembly is inside the tank, rotate the assembly 90°. Hold the Hub assembly with one hand, as shown, and assemble laterals by inserting and twisting clockwise. Note: Be sure lateral ends are tight.



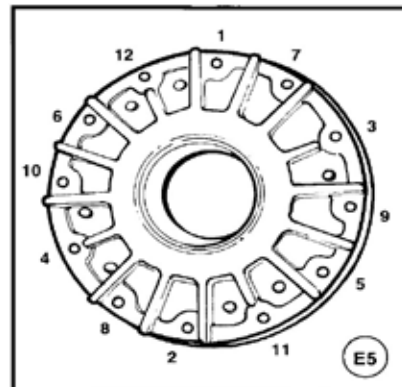
STEP 4

After all laterals are assembled, hold the assembly, as shown, and thread on the flanged adaptor. Note: Be sure o-ring is attached and seated properly to flanged adaptor. Note: Optional means of assembly, see steps E7, E8, E9.

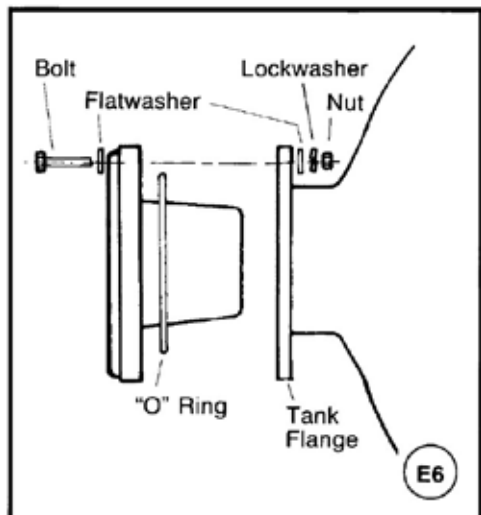


STEP 5

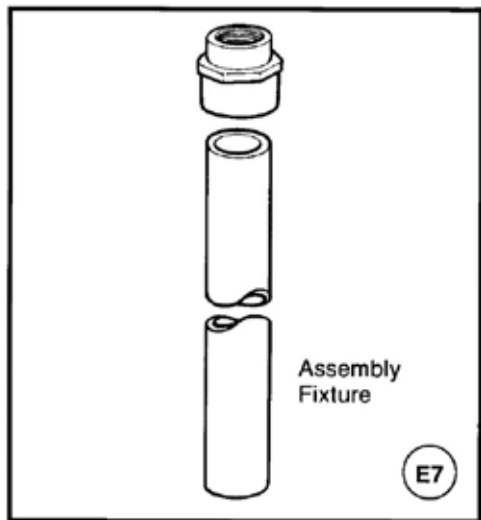
Using 1/2" wrenches, tighten 5/16" x 2-1/2" long bolts alternately, as shown, until the flanges are flush with each other and seal is attained.



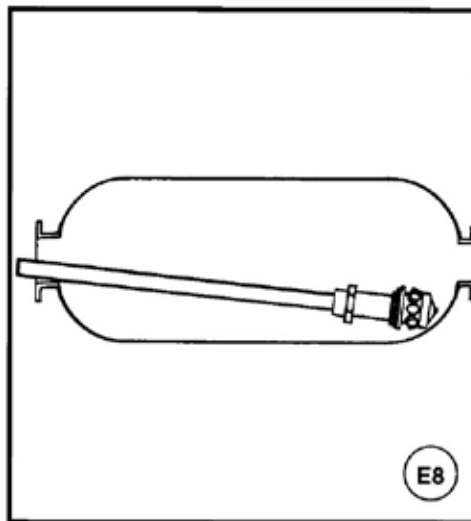
STEP 6
Assemble as shown.



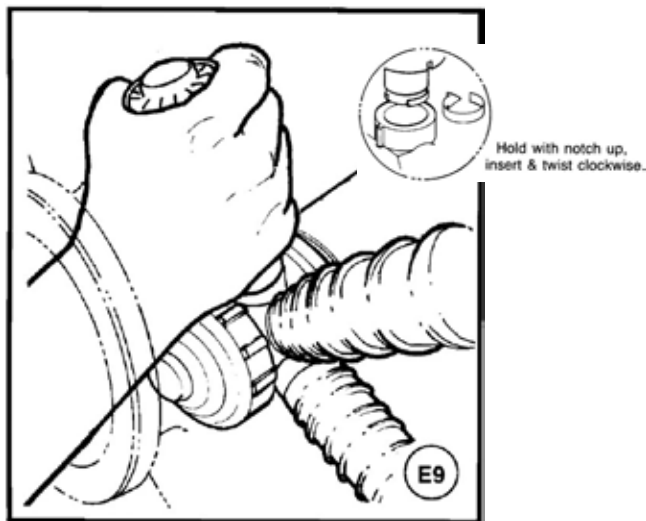
STEP 7
Use length of 3" PVC pipe (longer than tank length), slip on 3" PVC female adaptor (do not bond). This fixture is used for ease of assembly. (Furnished by customer).



STEP 8
The Hub Assembly is threaded on to the female adaptor of the assembly fixture and inserted into top opening. Allow to rest on side wall of tank. (As shown).



STEP 9
Install laterals one at a time through bottom opening. Insert laterals into Hub and lock into place by turning clockwise. Note: Be sure lateral ends are tight.



For Structural Product Warranties visit: } waterpurification.pentair.com
 Structural para las garantías de los productos visite: }
 Pour Structural garanties produit visitez le site :

CALIFORNIA PROPOSITION 65 WARNING

⚠ WARNING: This product contains chemicals known to the State of California to cause cancer or birth defects or other reproductive harm.



WATER QUALITY SYSTEMS
 5730 NORTH GLEN PARK ROAD, MILWAUKEE, WI 53209
 P: 262.238.4400 | WATERPURIFICATION.PENTAIR.COM | CUSTOMER CARE: 800.279.9404 | tech-support@pentair.com

All Pentair trademarks and logos are owned by Pentair, Inc. or its affiliates. All other registered and unregistered trademarks and logos are the property of their respective owners. Because we are continuously improving our products and services, Pentair reserves the right to change specifications without prior notice. Pentair is an equal opportunity employer.
 CH5814 REV B FE16 © 2016 Pentair Residential Filtration, LLC All Rights Reserved.