

# AURORA® 1070 DRY ROTOR SERIES AP7/APB7 CIRCULATORS

Job: \_\_\_\_\_ Representative: \_\_\_\_\_

\_\_\_\_\_ Ordered by: \_\_\_\_\_ Date: \_\_\_\_\_

Engineer: \_\_\_\_\_ Submitted by: \_\_\_\_\_ Date: \_\_\_\_\_

Contractor: \_\_\_\_\_ Approved by: \_\_\_\_\_ Date: \_\_\_\_\_

| QUANTITY | TAG NO. | PART NUMBER | FLOW (USgpm) | HEAD (FEET) | VOLTAGE | PHASE | COMMENTS |
|----------|---------|-------------|--------------|-------------|---------|-------|----------|
|          |         |             |              |             |         |       |          |
|          |         |             |              |             |         |       |          |

**TECHNICAL DATA**

**Flow Range:** 0 to 38.0 USgpm (0 to 2.4 L/s)  
**Head Range:** 0 to 26.0 feet (0 to 7.9 m)  
**Max/Min Fluid temp:** 230°F/40°F (110°C/4°C)  
**Max. Working Pressure:** 150 psi (1034 kPa)

**MOTOR DATA**

|                           |      |      |      |
|---------------------------|------|------|------|
| <b>Voltage</b>            | 120V | 208V | 240V |
| <b>Full Load Amp Draw</b> | 2.0A | 1.0A | 1.0A |

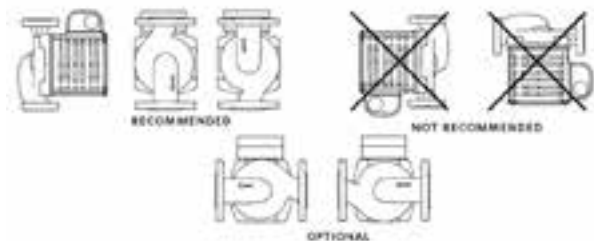
---

**Nominal Power:** 1/6 hp (125w)      **Frequency:** 60 Hz  
**Motor Type:** Two pole, Single phase      **Speed:** 3400 rpm

**MATERIALS OF CONSTRUCTION**

**Pump Body:** Cast iron (closed systems)  
 Bronze (lead free for open systems)

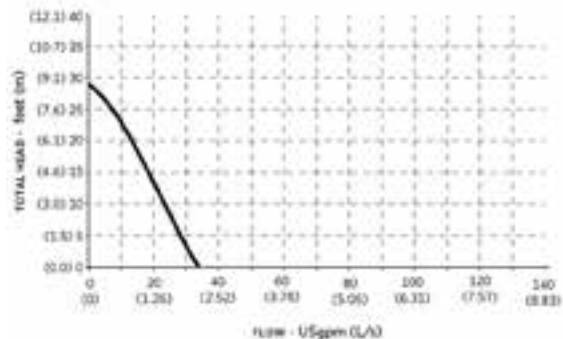
**Face Plate:** Stainless steel      **Shaft:** Stainless steel  
**Impeller:** 30% Glass-filled Noryl®      **Volute Gasket:** EPDM  
**Bearings:** Permanently lubricated stainless steel  
**Seal:** Silicon carbide enviroseal c/w Viton® elastomer

**MOUNTING ORIENTATION For indoor use only**

**PART NUMBER**

|      | 120V       | 240V       |
|------|------------|------------|
| AP7  | 6365476642 | 6365477642 |
| APB7 | 6365476644 | 6365477644 |

**APB7/APB7 ACCESSORIES**

- 3/4" Flange kits
- 1" Flange kits
- 1-1/4" Flange kits
- 1-1/2" Flange kits
- Timer
- Aquastat
- Spool pieces

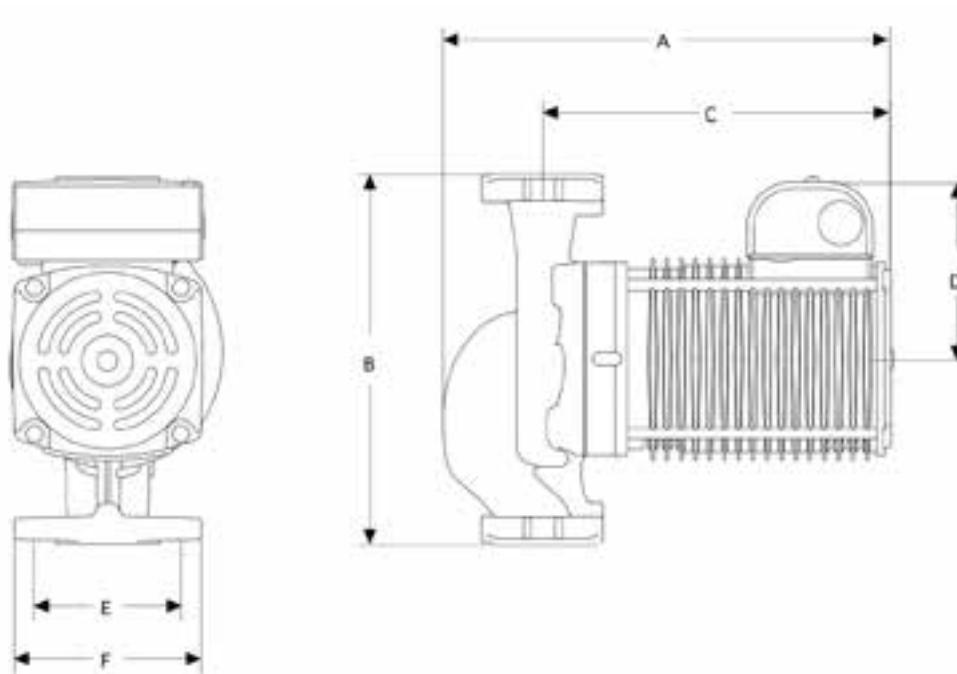
**PERFORMANCE CURVE**


Performance curves are for reference only.

Noryl® is a registered trademark of Sabic Innovative Plastics IP B.V.  
 Viton® is a registered trademark of E. I. du Pont de Nemours and Company.  
 All other brand or product names are trademarks or registered trademarks of Pentair Ltd.

# AURORA® 1070 DRY ROTOR SERIES AP7/APB7 CIRCULATORS

| DIMENSIONS INCHES (mm) |           |               |               |               |              |              |               |                               | SHIP WEIGHT  |
|------------------------|-----------|---------------|---------------|---------------|--------------|--------------|---------------|-------------------------------|--------------|
| MODEL                  | BODY      | A             | B             | C             | D            | E            | F             | CONNECTION TYPE & SIZE        | lbs (kgs)    |
| AP7                    | Cast iron | 7.10<br>(180) | 6.40<br>(164) | 5.50<br>(140) | 3.80<br>(97) | 3.20<br>(81) | 4.20<br>(107) | 1.25" diameter 2-bolt flanges | 12.25 (5.55) |
| APB7                   | Bronze    | 7.10<br>(180) | 6.40<br>(164) | 5.50<br>(140) | 3.80<br>(97) | 3.20<br>(81) | 4.20<br>(107) | 1.25" diameter 2-bolt flanges | 13.55 (6.15) |



800 AIRPORT ROAD, NORTH AURORA, ILLINOIS 60542 [www.AuroraPump.com](http://www.AuroraPump.com)

Because we are continuously improving our products and services, Pentair reserves the right to change specifications without prior notice.  
© 2014 Pentair Ltd. All Rights Reserved

AP7\_APB7 [02/19/14]