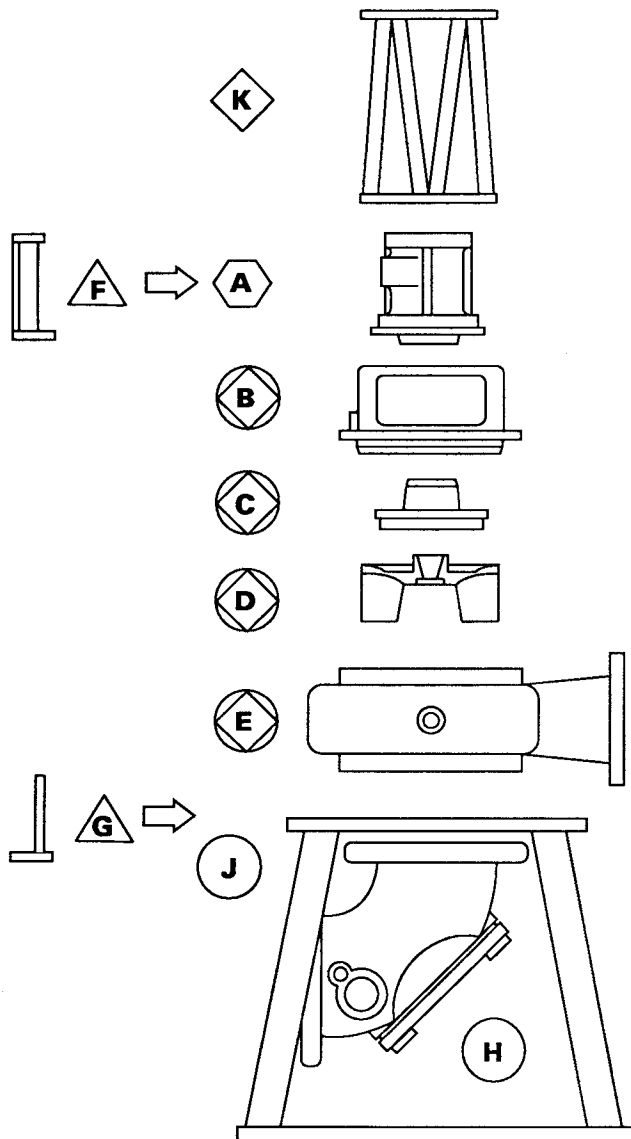


ENGINEERING DATA

INTERCHANGEABILITY

Non-Clog pumps are designed for maximum interchangeability. All models are available in all 6 sizes, offering a model and size precisely fitted to the installation requirements over a wide range of capacities. The 6 sizes are divided into 3 "Power Frames". Within a given power frame, all parts are interchangeable except for the liquid end and supports. The chart illustrates the degree of interchangeability achieved with the standard non-clog vortex pumps.



- Model 661A Only▲
- Model 663A Only◇
- Models 662A, 663A, & 664A○
- Models 661A, 662A, & 663A◊
- Models 661A, 662A, 663A, & 664A◐

	Qty
A - Power Frames	3
B - Brackets	5
C - Stuffing Boxes	3
D - Impellers	7
E - Casings	6
F - Mounting Feet (Rear)	3
G - Mounting Feet (Front)	3
H - Elbows	3
J - Bases	2
K - Motor Supports	3

POWER FRAME SELECTION

PUMP SIZE	POWER FRAME	RPM			
		1750	1150	875	700
3x3x9	3C	3C	3C		
4x4x9	3C	3C	3C		
3x3x12	3C	3C	3C		
4x4x12	3C	3C	3C		
6x6x12	5E	4C	4C		
6x6x15		5E	5E	5E	

AURORA 660A SERIES ENGINEERING DATA

INTERCHANGEABILITY

**POWER
FRAMES
(3)**

**BRACKETS
(5)**

**STUFFING
BOXES
(3)**

**IMPELLERS
(7)**

**CASINGS
(6)**

