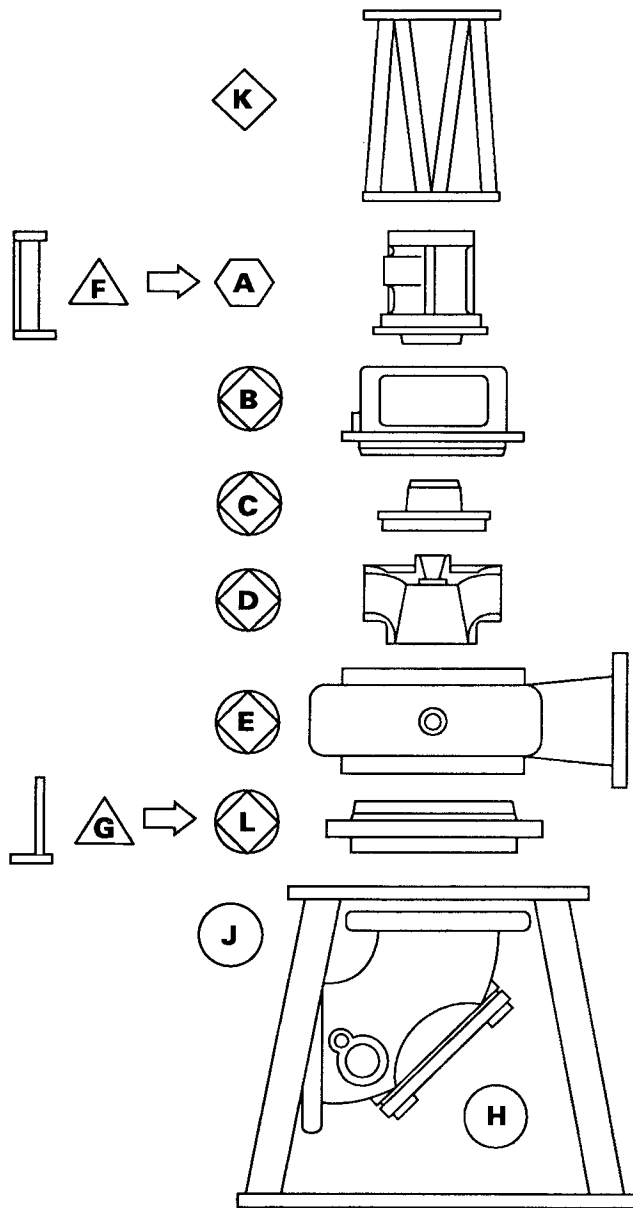


**ENGINEERING DATA**

DATED JUNE 1991

INTERCHANGEABILITY

Non-Clog pumps are designed for maximum interchangeability. All models are available in all 7 sizes, offering a model and size precisely fitted to the installation requirements over a wide range of capacities. The 7 sizes are divided into 4 "Power Frames". Within a given power frame, all parts are interchangeable except for the liquid end and supports. The chart illustrates the degree of interchangeability achieved with the standard non-clog pumps.



- Model 651A Only ..... ▲
- Model 653A Only ..... ◆
- Models 652A, 653A, & 654A ..... ○
- Models 651A, 652A, & 653A ..... ⬡
- Models 651A, 652A, 653A, & 654A ..... ⊗

	Qty
A - Power Frames .....	4
B - Brackets .....	6
C - Stuffing Boxes .....	3
D - Impellers .....	8
E - Casings .....	7
F - Mounting Feet (Rear) .....	5
G - Mounting Feet (Front) .....	4
H - Elbows .....	3
J - Bases .....	2
K - Motor Supports .....	3
L - Suction Covers .....	6

**POWER FRAME SELECTION**

PUMP SIZE	POWER FRAME	RPM			
		1750	1150	875	700
3x3x7	POWER FRAME	3C	3C		
4x4x7		3C	3C		
3x3x9		3C	3C		
4x4x9A		3C	3C	3C	
4x4x9B		4C	4C	4C	4C
4x4x12		5E	4C	4C	4C
4x6x15		5F	5E	5E	5E

# AURORA 650A SERIES ENGINEERING DATA

INTERCHANGEABILITY

