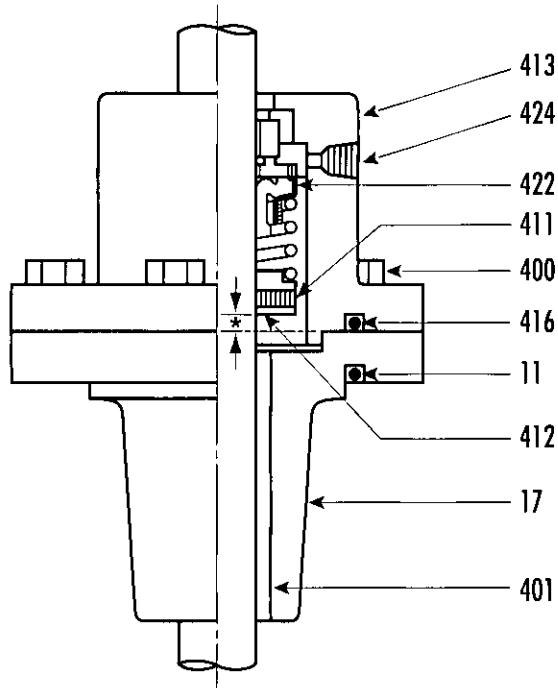


ENGINEERING data
STUFFING BOX

**CRANE TYPE 21 UNBALANCED MECHANICAL SEAL
(TYPE 2 FOR 2-3/16 AND LARGER SHAFTS)**



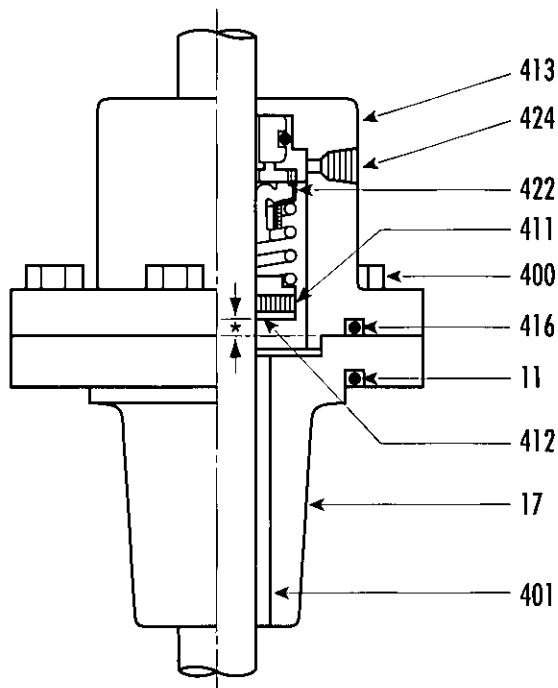
**STANDARD CUP MOUNTED
STATIONARY SET**

ITEM. NO.	PART NAME	MATERIAL	
		STD.	OPTIONAL
17A	STUFFING BOX ASSY	—	
11	O' RING BRG HSG/HD	RUBBER	
17	BEARING HOUSING	C I CL30	
400	CAPSCREW, ST BOX/HD	STEEL	
401	BEARING ST. BOX	BRONZE	
411	SET SCREW, STOP COLLAR	STN STL	
412	STOP COLLAR	STN STL	
413	END CAP	C I CL30	
416	O' RING, END CAP/BRG HSG	RUBBER	
■ 422	SEAL ASSY	—	
● 424	RELIEF PORT	—	

■ Furnished by seal manufacturer. Refer to seal manufacturer's drawing for construction details, part names, part numbers, materials and material codes. Use this information when ordering repair parts.

● Connection size.
7/8 thru 1-3/16 shafts - 3/8 NPT
1-1/2 & larger shafts - 1/2 NPT

*1/8 set dimension with shaft in running position



**OPTIONAL O' RING MOUNTED
STATIONARY SET**

ITEM. NO.	PART NAME	MATERIAL	
		STD.	OPTIONAL
17A	STUFFING BOX ASSY	—	
11	O' RING BRG HSG/HD	RUBBER	
17	BEARING HOUSING	C I CL30	
400	CAPSCREW, ST BOX/HD.	STEEL	
401	BEARING ST BOX	BRONZE	
411	SET SCREW, STOP COLLAR	STN STL	
412	STOP COLLAR	STN STL	
413	END CAP	C.I. CL30	
416	O' RING, END CAP/BRG HSG	RUBBER	
■ 422	SEAL ASSY	—	
● 424	RELIEF PORT	—	

■ Furnished by seal manufacturer. Refer to seal manufacturer's drawing for construction details, part names, part numbers, materials and material codes. Use this information when ordering repair parts.

● Connection size.
7/8 thru 1-3/16 shafts - 3/8 NPT
1-1/2 & larger shafts - 1/2 NPT

*1/8 set dimension with shaft in running position

