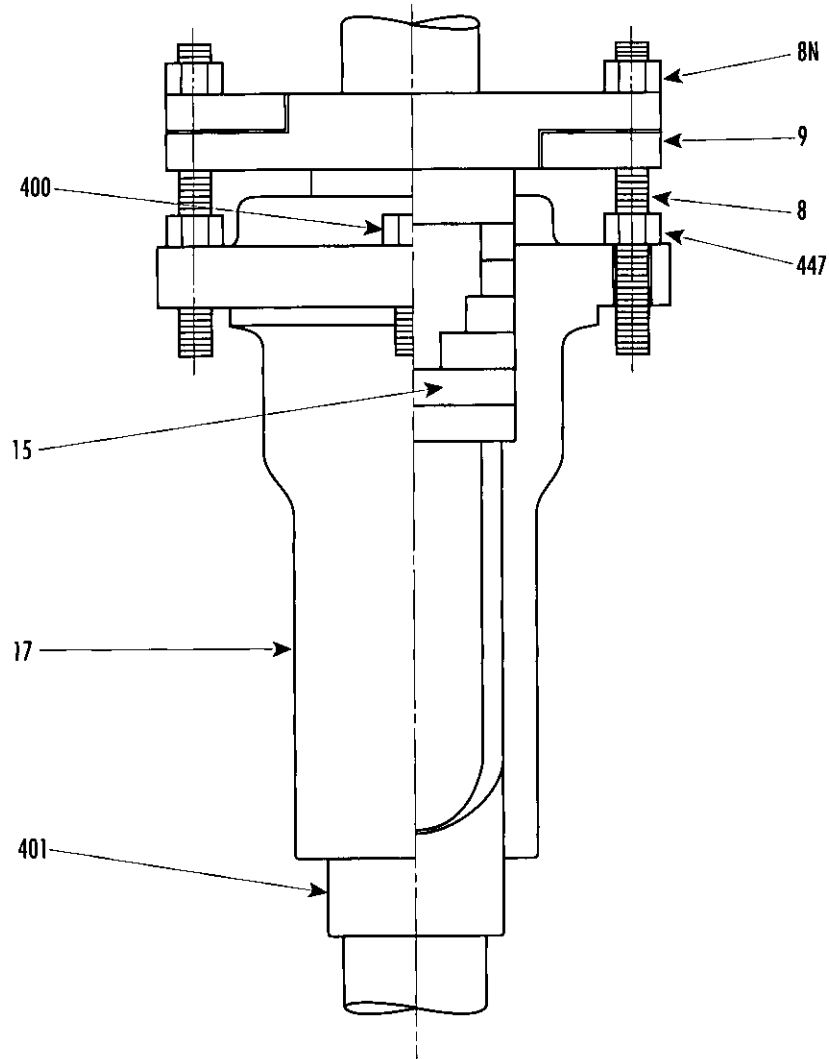


**ENGINEERING data**  
**STUFFING BOX**

**4" SBX STUFFING BOX (7/8 THRU 1-11/16 shafts)**

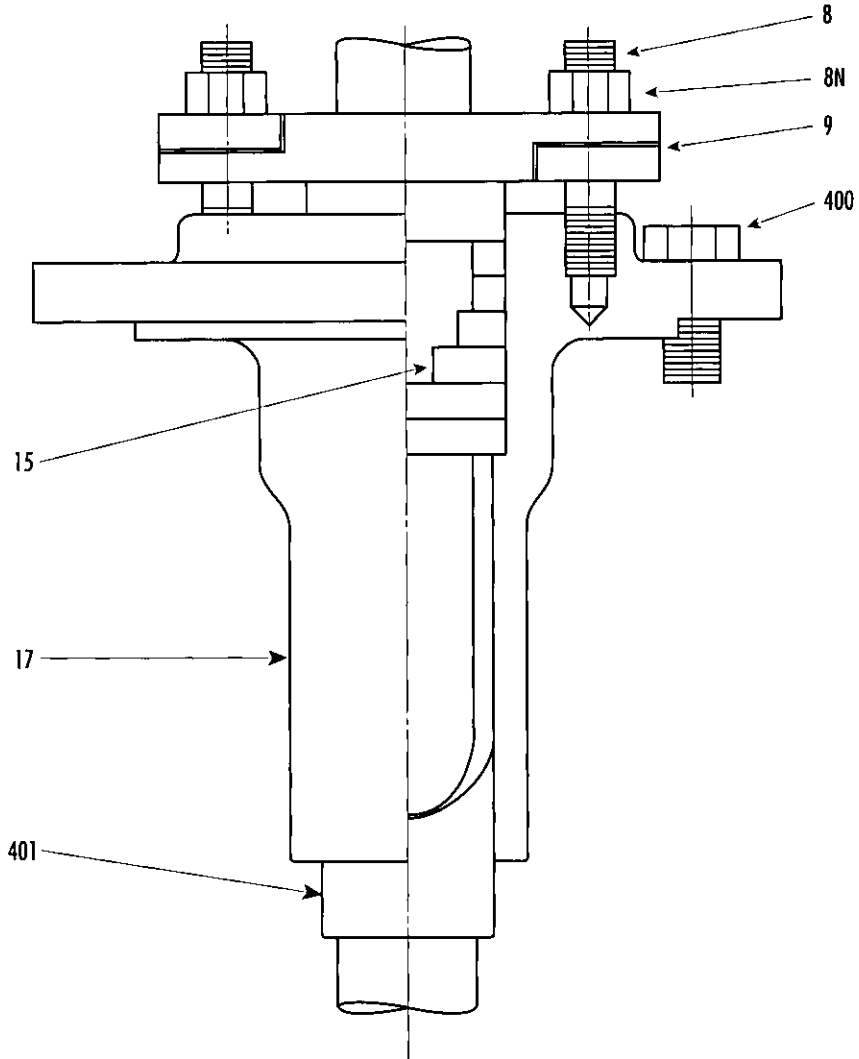


ITEM. NO.	PART NAME	MATERIAL	
		STD.	OPTIONAL
17A	STUFFING BOX ASSEMBLY	—	
8	STUD, PACKING GLAND	STN STL	
8N	HEX NUT, PACKING GLAND	BRASS	
9	PACKING GLAND, INTERLOCK	BRONZE	
15	PACKING (6 RINGS)	ACRYLIC	
17	STUFFING BOX	C.I. CI 30	
400	CAPSCREW (STUFF BOX/HEAD)	STEEL	
401	BEARING, STUFF. BOX	BRONZE	
447	HEX NUT (STUFF BOX/HEAD)	STEEL	



**ENGINEERING data**  
**STUFFING BOX**

**6" SBX STUFFING BOX (7/8 thru 1-11/16 shafts)**



ITEM. NO.	PART NAME	MATERIAL	
		STD.	OPTIONAL
17A	STUFFING BOX ASSEMBLY	—	
8	STUD, PACKING GLAND	STN STL	
8N	HEX NUT, PACKING GLAND	BRASS	
9	PACKING GLAND, INTERLOCK.	BRONZE	
15	PACKING (6 RINGS)	ACRYLIC	
17	STUFFING BOX	C.I. Cl. 30	
400	CAPSCREW (STUFF BOX/HEAD)	STEEL	
401	BEARING, STUFF BOX	BRONZE	

