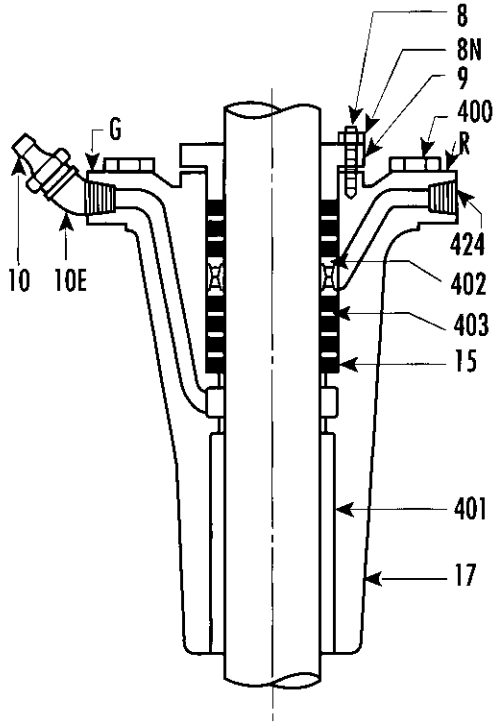


**ENGINEERING data**  
**STUFFING BOX**

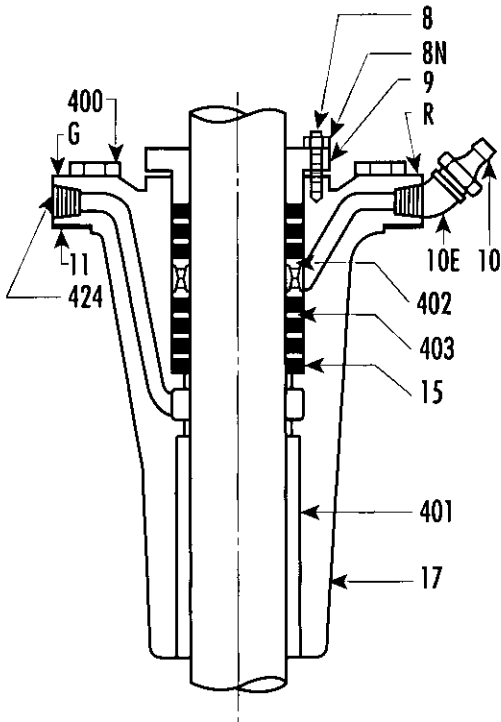
**"STB" STUFFING BOX (2-11/16 and larger shafts)**



Standard Ports

ITEM. NO.	PART NAME	MATERIAL	
		STD.	OPTIONAL
17A	STUFFING BOX ASSY	—	
8	STUD, SPLIT GLAND	STN. STL.	
8N	HEX NUT, SPLIT GLAND	BRASS	
9	SPLIT GLAND	BRONZE	
10	ALEMITE FITTING	—	
10E	STREET ELL	C I	
15	PACKING (7 RINGS)	ACRYLIC	
17	STUFFING BOX	C.I. CL30	
400	CAPSCREW, ST. BOX/HD.	STEEL	
401	BEARING, ST. BOX	BRONZE	
402	LANTERN RING	BRONZE	
403	SEPARATOR RING (5)	BRONZE	
424	RELIEF PORT, 1/4 NPT	—	
G	PORT MARKING	—	
R	PORT MARKING	—	

Max Rating Sizes. 100. PSI 231 FT/HD



Reverse Ports

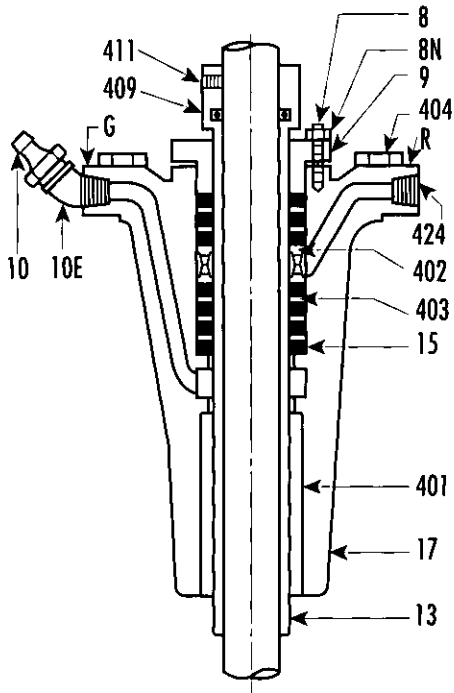
ITEM. NO.	PART NAME	MATERIAL	
		STD.	OPTIONAL
17A	STUFFING BOX ASSY	—	
8	STUD, SPLIT GLAND	STN. STL.	
8N	HEX NUT, SPLIT GLAND	BRASS	
9	SPLIT GLAND	BRONZE	
10	ALEMITE FITTING	—	
10E	STREET ELL	C I	
11	GASKET ST. BOX/HD	—	
15	PACKING (7 RINGS)	ACRYLIC	
17	STUFFING BOX	C I CL30	
400	CAPSCREW, ST. BOX/HD	STEEL	
401	BEARING, ST. BOX	BRONZE	
402	LANTERN RING	BRONZE	
403	SEPARATOR RING (5)	BRONZE	
424	RELIEF PORT, 1/4 NPT.	—	
G	PORT MARKING	—	
R	PORT MARKING	—	

Max Rating Sizes 175. PSI 410 FT/HD



**ENGINEERING data**  
**STUFFING BOX**

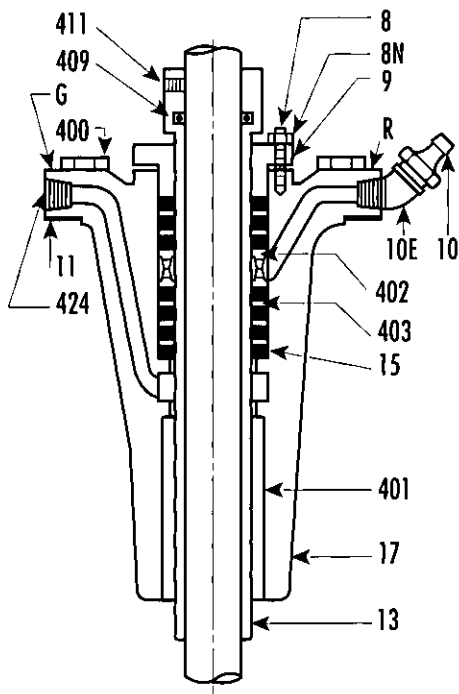
**"STB" STUFFING BOX (with O'Ring Mounted Sleeve)**  
**2-7/16 and larger shafts x 2-11/16 larger O.D. sleeves**



Standard Ports

ITEM. NO.	PART NAME	MATERIAL	
		STD.	OPTIONAL
17A	STUFFING BOX ASSY	—	
8	STUD, SPLIT GLAND	STN STL	
8N	HEX NUT, SPLIT GLAND	BRASS	
9	SPLIT GLAND	BRONZE	
10	ALEMITE FITTING	—	
10E	STREET ELL	C. I.	
15	PACKING (7 RINGS)	ACRYLIC	
17	STUFFING BOX	C. I. CL30	
400	CAPSCREW, ST. BOX/HD.	STEEL	
401	BEARING, ST. BOX	BRONZE	
402	LANTERN RING	BRONZE	
403	SEPARATOR RING (5)	BRONZE	
424	RELIEF PORT, 1/4 NPT	—	
G	PORT MARKING	—	
R	PORT MARKING	—	
13A	SLEEVE ASSY	—	
13	SLEEVE ST. BOX	316SS▲	
409	O' RING, SLEEVE	RUBBER	
411	SET SCREW, SLEEVE	STN ST	

▲ Optional Mat'l. - 316SS w/nickle chrome coating (600 Brinell hardness)  
Max. Rating Sizes 100. PSI 231 FT/HD



Reverse Ports

ITEM. NO.	PART NAME	MATERIAL	
		STD.	OPTIONAL
17A	STUFFING BOX ASSY	—	
8	STUD, SPLIT GLAND	STN STL	
8N	HEX NUT, SPLIT GLAND	BRASS	
9	SPLIT GLAND	BRONZE	
10	ALEMITE FITTING	—	
10E	STREET ELL	C. I.	
11	GASKET ST. BOX/HD	—	
15	PACKING (7 RINGS)	ACRYLIC	
17	STUFFING BOX	C. I. CL30	
400	CAPSCREW, ST. BOX/HD	STEEL	
401	BEARING, ST. BOX	BRONZE	
402	LANTERN RING	BRONZE	
403	SEPARATOR RING (5)	BRONZE	
424	RELIEF PORT, 1/4 NPT	—	
G	PORT MARKING	—	
R	PORT MARKING	—	
13A	SLEEVE ASSY	—	
13	SLEEVE ST. BOX	316SS▲	
409	O' RING, SLEEVE	RUBBER	
411	SET SCREW, SLEEVE	STN ST	

▲ Optional Mat'l. - 316SS w/nickle chrome coating (600 Brinell hardness)  
Max. Rating Sizes 150. PSI 349 FT/HD

