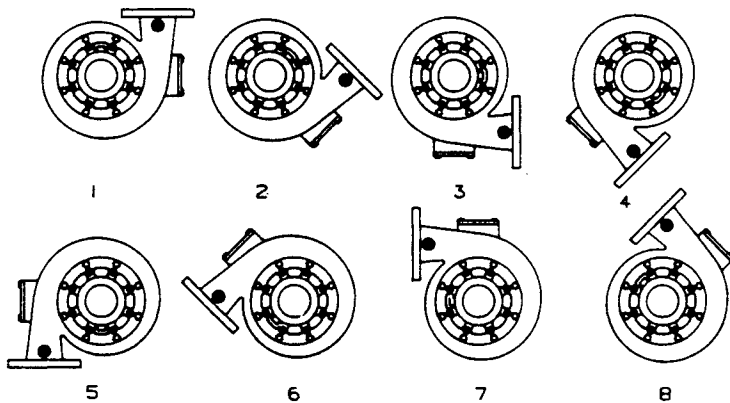
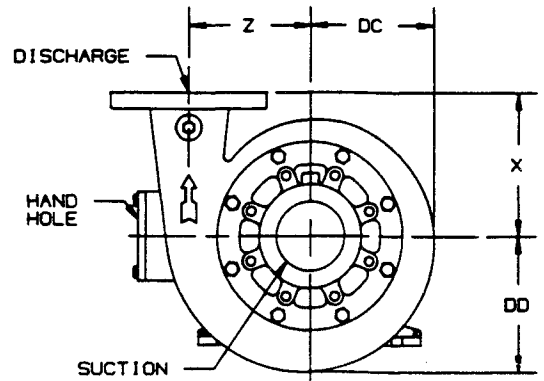
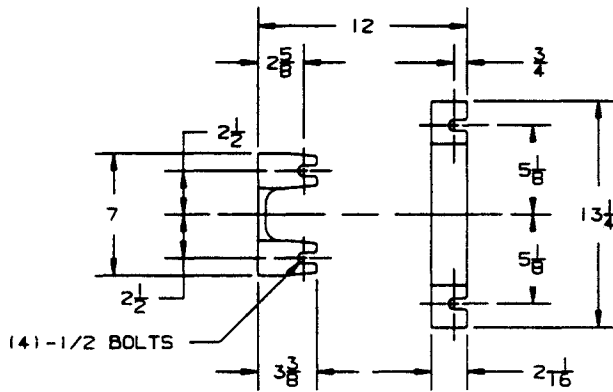
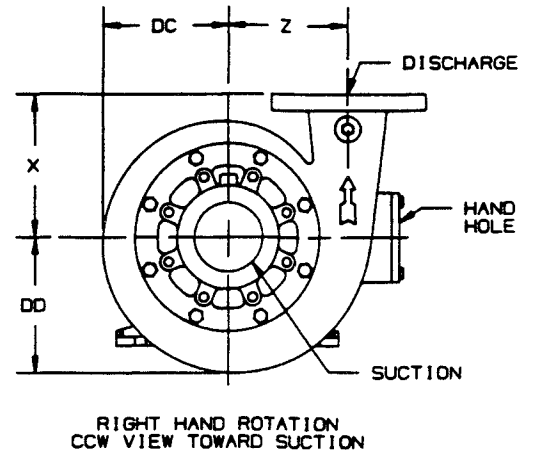
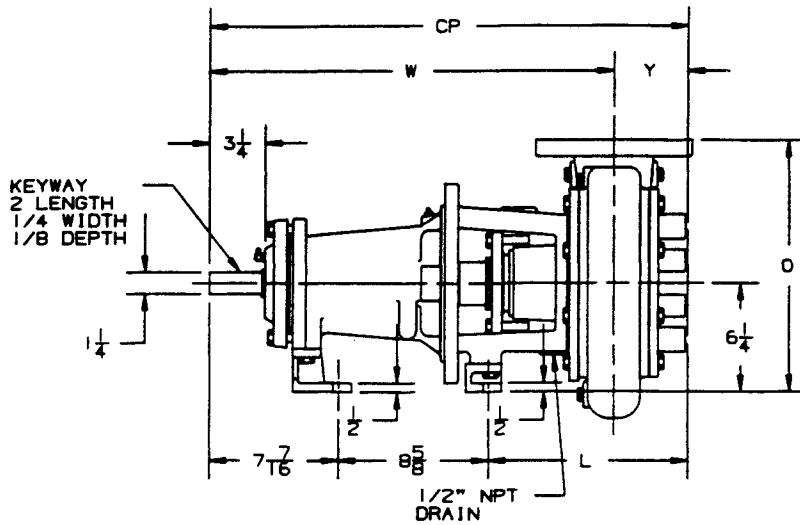


AURORA MODEL 651A PUMP POWER FRAME 3C

SECTION 650 PAGE 201
DATED NOVEMBER 1992
SUPERSEDES PAGE 201
DATED SEPTEMBER 1989



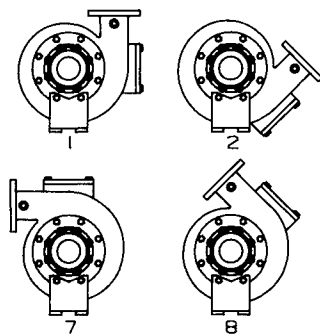
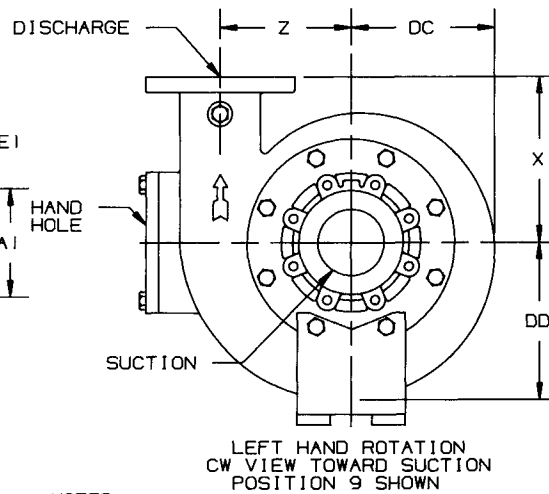
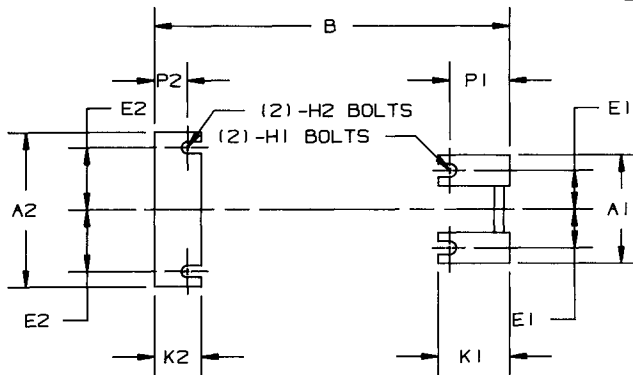
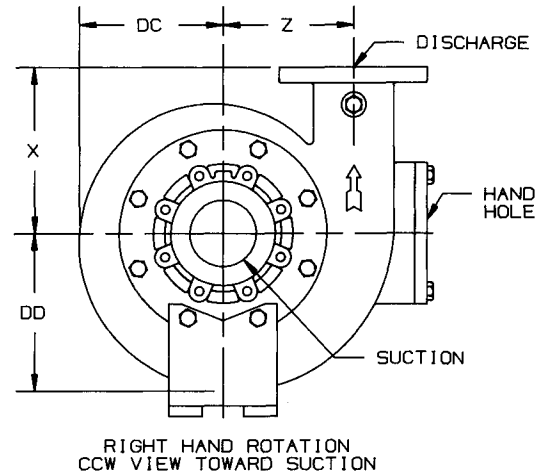
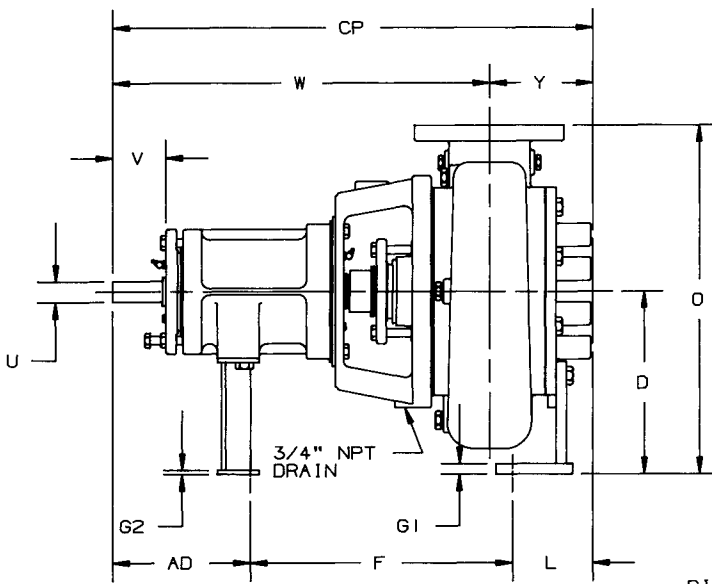
DISCHARGE POSITIONS AVAILABLE
(RIGHT HAND PUMP VIEWED FROM SUCTION END
FOR LEFT HAND POSITIONS SEE PAGE 301)

- NOTES:
1. ALL DIMENSIONS IN INCHES.
 2. DIMENSIONS MAY VARY $\pm 1/4$.
 3. NOT FOR CONSTRUCTION PURPOSES UNLESS CERTIFIED.
 4. TWO (2) 1/2" NPT CONNECTIONS 180° APART, ON THE STUFFING BOX FOR LUBRICATION PURPOSES ARE FURNISHED AS STANDARD. ON PACKED PUMPS AN ALEMITE FITTING IS PROVIDED IN ONE TAP AND THE REMAINING TAP IS PLUGGED.
 5. DISCHARGE POSITION 1 IS FURNISHED AS STANDARD UNLESS SPECIFIED.
 6. SUCTION AND DISCHARGE FLANGES ARE AMERICAN STANDARD 125 LBS.
 7. CHECK DISCHARGE POSITION, CASING DIMENSIONS WHICH EXCEED 6 1/4" MAY REQUIRE PADS FOR THE PUMP AND/OR MOTOR.
 8. 3x3x7 PUMP NOT AVAILABLE IN LEFT HAND CONFIGURATION.

DISCH SUCTION CASE BORE POWER FRAME	L	O	W	X	Y	Z	CP	DC	DD
3x3x7	10 9/16	12 1/4	23 5/8	6	3	5	26 5/8	5 1/2	6 1/8
3x3x9	11 5/16	13 1/4	23 5/16	7	4 1/16	6 1/8	27 3/8	6 5/8	7 3/16
4x4x7	12 5/16	13 1/4	23 7/8	7	4 1/2	5 3/8	28 3/8	6	6 13/16
4x4x9A	11 7/16	14 1/2	23 1/4	8 1/4	4 1/4	7 1/16	27 1/2	7 1/4	7 13/16

AURORA MODEL 651A PUMP

POWER FRAMES 4C, 5E & 5F



DISCHARGE POSITIONS AVAILABLE
 (RIGHT HAND PUMP VIEWED FROM SUCTION END
 FOR LEFT HAND POSITIONS SEE PAGE 3011)

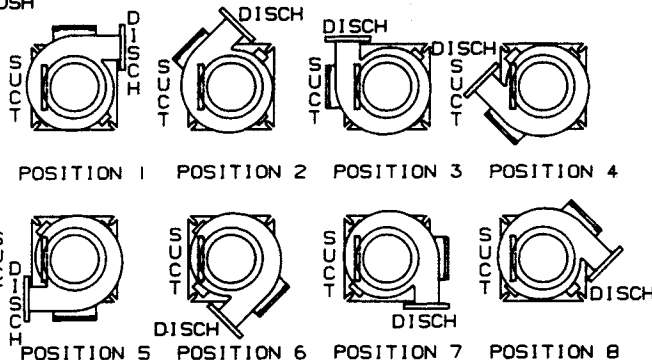
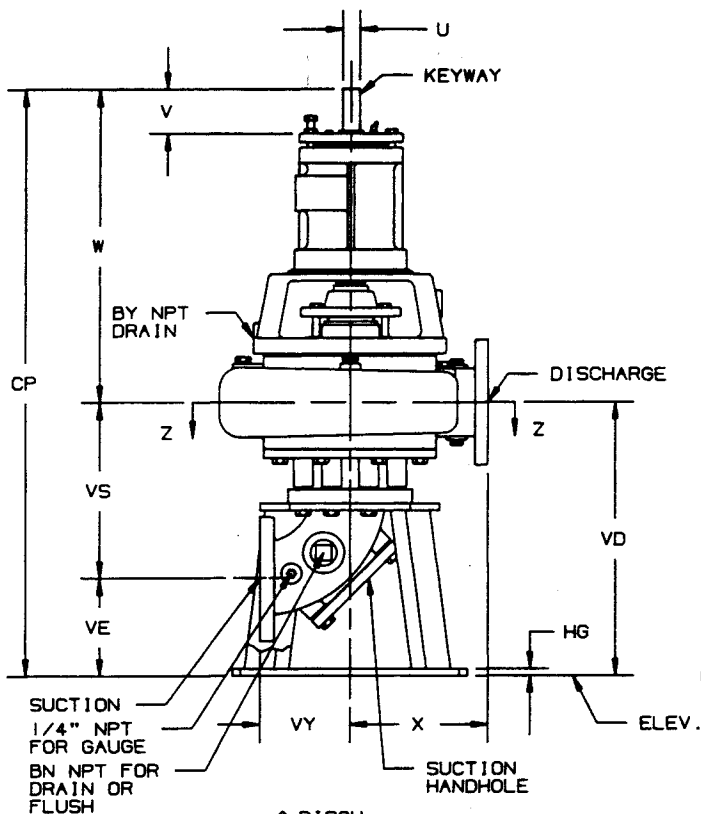
- NOTES:
1. ALL DIMENSIONS IN INCHES.
 2. DIMENSIONS MAY VARY $\pm 1/4$.
 3. NOT FOR CONSTRUCTION PURPOSES UNLESS CERTIFIED.
 4. TWO (2) 1/2" NPT CONNECTIONS 180° APART, ON THE STUFFING BOX FOR LUBRICATION PURPOSES ARE FURNISHED AS STANDARD. ON PACKED PUMPS AN ALEMITE FITTING IS PROVIDED IN ONE TAP AND THE REMAINING TAP IS PLUGGED.
 5. DISCHARGE POSITION 1 IS FURNISHED AS STANDARD UNLESS SPECIFIED.
 6. SUCTION AND DISCHARGE FLANGES ARE AMERICAN STANDARD 125 LBS.

POWER FRAME	U	V	KEYWAY		
			LENGTH	WIDTH	DEPTH
4C	1 1/4	3 3/16	2	1/4	1/8
5E, 5F	2 3/8	6 3/8	4	5/8	5/16

DISCH SUCT CASE BORE	POWER FRAME	A1	A2	B	D	E1	E2	F	G1	G2	H1	H2	K1	K2
4x4x9B	4C	6 1/2	8 1/4	21 3/8	11	2 1/4	3 1/8	15 7/8	5/8	1/4	5/8	5/8	4 5/8	2 1/2
4x4x12	4C	7	10	21 3/8	13 1/2	2 1/2	4	15 3/8	5/8	3/8	5/8	5/8	4 5/8	3
4x4x12	5E	7	10	27 5/8	13 1/2	2 1/2	3 3/4	21	5/8	3/8	3/4	3/4	4 5/8	4
4x6x15	5E, 5F	11 1/2	11	27 15/16	15 1/4	4 1/4	4 1/4	19 11/16	5/8	3/8	3/4	3/4	7	3 1/2

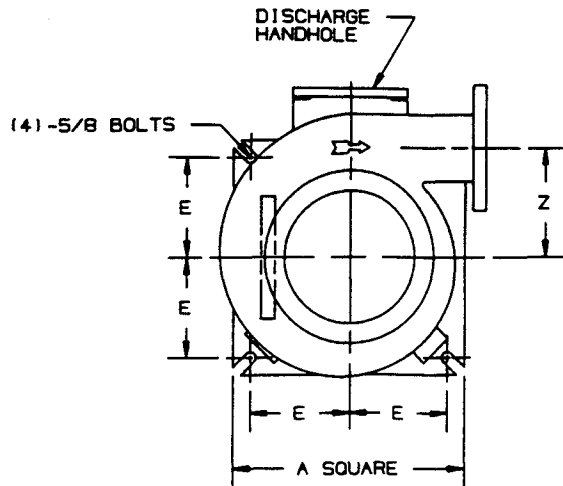
DISCH SUCT CASE BORE	POWER FRAME	L	O	P1	P2	W	X	Y	Z	AD	CP	DC	DD
4x4x9B	4C	5 1/8	21	3 7/8	1 5/8	22 11/16	10	6 3/16	7 7/8	7 7/8	28 7/8	8 15/16	9 13/16
4x4x12	4C	5 1/8	25	3 7/8	2 1/8	22 5/8	10 1/2	6 1/4	9	8 3/8	28 7/8	9 7/8	10 3/8
4x4x12	5E	5 1/8	25	3 7/8	2 3/4	33 5/8	10 1/2	6 1/4	9	13 3/4	39 7/8	9 7/8	10 3/8
4x6x15	5E, 5F	6 7/16	25 3/4	6	2 1/4	33 5/16	10 1/2	6 3/16	10 1/4	13 3/8	39 1/2	11 1/8	11 5/8

AURORA MODEL 652A PUMP

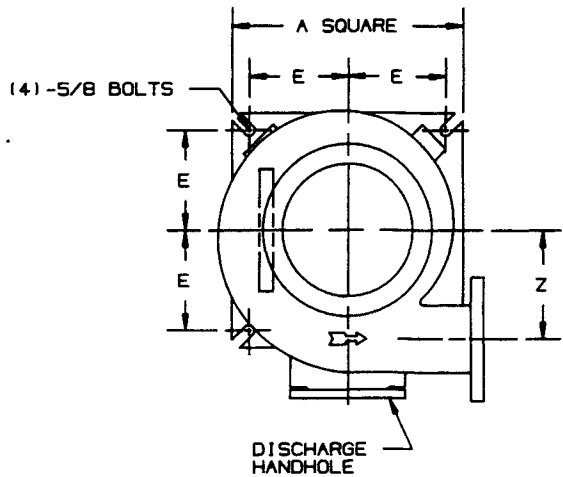


DISCHARGE POSITIONS AVAILABLE (RIGHT HAND PUMP VIEWED FROM DRIVER END FOR LEFT HAND POSITIONS SEE PAGE 302)

NOTE: PUMP SIZES 3x3x7 AND 3x3x9 DISCHARGE POSITIONS AVAILABLE ONLY IN 1, 3, 5, AND 7.



RIGHT HAND ROTATION CW VIEWED FROM DRIVER END VIEW Z-Z



LEFT HAND ROTATION CCW VIEWED FROM DRIVER END VIEW Z-Z

POSITION 9 SHOWN (FOR AVAILABLE LEFT HAND POSITIONS SEE PAGE 302)

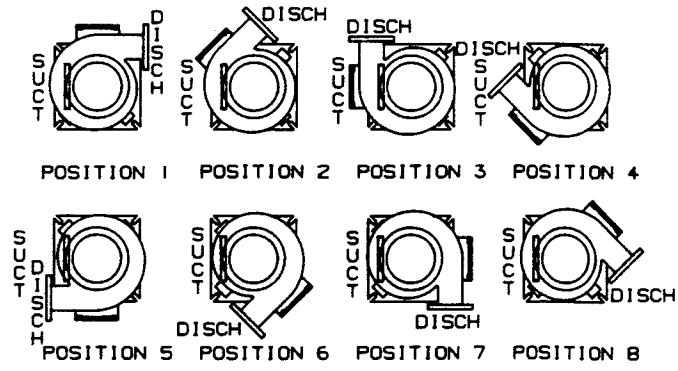
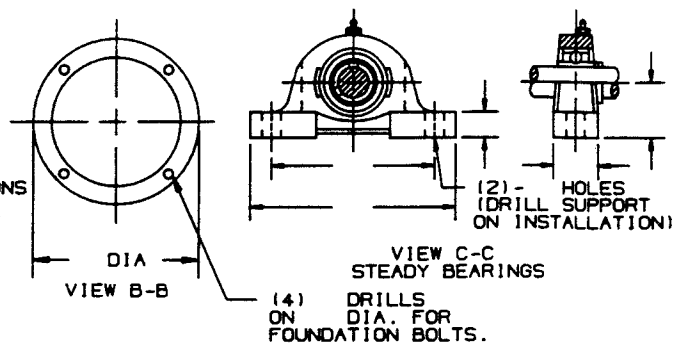
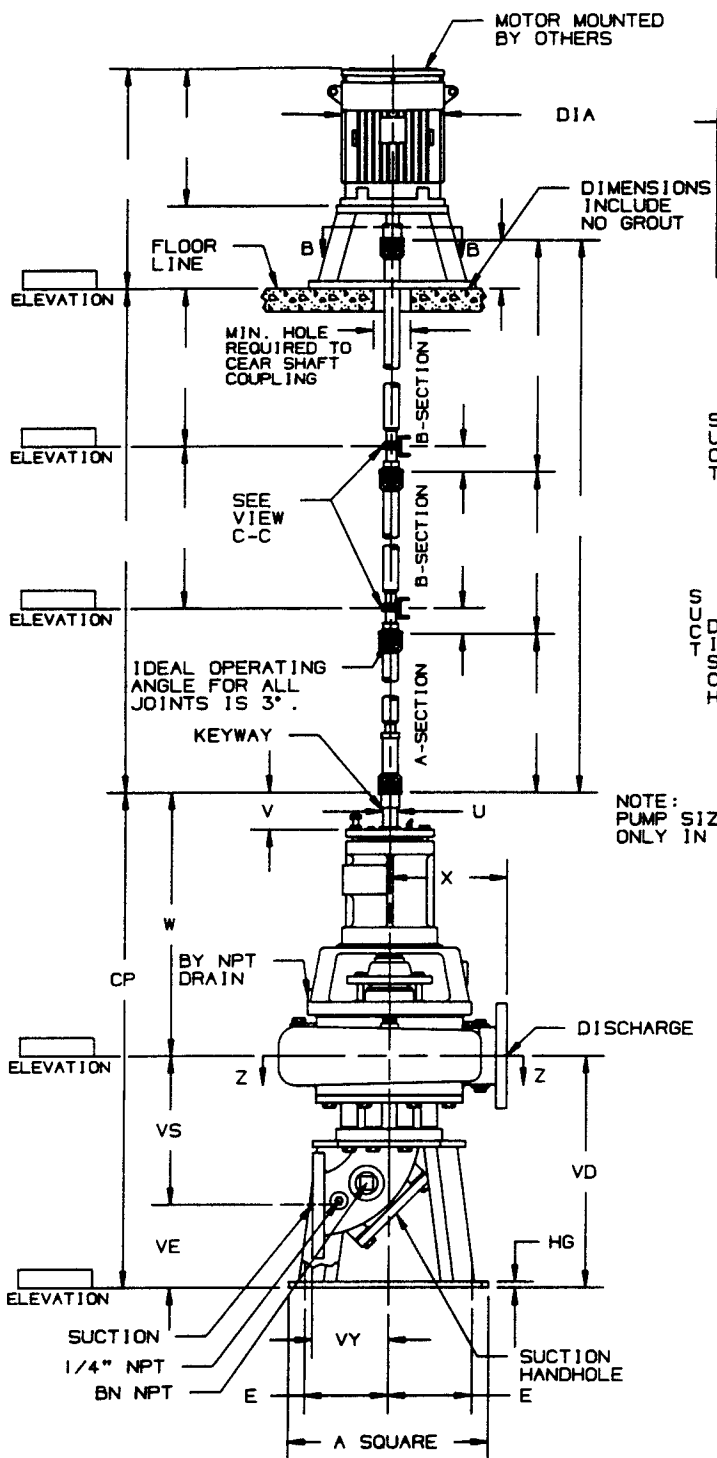
- NOTES:
1. ALL DIMENSIONS IN INCHES.
 2. DIMENSIONS MAY VARY ± 1/4".
 3. NOT FOR CONSTRUCTION PURPOSES UNLESS CERTIFIED.
 4. TWO (2) 1/2" NPT CONNECTIONS 180° APART, ON THE STUFFING BOX FOR LUBRICATION PURPOSES ARE FURNISHED AS STANDARD. ON PACKED PUMPS AN ALEMITE FITTING IS PROVIDED IN ONE TAP AND THE REMAINING TAP IS PLUGGED.
 5. DISCHARGE POSITION 1 IS FURNISHED AS STANDARD UNLESS SPECIFIED.
 6. SUCTION AND DISCHARGE FLANGES ARE AMERICAN STANDARD 125 LBS.
 7. 3x3x7 PUMP NOT AVAILABLE IN LEFT HAND CONFIGURATION.

POWER FRAME	U	V	KEYWAY		
			LENGTH	WIDTH	DEPTH
3C, 4C	1 1/4	3 3/16	2	1/4	1/8
5E, 5F	2 3/8	6 3/8	4	5/8	5/16

DISCH SUCT CASE BORE	POWER FRAME	A	BN	BY	E	HG	VY	W	X	Z	CP	VD	VE	VS
3x3x7	3C	17	1	1/2	7 1/4	1/2	6 1/2	23 5/8	6	5	39 7/8	16 1/4	6 3/4	9 1/2
3x3x9	3C	17	1	1/2	7 1/4	1/2	6 1/2	23 5/16	7	6 1/8	40 5/8	17 5/16	6 3/4	10 9/16
4x4x7	3C	17	1 1/2	1/2	7 1/4	1/2	6 1/2	23 7/8	7	5 3/8	41 7/8	18	6 15/16	11 1/16
4x4x9A	3C	17	1 1/2	1/2	7 1/4	1/2	6 1/2	23 1/4	8 1/4	7 1/16	41	17 3/4	6 15/16	10 13/16
4x4x9B	4C	17	1 1/2	3/4	7 1/4	1/2	6 1/2	22 11/16	10	7 7/8	42 3/8	19 11/16	6 15/16	12 3/4
4x4x12	4C	17	1 1/2	3/4	7 1/4	1/2	6 1/2	22 5/8	10 1/2	9	42 3/8	19 3/4	6 15/16	12 13/16
4x4x12	5E	17	1 1/2	3/4	7 1/4	1/2	6 1/2	33 5/8	10 1/2	9	53 3/8	19 3/4	6 15/16	12 13/16
4x6x15	5E, 5F	24	1 1/2	3/4	10 3/4	5/8	8	33 5/16	10 1/2	10 1/4	57 3/8	24 1/16	9 7/8	14 3/16

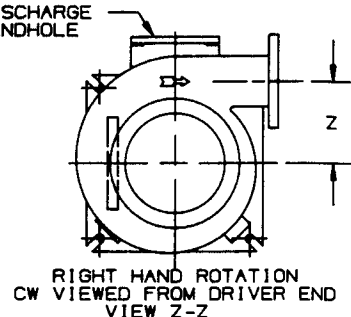
AURORA MODEL 652A PUMP

FLEXIBLE SHAFT



NOTE: PUMP SIZES 3x3x7 AND 3x3x9 DISCHARGE POSITIONS AVAILABLE ONLY IN 1, 3, 5, AND 7.

DISCHARGE POSITIONS AVAILABLE (RIGHT HAND PUMP VIEWED FROM DRIVER END FOR LEFT HAND POSITIONS SEE PAGE 302)



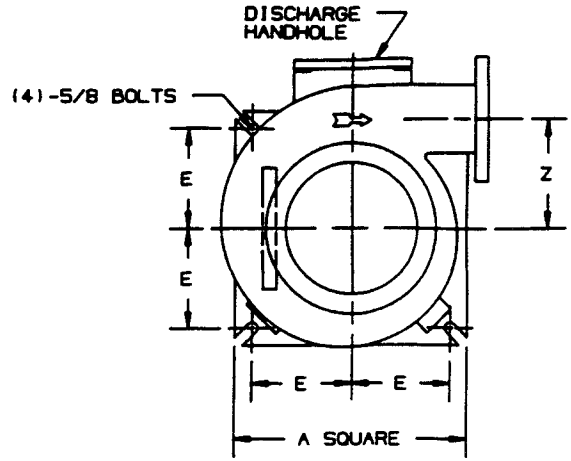
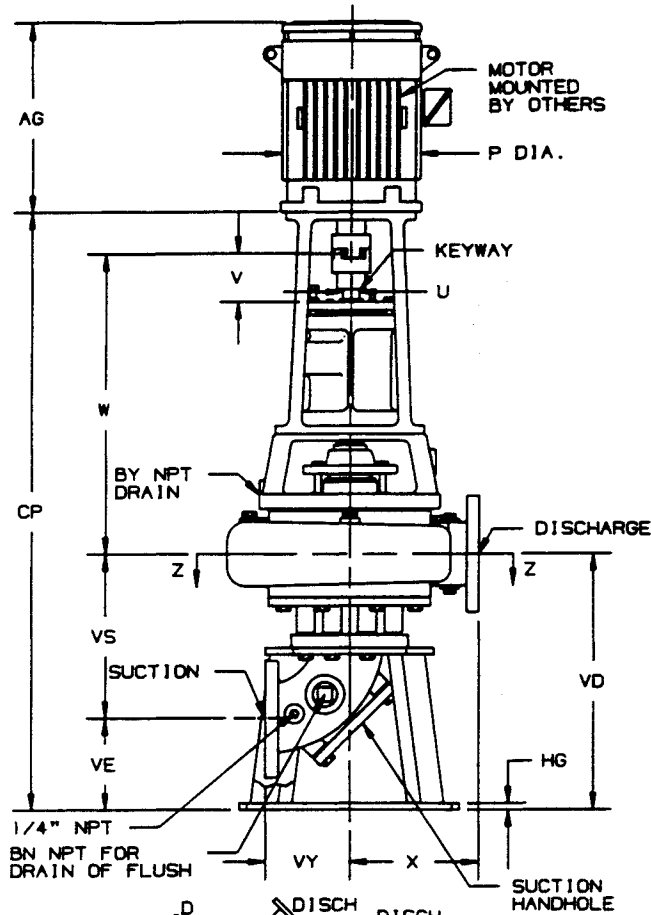
- NOTES:
- ALL DIMENSIONS IN INCHES.
 - DIMENSIONS MAY VARY ± 1/2"
 - NOT FOR CONSTRUCTION PURPOSES UNLESS CERTIFIED.
 - TWO (2) 1/2" NPT CONNECTIONS 180° APART, ON THE STUFFING BOX FOR LUBRICATION PURPOSES ARE FURNISHED AS STANDARD. ON PACKED PUMPS AN ALEMITE FITTING IS PROVIDED IN ONE TAP AND THE REMAINING TAP IS PLUGGED.
 - DISCHARGE POSITION 1 IS FURNISHED AS STANDARD UNLESS SPECIFIED.
 - SUCTION AND DISCHARGE FLANGES ARE AMERICAN STANDARD 125 LBS.
 - CONDUIT BOX IS SHOWN IS APPROXIMATE LOCATION. DIMENSIONS ARE NOT SPECIFIED AS THEY MAY VARY WITH EACH MOTOR MANUFACTURER.
 - 3x3x7 PUMP NOT AVAILABLE IN LEFT HAND CONFIGURATION.

DISCH SUUCT BORE	POWER FRAME	A	BN	BY	E	HG	VE	VS	VY	W	X	Z	CP	VD	VE	VS
3x3x7	3C	17	1	1/2	7 1/4	1/2	6 1/2	23 5/8	6	5	39 7/8	16 1/4	6 3/4	9 1/2		
3x3x9	3C	17	1	1/2	7 1/4	1/2	6 1/2	23 5/16	7	6 1/8	40 5/8	17 5/16	6 3/4	10 9/16		
4x4x7	3C	17	1 1/2	1/2	7 1/4	1/2	6 1/2	23 7/8	7	5 3/8	41 7/8	18	6 15/16	11 1/16		
4x4x9A	3C	17	1 1/2	1/2	7 1/4	1/2	6 1/2	23 1/4	8 1/4	7 1/16	41	17 3/4	6 15/16	10 13/16		
4x4x9B	4C	17	1 1/2	3/4	7 1/4	1/2	6 1/2	22 11/16	10	7 7/8	42 3/8	19 11/16	6 15/16	12 3/4		
4x4x12	4C	17	1 1/2	3/4	7 1/4	1/2	6 1/2	22 5/8	9	10 1/2	42 3/8	19 3/4	6 15/16	12 13/16		
4x4x12	5E	17	1 1/2	3/4	7 1/4	1/2	6 1/2	33 5/8	10 1/2	9	53 3/8	19 3/4	6 15/16	12 13/16		
4x6x15	5E, 5F	24	1 1/2	3/4	10 3/4	5/8	8	33 5/16	10 1/2	10 1/4	57 3/8	24 1/16	9 7/8	14 3/16		

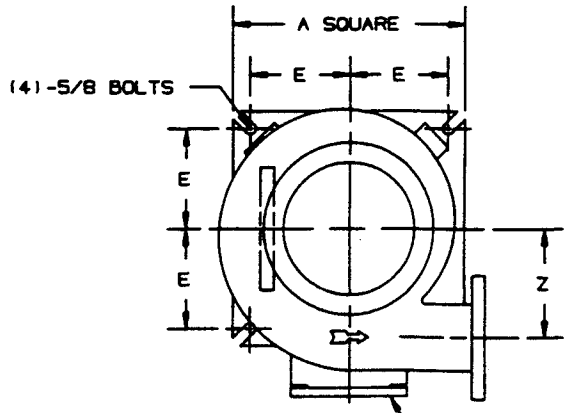
POWER FRAME	U	V	KEYWAY		
			LENGTH	WIDTH	DEPTH
3C, 4C	1 1/4	3 3/16	2	1/4	1/8
5E, 5F	2 3/8	6 3/8	4	5/8	5/16

AURORA MODEL 653A PUMP

SECTION 650 PAGE 205
 DATED NOVEMBER 1992
 SUPERSEDES PAGE 205
 DATED SEPTEMBER 1989

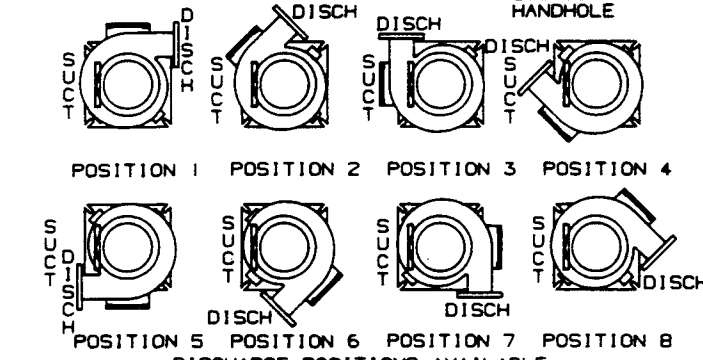


RIGHT HAND ROTATION
 CW VIEWED FROM DRIVER END
 VIEW Z-Z



LEFT HAND ROTATION
 CCW VIEWED FROM DRIVER END
 VIEW Z-Z

POSITION 9 SHOWN
 (FOR AVAILABLE LEFT HAND
 POSITIONS SEE PAGE 302)



DISCHARGE POSITIONS AVAILABLE
 (RIGHT HAND PUMP VIEWED FROM DRIVER END
 FOR LEFT HAND POSITIONS SEE PAGE 302)

NOTE:
 PUMP SIZE 3x3x7 AND 3x3x9 DISCHARGE POSITIONS AVAILABLE
 ONLY IN 1, 3, 5, AND 7.

- NOTES:
1. ALL DIMENSIONS IN INCHES.
 2. DIMENSIONS MAY VARY ± 1/4".
 3. NOT FOR CONSTRUCTION PURPOSES UNLESS CERTIFIED.
 4. TWO (2) 1/2" NPT CONNECTIONS 180° APART, ON THE STUFFING BOX FOR LUBRICATION PURPOSES ARE FURNISHED AS STANDARD. ON PACKED PUMPS AN ALEMITE FITTING IS PROVIDED IN ONE TAP AND THE REMAINING TAP IS PLUGGED.
 5. DISCHARGE POSITION 1 IS FURNISHED AS STANDARD UNLESS SPECIFIED.
 6. SUCTION AND DISCHARGE FLANGES ARE AMERICAN STANDARD 125 LBS.
 7. 3x3x7 PUMP NOT AVAILABLE IN LEFT HAND CONFIGURATION.

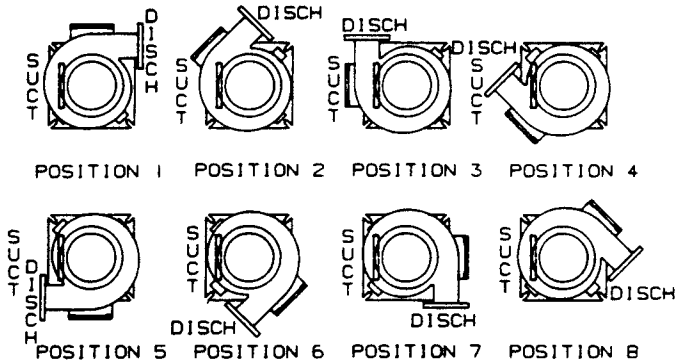
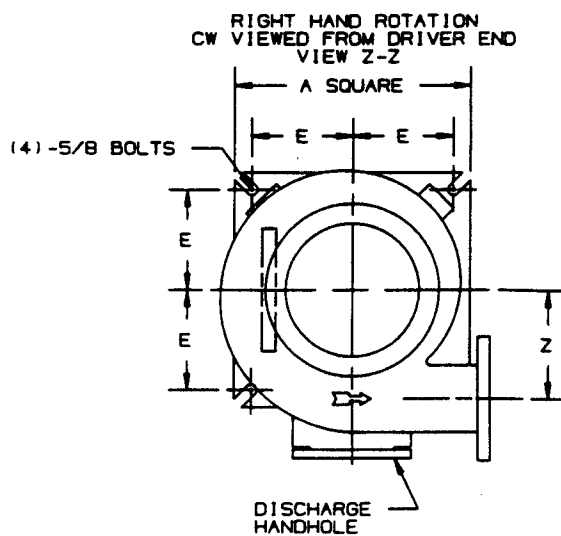
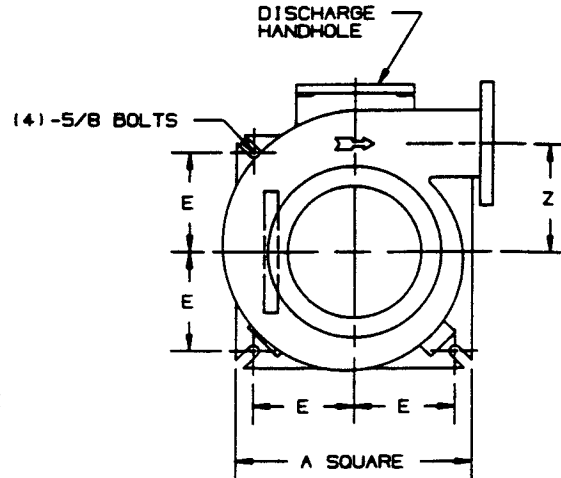
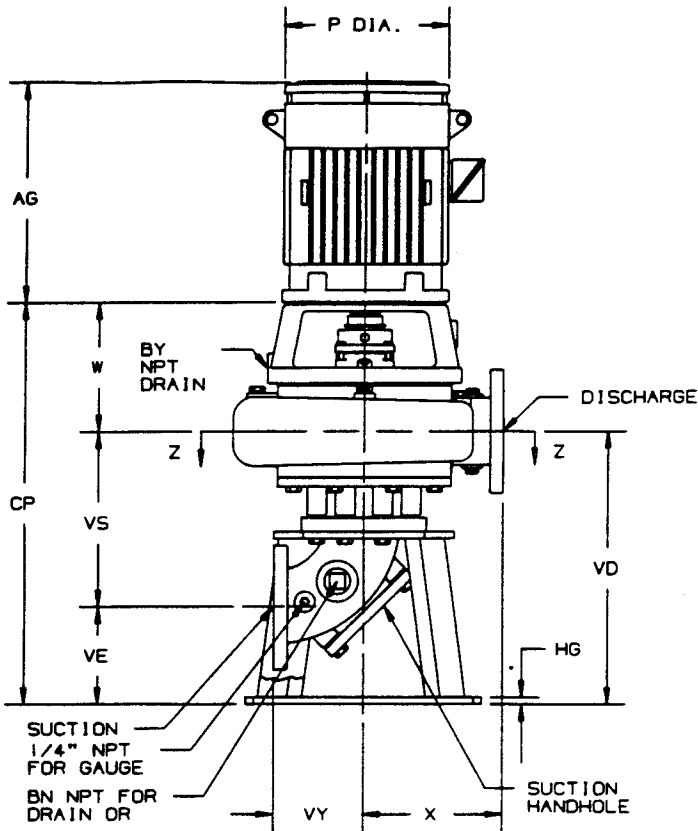
POWER FRAME	U	V	KEYWAY			P APPROX.	AG APPROX.	MOTOR FRAME											
			LENGTH	WIDTH	DEPTH			143HP TO 145HP	182HP TO 184HP	213HP TO 215HP	254HP TO 256HP	284HP TO 286HP	324HP TO 326HP	364HP TO 365HP	404HP TO 405HP				
3C, 4C	1 1/4	3 3/16	2	1/4	1/8	8	10	11	13	16	18	20	21	22	23	25	26	25	28
5E, 5F	2 3/8	6 3/8	4	5/8	5/16	11	12	13	14	16	18	20	21	22	23	25	26	25	28

DISCH SUCT CASE BORE	POWER FRAME	A	BN	BY	E	HG	VY	W	X	Z	CP	VD	VE	VS
3x3x7	3C	17	1	1/2	7 1/4	1/2	6 1/2	23 5/8	6	5	43 1/2	16 1/4	6 3/4	9 1/2
3x3x9	3C	17	1	1/2	7 1/4	1/2	6 1/2	23 5/16	7	6 1/8	44 1/4	17 5/16	6 3/4	10 9/16
4x4x7	3C	17	1 1/2	1/2	7 1/4	1/2	6 1/2	23 7/8	7	5 3/8	45 1/2	18	6 15/16	11 1/16
4x4x9A	3C	17	1 1/2	1/2	7 1/4	1/2	6 1/2	23 1/4	8 1/4	7 1/16	44 5/8	17 3/4	6 15/16	10 13/16
4x4x9B	4C	17	1 1/2	3/4	7 1/4	1/2	6 1/2	22 11/16	10	7 7/8	46 1/8	19 11/16	6 15/16	12 3/4
4x4x12	4C	17	1 1/2	3/4	7 1/4	1/2	6 1/2	22 5/8	10 1/2	9	46 1/8	19 3/4	6 15/16	12 13/16
4x4x12	5E	17	1 1/2	3/4	7 1/4	1/2	6 1/2	33 5/8	10 1/2	9	58 7/8	19 3/4	6 15/16	12 13/16
4x6x15	5E, 5F	24	1 1/2	3/4	10 3/4	5/8	8	33 5/16	10 1/2	10 1/4	62 7/8	24 1/16	9 7/8	14 3/16



ADD 3/4" TO CP FOR PUMPS ON P.F. 4C WITH MOTOR FRAMES 284HPH TO 324HP. SUBTRACT 2" FROM CP FOR PUMPS ON P.F. 5E AND 5F WITH MOTOR FRAMES SMALLER THAN 284HPH.

AURORA MODEL 654A PUMP



DISCHARGE POSITIONS AVAILABLE
 (RIGHT HAND PUMP VIEWED FROM DRIVER END
 FOR LEFT HAND POSITIONS SEE PAGE 302)

NOTE:
 PUMP SIZES 3x3x7 AND 3x3x9 DISCHARGE POSITIONS AVAILABLE
 ONLY IN 1, 3, 5, AND 7.

MOTOR FRAME	143TCV TO 145TCV	182TCV TO 184TCV	213TCV TO 215TCV	254TCV TO 256TCV	284TCV TO 286TCV	324TCV TO 326TCV	364TCV TO 365TCV	404TCV TO 405TCV
P APPROX.	8	10	11	13	16	18	21	22
AG APPROX.	11 12	13 14	16 18	20 21	22 23	25 26	25	28

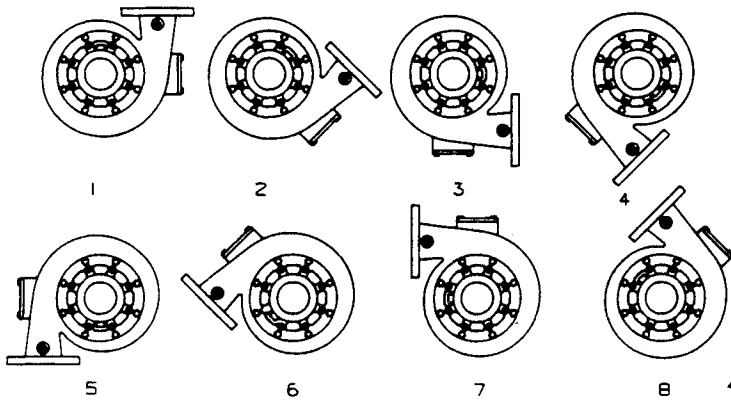
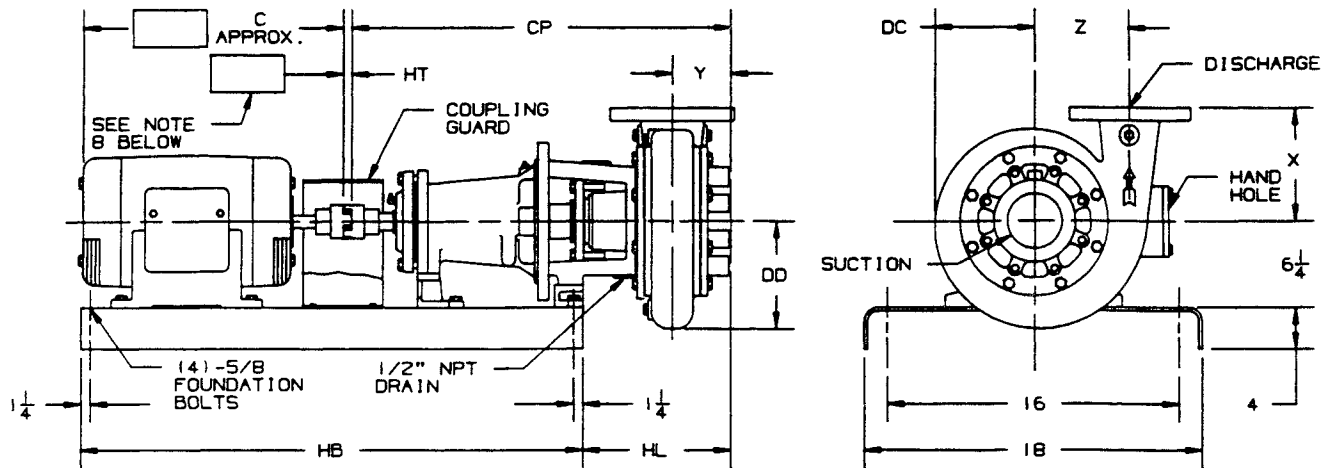
- NOTES:
- ALL DIMENSIONS IN INCHES.
 - DIMENSIONS MAY VARY $\pm 1/4"$.
 - NOT FOR CONSTRUCTION PURPOSES UNLESS CERTIFIED.
 - TWO (2) 1/2" NPT CONNECTIONS 180° APART, ON THE STUFFING BOX FOR LUBRICATION PURPOSES ARE FURNISHED AS STANDARD.
 - DISCHARGE POSITION 1 IS FURNISHED AS STANDARD UNLESS SPECIFIED.
 - SUCTION AND DISCHARGE FLANGES ARE AMERICAN STANDARD 125 LBS.
 - HEIGHT (AG) AND DIAMETERS (P) DIMENSIONS OF MOTOR WILL VARY BASED ON MAKE AND STYLE OF MOTOR. DIMENSIONS SHOWN REFLECT AURORA STANDARD MOTORS. SEE INDIVIDUAL MOTOR SUPPLIER DIMENSIONAL DATA SHEETS FOR YOUR APPLICATION. CONDUIT BOX IS SHOWN IN APPROXIMATE LOCATION. DIMENSIONS ARE NOT SPECIFIED AS THEY VARY WITH EACH MOTOR MANUFACTURER.
 - 3x3x7 PUMP NOT AVAILABLE IN LEFT HAND CONFIGURATION.

DISCH SUCT CASE BORE MOTOR SHAFT EXT. TYPE	A	BN	BY	E	HG	VY	W	X	Z	CP	VD	VE	VS
3x3x7 3C, 4C	17	1	1/2	7 1/4	1/2	6 1/2	10 5/16	6	5	26 9/16	16 1/4	6 3/4	9 1/2
3x3x9 3C, 4C	17	1	1/2	7 1/4	1/2	6 1/2	10	7	6 1/8	27 5/16	17 5/16	6 3/4	10 9/16
4x4x7 3C, 4C	17	1 1/2	1/2	7 1/4	1/2	6 1/2	10 9/16	7	5 3/8	28 9/16	18	6 15/16	11 1/16
4x4x9A 3C, 4C	17	1 1/2	1/2	7 1/4	1/2	6 1/2	9 15/16	8 1/4	7 1/16	27 11/16	17 3/4	6 15/16	10 13/16
4x4x9B 3C, 4C	17	1 1/2	3/4	7 1/4	1/2	6 1/2	9 1/2	10	7 7/8	29 3/16	19 11/16	6 15/16	12 3/4
4x4x12 3C, 4C	17	1 1/2	3/4	7 1/4	1/2	6 1/2	9 7/16	10 1/2	9	29 3/16	19 3/4	6 15/16	12 13/16
4x4x12 5E, 5F	17	1 1/2	3/4	7 1/4	1/2	6 1/2	10 5/8	10 1/2	9	30 3/8	19 3/4	6 15/16	12 13/16
4x6x15 5E, 5F	24	1 1/2	3/4	10 3/4	5/8	8	10 5/16	10 1/2	10 1/4	34 3/8	24 1/16	9 7/8	14 3/16

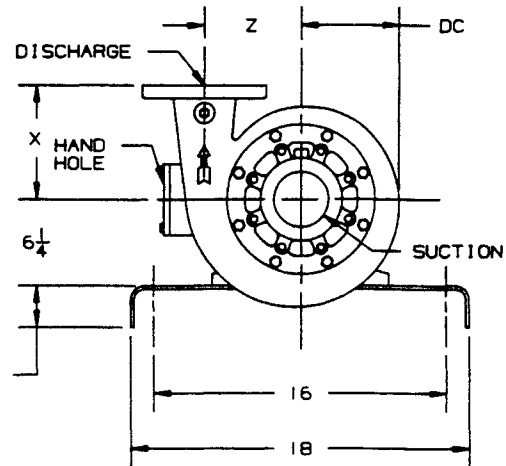
AURORA MODEL 651A PUMP

POWER FRAME 3C FORMED STEEL BASE

SECTION 650 PAGE 251
DATED NOVEMBER 1992
SUPERSEDES PAGE 251
DATED SEPTEMBER 1989



DISCHARGE POSITIONS AVAILABLE
(RIGHT HAND PUMP VIEWED FROM SUCTION END
FOR LEFT HAND POSITIONS SEE PAGE 301)



LEFT HAND ROTATION
CW VIEW TOWARD SUCTION
POSITION 9 SHOWN
(FOR AVAILABLE LEFT HAND
POSITIONS SEE PAGE 301)

NOTES:

1. ALL DIMENSIONS IN INCHES.
2. DIMENSIONS MAY VARY $\pm 1/4$ ".
3. NOT FOR CONSTRUCTION PURPOSES UNLESS CERTIFIED.
4. TWO (2) 1/2" NPT CONNECTIONS 180° APART, ON THE STUFFING BOX FOR LUBRICATION PURPOSES ARE FURNISHED AS STANDARD. ON PACKED PUMPS AN ALEMITE FITTING IS PROVIDED IN ONE TAP AND THE REMAINING TAP IS PLUGGED.
5. DISCHARGE POSITION 1 IS FURNISHED AS STANDARD UNLESS SPECIFIED.
6. SUCTION AND DISCHARGE FLANGES ARE AMERICAN STANDARD 125 LBS.
7. CONDUIT BOX IS SHOWN IS APPROXIMATE LOCATION. DIMENSIONS ARE NOT SPECIFIED AS THEY MAY VARY WITH EACH MOTOR MANUFACTURER.
8. STANDARD COUPLING ILLUSTRATED. "HT" DIMENSION MAY VARY 1/8" TO 1". SPACER COUPLING "HT" DIMENSION IS 3 1/2".
9. 3x3x7 PUMP NOT AVAILABLE IN LEFT HAND CONFIGURATION.

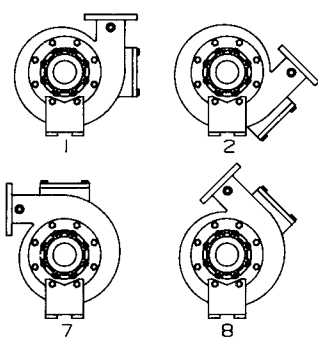
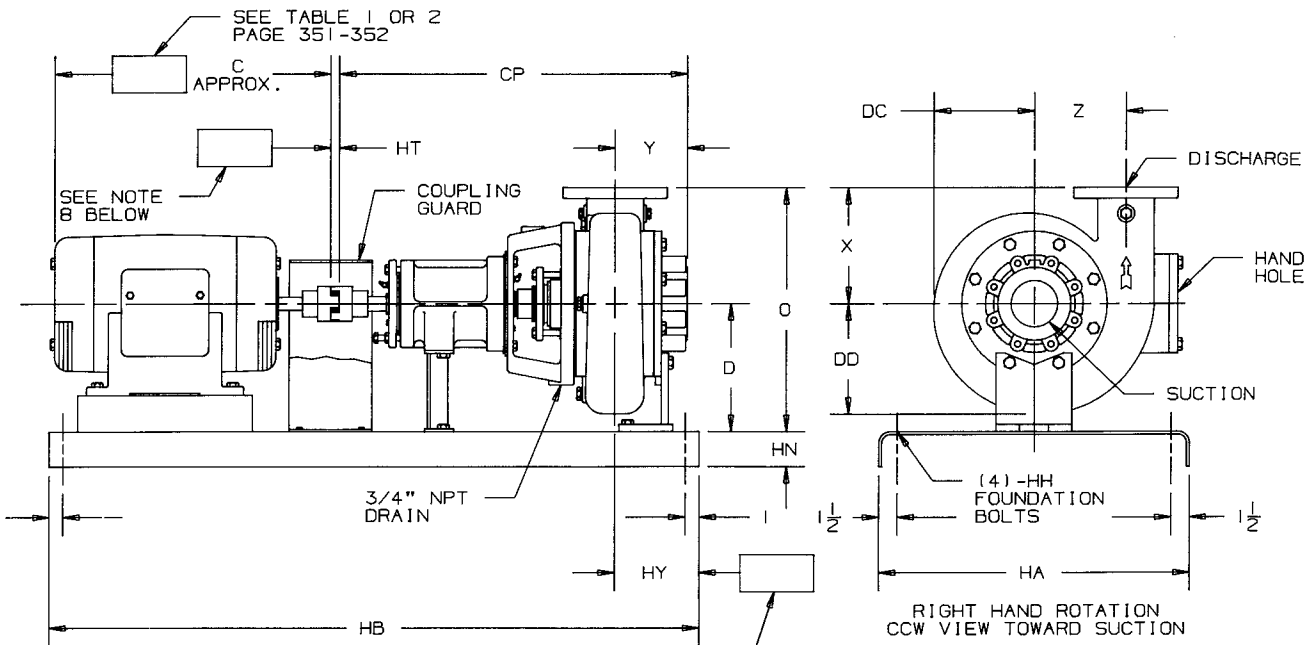
MOTOR FRAME	C APPROX.	HB	
		STD. CPLG.	SPCR. CPLG.
56	12	38	38
143T	11	38	38
145T	12	38	38
182T	13	38	38
184T	14	38	38
213T	16	38	38
215T	18	38	38
254T	21	38	42

DISCH SUCTION CORE POWER FRAME	HL	X	Y	Z	CP	DC	DD	
3x3x7	3C	9 13/16	6	3	5	26 5/8	5 1/2	6 1/8
3x3x9	3C	10 9/16	7	4 1/16	6 1/8	27 3/8	6 5/8	7 3/16
4x4x7	3C	11 9/16	7	4 1/2	5 3/8	28 3/8	6	6 13/16
4x4x9A	3C	10 11/16	8 1/4	4 1/4	7 1/16	27 1/2	7 1/4	7 13/16

AURORA MODEL 651A PUMP

POWER FRAMES 4C, 5E & 5F

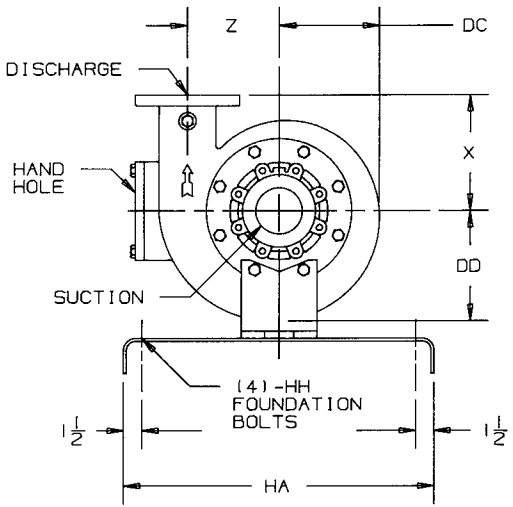
FORMED STEEL BASE



DISCHARGE POSITIONS AVAILABLE
 (RIGHT HAND PUMP VIEWED FROM SUCTION END
 FOR LEFT HAND POSITIONS SEE PAGE 301)

NOTES:

1. ALL DIMENSIONS IN INCHES.
2. DIMENSIONS MAY VARY ± 1/4".
3. NOT FOR CONSTRUCTION PURPOSES UNLESS CERTIFIED.
4. TWO (2) 1/2" NPT CONNECTIONS 180° APART, ON THE STUFFING BOX FOR LUBRICATION PURPOSES ARE FURNISHED AS STANDARD. ON PACKED PUMPS AN ALEMITE FITTING IS PROVIDED IN ONE TAP AND THE REMAINING TAP IS PLUGGED.
5. DISCHARGE POSITION 1 IS FURNISHED AS STANDARD UNLESS SPECIFIED.
6. SUCTION AND DISCHARGE FLANGES ARE AMERICAN STANDARD 125 LBS.
7. CONDUIT BOX IS SHOWN IS APPROXIMATE LOCATION. DIMENSIONS ARE NOT SPECIFIED AS THEY MAY VARY WITH EACH MOTOR MANUFACTURER.
8. STANDARD COUPLING ILLUSTRATED. "HT" DIMENSION 1" MAXIMUM. FOR SPACER COUPLING SIZE AND "HT" DIMENSION REFER TO PAGE 353 (TABLE 3).



RIGHT HAND ROTATION
 CCW VIEW TOWARD SUCTION

LEFT HAND ROTATION
 CW VIEW TOWARD SUCTION
 POSITION 9 SHOWN
 (FOR AVAILABLE LEFT HAND POSITIONS SEE PAGE 301)

BASE	HA	HB	HH	HN
2	15	48	5/8	3 3/8
3	15	54	5/8	3 3/8
4	15	60	5/8	3 3/8
5	15	64	5/8	3 3/8
6	15	70	5/8	3 3/8
8	18	68	5/8	4
9	18	76	5/8	4
16	22	72	5/8	4
17	22	84	5/8	4

DISCH SUCT CASE CODE	POWER FRAME	D	O	X	Y	Z	CP	DC	DD
4x4x9B	4C	11	21	10	6 3/16	7 7/8	28 7/8	8 15/16	9 13/16
4x4x12	4C	13 1/2	25	10 1/2	6 1/4	9	28 7/8	9 7/8	10 3/8
4x4x12	5E	13 1/2	25	10 1/2	6 1/4	9	39 7/8	9 7/8	10 3/8
4x6x15	5E, 5F	15 1/4	25 3/4	10 1/2	6 3/16	10 1/4	39 1/2	11 1/8	11 5/8

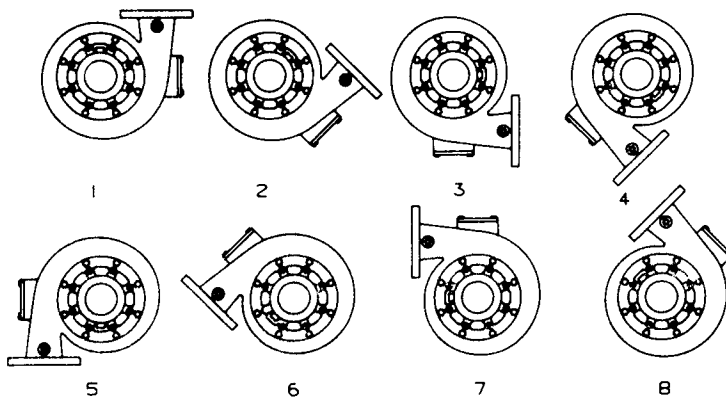
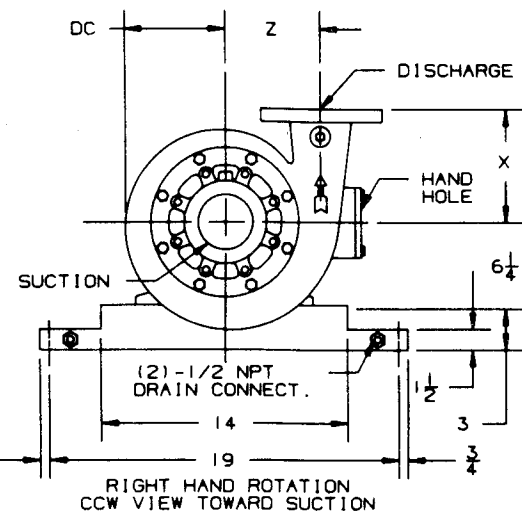
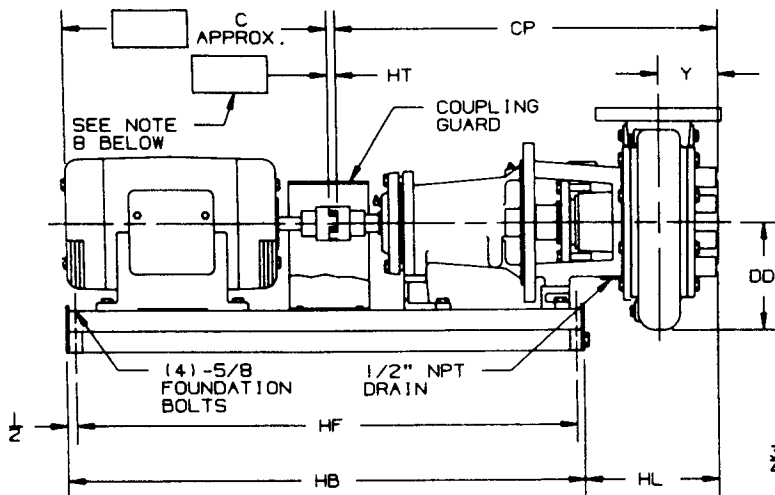
AURORA MODEL 651A PUMP

SECTION 650 PAGE 253

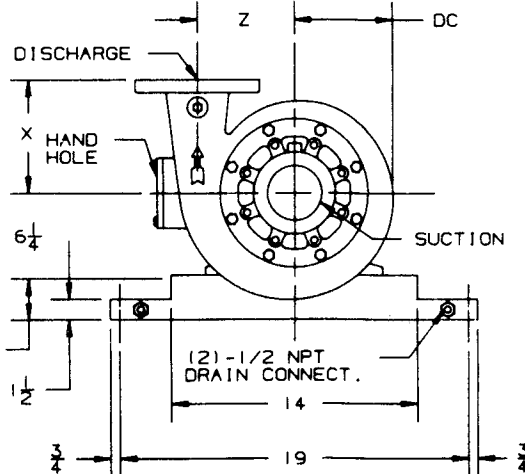
POWER FRAME 3C DRIP RIM STEEL BASE

DATED MARCH 1992

SUPERSEDES PAGE 253
DATED SEPTEMBER 1989



DISCHARGE POSITIONS AVAILABLE
(RIGHT HAND PUMP VIEWED FROM SUCTION END
FOR LEFT HAND POSITIONS SEE PAGE 3011)



- NOTES:
1. ALL DIMENSIONS IN INCHES.
 2. DIMENSIONS MAY VARY $\pm 1/4"$.
 3. NOT FOR CONSTRUCTION PURPOSES UNLESS CERTIFIED.
 4. TWO (2) 1/2" NPT CONNECTIONS 180° APART, ON THE STUFFING BOX FOR LUBRICATION PURPOSES ARE FURNISHED AS STANDARD. ON PACKED PUMPS AN ALEMITE FITTING IS PROVIDED IN ONE TAP AND THE REMAINING TAP IS PLUGGED.
 5. DISCHARGE POSITION 1 IS FURNISHED AS STANDARD UNLESS SPECIFIED.
 6. SUCTION AND DISCHARGE FLANGES ARE AMERICAN STANDARD 125 LBS.
 7. CONDUIT BOX IS SHOWN IS APPROXIMATE LOCATION. DIMENSIONS ARE NOT SPECIFIED AS THEY MAY VARY WITH EACH MOTOR MANUFACTURER.
 8. STANDARD COUPLING ILLUSTRATED. "HT" DIMENSION MAY VARY 1/8" TO 1". SPACER COUPLING "HT" DIMENSION IS 3 1/2".
 9. 3x3x7 PUMP NOT AVAILABLE IN LEFT HAND CONFIGURATION.

BASE SIZE	HB	HF	
7	14x36	36 1/2	35
8	14x46	42 1/2	41

MOTOR FRAME	C APPROX.	BASE	
		STD. CPLG.	SPCR. CPLG.
56	12	7	7
143T	11	7	7
145T	12	7	7
182T	13	7	7
184T	14	7	7
213T	16	7	7
215T	18	7	8
254T	21	8	8

DISCH SUCT CASE BORE	POWER FRAME	HL	X	Y	Z	CP	DC	DD
3x3x7	3C	9 5/16	6	3	5	26 5/8	5 1/2	6 1/8
3x3x9	3C	10 1/4	7	4 1/16	6 1/8	28 3/8	6 5/8	7 3/16
4x4x7	3C	11 1/16	7	4 1/2	5 3/8	28 3/8	6	6 13/16
4x4x9A	3C	10 3/16	8 1/4	4 1/4	7 1/16	27 1/2	7 1/4	7 13/16

SECTION 650 PAGE 254 — AURORA MODEL 651A PUMP

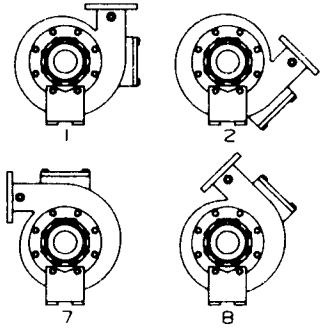
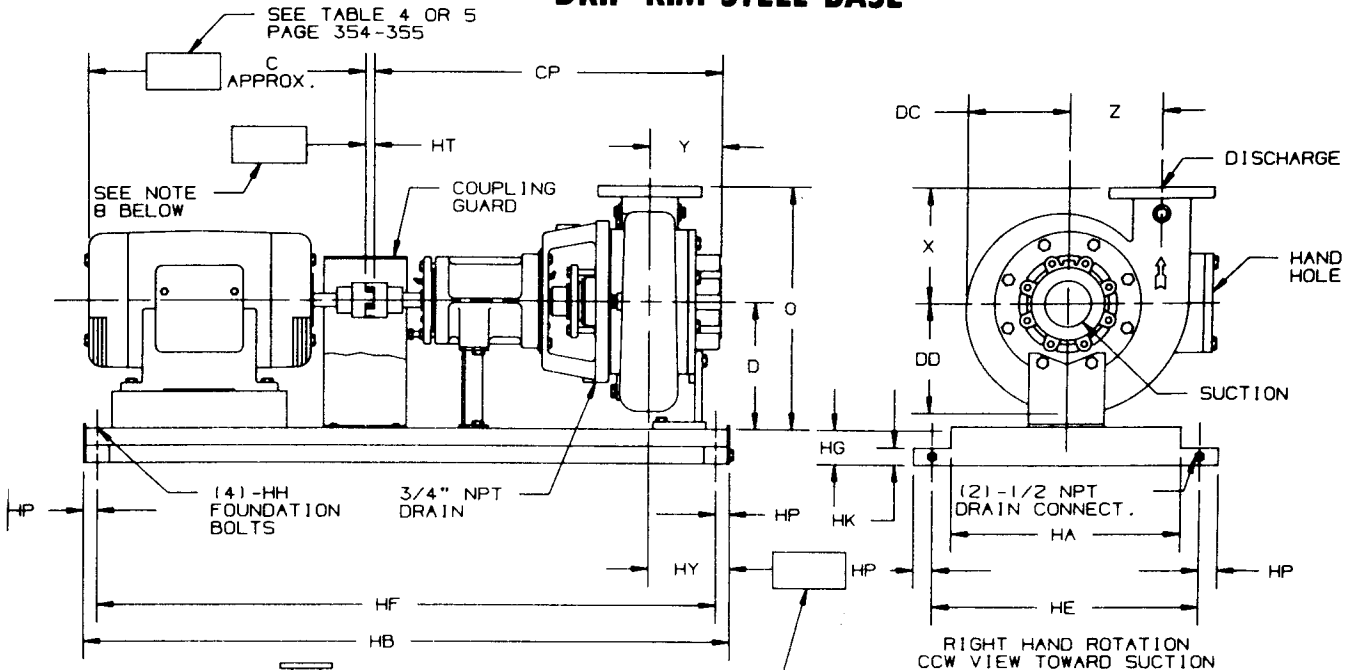
DATED NOVEMBER 1996

SUPERSEDES PAGE 254

DATED MARCH 1992

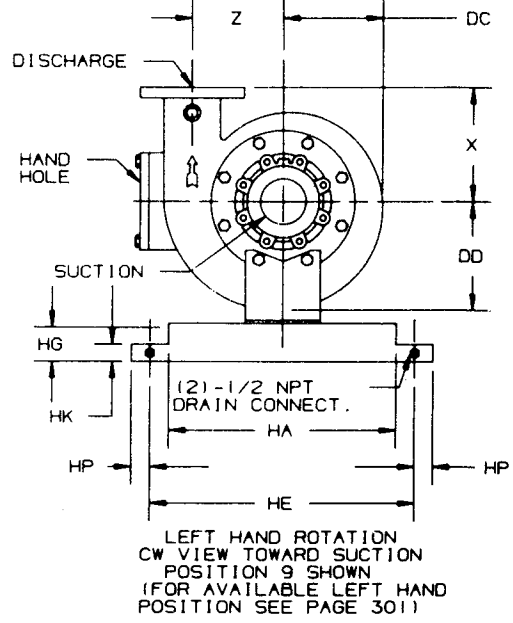
POWER FRAMES 4C, 5E & 5F

DRIP RIM STEEL BASE



DISCHARGE POSITIONS AVAILABLE
(RIGHT HAND PUMP VIEWED FROM SUCTION END
FOR LEFT HAND POSITIONS SEE PAGE 301)

SEE TABLE 4 OR 5
PAGE 354-355



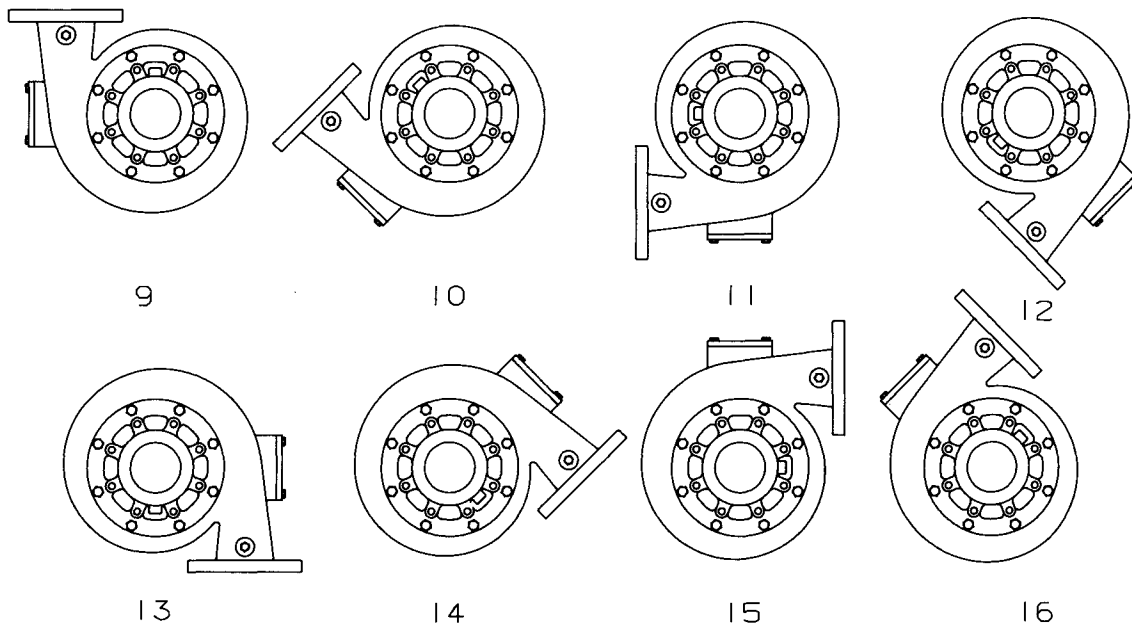
- NOTES:
1. ALL DIMENSIONS IN INCHES.
 2. DIMENSIONS MAY VARY $\pm 1/4$ ".
 3. NOT FOR CONSTRUCTION PURPOSES UNLESS CERTIFIED.
 4. TWO (2) 1/2" NPT CONNECTIONS 180° APART, ON THE STUFFING BOX FOR LUBRICATION PURPOSES ARE FURNISHED AS STANDARD. ON PACKED PUMPS AN ALEMITE FITTING IS PROVIDED IN ONE TAP AND THE REMAINING TAP IS PLUGGED.
 5. DISCHARGE POSITION 1 IS FURNISHED AS STANDARD UNLESS SPECIFIED.
 6. SUCTION AND DISCHARGE FLANGES ARE AMERICAN STANDARD 125 LBS.
 7. CONDUIT BOX IS SHOWN IS APPROXIMATE LOCATION. DIMENSIONS ARE NOT SPECIFIED AS THEY MAY VARY WITH EACH MOTOR MANUFACTURER.
 8. STANDARD COUPLING ILLUSTRATED. "HT" DIMENSION 1" MAXIMUM. FOR SPACER COUPLING SIZE AND "HT" DIMENSION REFER TO PAGE 353 (TABLE 3).
 9. 3 GROUT HOLES ARE PROVIDED IN TOP OF BASE.

BASE	SIZE	HA	HB	HE	HF	HG	HH	HK	HP
9	14x48	14	48 1/2	19	47	3	5/8	1 1/2	3/4
10	14x56	14	56 1/2	19	55	3	5/8	1 1/2	3/4
13	18x64	18	64 1/2	25 1/8	62 7/8	4	3/4	2	13/16
14	18x72	18	72 1/2	25 1/8	70 7/8	4	3/4	2	13/16
17	22x74	22	74 1/2	29 1/8	72 7/8	4 1/2	3/4	2	13/16
18	22x82	22	82 1/2	29 1/8	80 7/8	4 1/2	3/4	2	13/16

DISCH SUCT CASE BORE	POWER FRAME	D	O	X	Y	Z	CP	DC	DD
4x4x9B	4C	11	21	10	6 3/16	7 7/8	28 7/8	8 15/16	9 13/16
4x4x12	4C	13 1/2	25	10 1/2	6 1/4	9	28 7/8	9 7/8	10 3/8
4x4x12	5E	13 1/2	25	10 1/2	6 1/4	9	39 7/8	9 7/8	10 3/8
4x6x15	5E, 5F	15 1/4	25 3/4	10 1/2	6 3/16	10 1/4	39 1/2	11 1/8	11 5/8

LEFT HAND DISCHARGE POSITIONS

3 x 3 x 9, 4 x 4 x 7 AND 4 x 4 x 9A ONLY

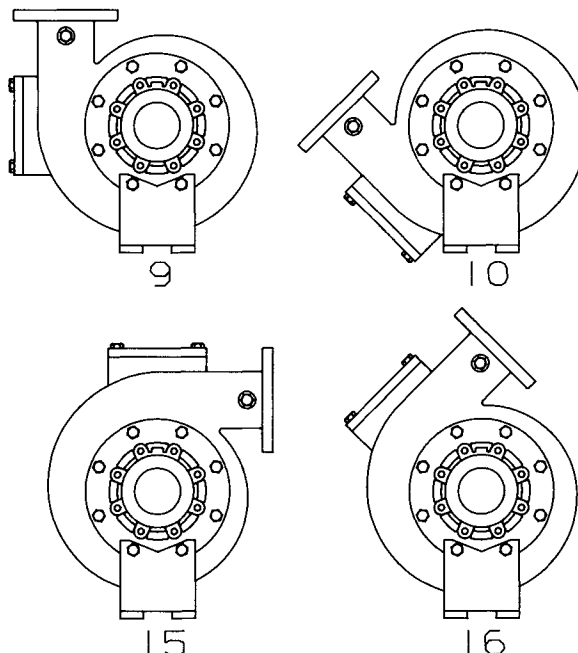


DISCHARGE POSITIONS AVAILABLE
(LEFT HAND PUMP VIEWED FROM SUCTION END)

NOTES:

1. THIS PAGE IS FOR LEFT HAND DISCHARGE POSITIONS; FOR RIGHT HAND POSITIONS REFER TO INDIVIDUAL DIMENSION PAGES.
2. THE 3x3x7 PUMP IS NOT AVAILABLE IN LEFT HAND CONFIGURATION.
3. THE ABOVE EIGHT POSITIONS ARE ONLY AVAILABLE ON THE FOLLOWING PUMPS: 3x3x9, 4x4x7, AND 4x4x9A.
4. THE BELOW FOUR POSITIONS ARE THE ONLY AVAILABLE POSITIONS ON THE FOLLOWING PUMPS: 4x4x9B, 4x4x12, AND 4x6x15.

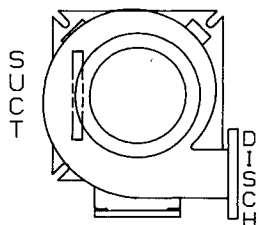
4 x 4 x 9B, 4 x 4 x 12 AND 4 x 6 x 15 ONLY



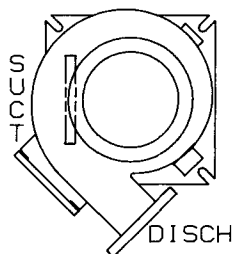
DISCHARGE POSITIONS AVAILABLE
(LEFT HAND PUMP VIEWED FROM SUCTION END)

AURORA MODEL 652A, 653A, 654A PUMP

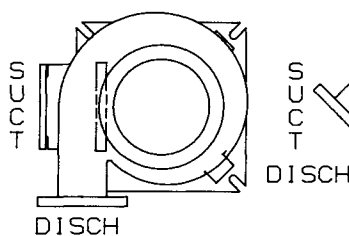
LEFT HAND DISCHARGE POSITIONS



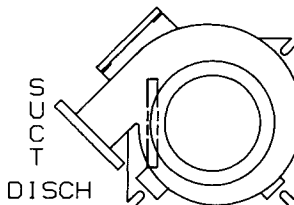
POSITION 9



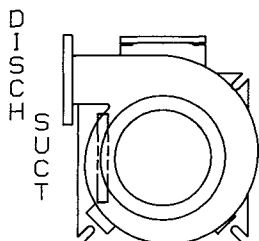
POSITION 10



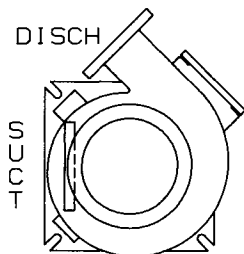
POSITION 11



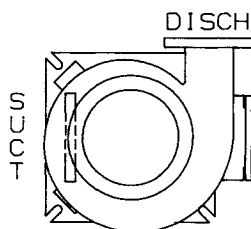
POSITION 12



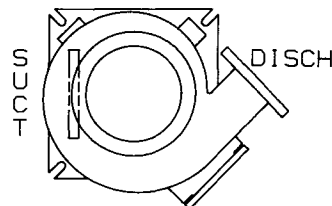
POSITION 13



POSITION 14



POSITION 15



POSITION 16

DISCHARGE POSITIONS AVAILABLE
(LEFT HAND PUMP VIEWED FROM DRIVER END)

NOTES:

1. THIS PAGE IS FOR LEFT HAND DISCHARGE POSITIONS; FOR RIGHT HAND POSITIONS REFER TO INDIVIDUAL DIMENSION PAGES.
2. THE 3x3x7 PUMP IS NOT AVAILABLE IN LEFT HAND CONFIGURATION.
3. THE 3x3x9 PUMP IS AVAILABLE ONLY IN POSITIONS 9, 11, 13, AND 15.

AURORA MODEL 651A PUMP

FORMED STEEL BASE SPACER COUPLING

TABLE 2

CASE BORE SUCT. DISCH.	POWER SERIES	MOTOR FRAME	182T	184T	213T	215T	254T	256T	284TS	284T	286TS	286T	324TS	324T	326TS	326T	364TS	364T	365TS	365T
4x4x9B	4	C	13	14	16	18	21	23	22	24	24	25	25	26	26	27	29	28	30	30
4x4x12	4	BASE	2	2	3	3	4	4	4	4	4	4								
4x4x12	5	HY	8	8	8	8	8	8	8	8	8	8								
4x4x12	5	BASE	2	2	3	3	4	4	4	4	4	4								
4x4x12	5	HY	8	8	8	8	8	8	8	8	8	8								
4x6x15	5	BASE			5	5	6	6	6	6	6	6	9	9	9	9	17	17	17	17
4x6x15	5	HY			8	8	8	8	8	8	8	8	8	8	8	8	8	8	8	8

CASE BORE SUCT. DISCH.	POWER SERIES	MOTOR FRAME	404TS	404T	405TS	405T	444TS	444T
4x6x15	5	C	30	33	31	34	34	38
4x6x15	5	BASE	17	17	17	17	17	17
4x6x15	5	HY	8	8	8	8	8	8

NOTES:
 1: DIMENSIONS IN INCHES.
 2: ALL FOR CONSTRUCTION PURPOSES UNLESS CERTIFIED.

AURORA MODEL 651A PUMP SPACER COUPLINGS

TABLE 3

CASE BORE SUCT. DISCH.	POWER SERIES	MOTOR FRAME		184T	213T	215T	254T	256T	284T	286T	324T	326T	364TS	364T	365TS	365T	404T	405TS	405T	444T	
		SIZE	HT																		
4x4x9B	4	182T	6	6	6	6	7	8	8												
			5	5	5	5	5	5	5												
4x4x12	4	182T	6	6	6	6	7	8	8												
			5	5	5	5	5	5	5												
4x4x12	5	182T					9	9	9	9	9	10									
								5	5	5	5	5									
4x6x15	5	182T					9	9	9	9	10	10	12	10	12	12	12	12	12	12	12
								7	7	7	7	7	7	7	7	7	7	7	7	7	7

NOTES:
 1. ALL DIMENSIONS IN INCHES.
 2. NOT FOR CONSTRUCTION PURPOSES UNLESS CERTIFIED.
 3. SIZE: COUPLING SIZE FOR TYPE SC WOODS SURE-FLEX SPACER COUPLINGS.
 4. HT: COUPLING GAP (DISTANCE BETWEEN SHAFTS)

AURORA MODEL 651A PUMP

DRIP RIM STEEL BASE STANDARD COUPLING

TABLE 4

DISCH. SUCT.	CASE BOOR RIM	POWER SERIES	MOTOR FRAME	184T	213T	215T	254T	256T	284TS	284T	286TS	286T	324TS	324T	326TS	326T	364TS	364T	365TS	365T
4x4x9B		4	C	13	14	16	18	21	23	10	10	10	25	25	26	28	27	29	28	30
4x4x12		4	BASE	9	9	9	9	10	10	10	10	10	14	14	14	14	14	14	14	14
4x4x12		5	HY	9	9	9	9	10	10	10	10	10	14	14	14	14	14	14	14	14
4x6x15		5	BASE	9	9	9	9	10	10	10	10	10	14	14	14	14	14	14	14	14
			HY	9	9	9	9	10	10	10	10	10	14	14	14	14	14	14	14	14

DISCH. SUCT.	CASE BOOR RIM	POWER SERIES	MOTOR FRAME	404TS	404T	405TS	405T	444TS	444T
4x6x15		5	C	17	17	17	18	18	18
			BASE	8	8	8	8	8	8
			HY	8	8	8	8	8	8

NOTES:
 1. DIMENSIONS IN INCHES.
 2. NOT FOR CONSTRUCTION PURPOSES UNLESS CERTIFIED.

SPACER COUPLING

TABLE 5

CASE BORE DISCH. SUCT.	POWER SERIES	MOTOR FRAME	184T	213T	215T	254T	256T	284TS	286T	286TS	284T	286TS	286T	324TS	324T	326TS	326T	364TS	364T	365TS	365T
4x4x9B	4	BASE	9	10	10	10	13	13	22	22	24	24	25	25	26	26	28	27	29	28	30
4x4x12	4	HY	9	10	10	10	13	13	22	22	24	24	25	25	26	26	28	27	29	28	30
4x4x12	5	BASE	9	10	10	10	13	13	22	22	24	24	25	25	26	26	28	27	29	28	30
4x4x12	5	HY	9	10	10	10	13	13	22	22	24	24	25	25	26	26	28	27	29	28	30
4x6x15	5	BASE	13	14	14	14	14	14	14	14	14	14	17	17	17	17	18	18	18	18	18
4x6x15	5	HY	13	14	14	14	14	14	14	14	14	14	17	17	17	17	18	18	18	18	18

CASE BORE DISCH. SUCT.	POWER SERIES	MOTOR FRAME	404TS	404T	405TS	405T	444TS	444T
4x6x15	5	BASE	18	18	18	18	18	18
4x6x15	5	HY	18	18	18	18	18	18

NOTES:
 1. ALL DIMENSIONS IN INCHES.
 2. NOT FOR CONSTRUCTION PURPOSES UNLESS CERTIFIED.