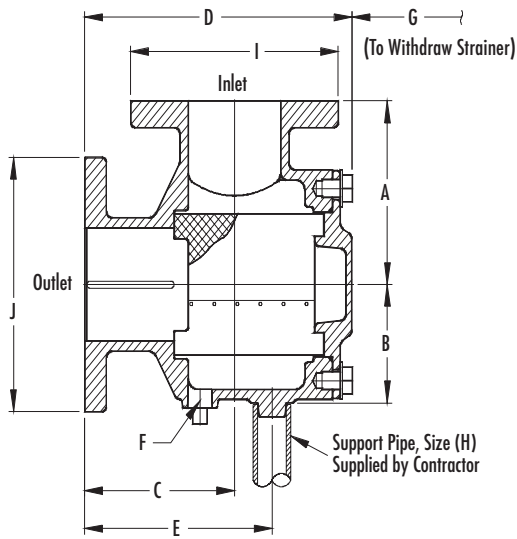


AURORA ACCESSORIES

SUCTION DIFFUSER – MODEL SD



Companion flanges not included.

Materials of Construction

Body	Cast Iron
Strainer	Stainless Steel, 0.125" (3mm) Perf.
Start-Up Strainer (remove after 1 week)	Fine Mesh Galvanized Steel
Diffuser Vanes	Cast Iron
Inlet Gauge Tapping	¼" NPT – Plugged

Maximum Operating Conditions

Maximum Working Pressure	175 psig (12 bars)
Maximum Operating Temperature	300°F (150°C)

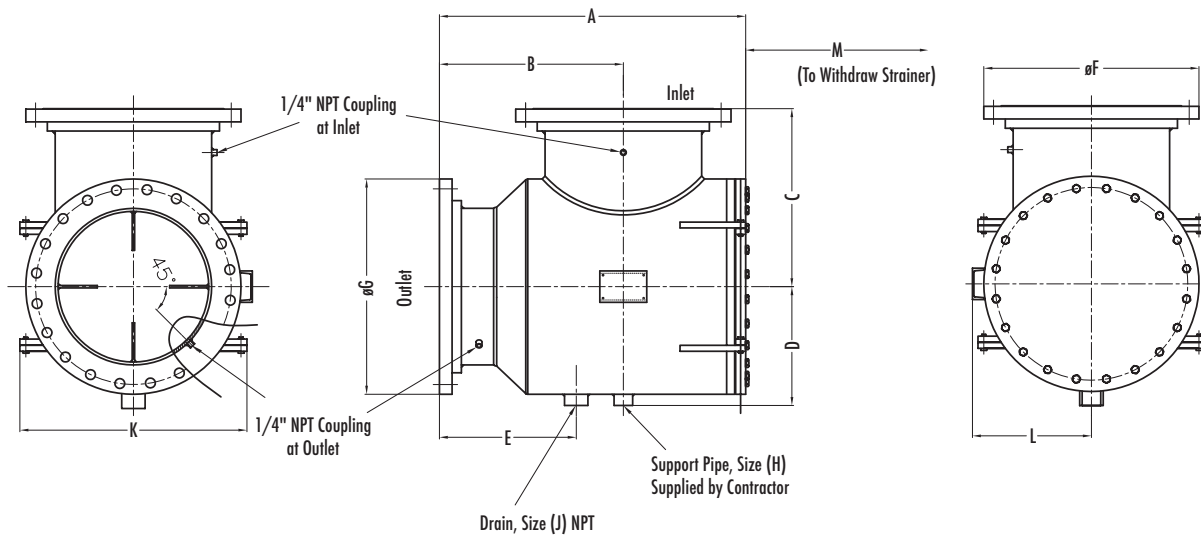
MODEL	Connection Size		Strainer Free Sq. in. (Sq. cm.)	DIMENSIONS in inches (mm)										Weight lbs. (kg)
	System	Pump		A	B	C	D	E	F	G	H	I	J	
SD0215	2 (51)	1.5 (38)	34 (222)	4.50 (114)	3.07 (78)	8.63 (219)	12.63 (321)	9.84 (250)	0.50 (13)	4.75 (121)	1.00 (25)	6.00 (152)	5.00 (127)	31 (14.1)
SD0202	2 (51)	2 (51)	34 (222)	4.50 (114)	3.07 (78)	4.50 (114)	8.50 (216)	5.71 (145)	0.50 (13)	4.75 (121)	1.00 (25)	6.00 (152)	6.00 (152)	26 (11.8)
SD2502	2.5 (64)	2 (51)	34 (222)	5.00 (127)	3.07 (78)	4.50 (114)	8.50 (216)	5.71 (145)	0.50 (13)	4.75 (121)	1.00 (25)	7.00 (178)	6.00 (152)	29 (13.2)
SD0302	3 (76)	2 (51)	34 (222)	5.50 (140)	3.07 (78)	4.50 (114)	8.50 (216)	5.71 (145)	0.50 (13)	4.75 (121)	1.00 (25)	7.50 (191)	6.00 (152)	31 (14.1)
SD2525	2.5 (64)	2.5 (64)	34 (222)	4.90 (124)	3.07 (78)	4.90 (124)	7.50 (191)	5.86 (149)	0.50 (13)	4.75 (121)	1.00 (25)	7.12 (181)	7.12 (181)	34 (15.4)
SD0325	3 (76)	2.5 (64)	34 (222)	5.50 (140)	3.07 (78)	4.90 (124)	7.50 (191)	5.86 (149)	0.50 (13)	4.75 (121)	1.00 (25)	7.50 (191)	7.12 (181)	35 (15.9)
SD0303	3 (76)	3 (76)	44 (282)	5.40 (137)	3.63 (92)	5.40 (137)	9.88 (251)	7.00 (178)	0.75 (19)	5.50 (140)	1.00 (25)	7.81 (198)	7.81 (198)	45 (20.4)
SD0403	4 (102)	3 (76)	44 (282)	6.50 (165)	3.63 (92)	5.90 (150)	10.38 (264)	7.50 (191)	0.75 (19)	5.50 (140)	1.00 (25)	9.00 (229)	7.81 (198)	53 (24.0)
SD0404	4 (102)	4 (102)	79 (511)	6.50 (165)	4.19 (106)	6.50 (165)	11.75 (298)	8.13 (206)	0.75 (19)	7.00 (178)	1.25 (32)	9.00 (229)	9.00 (229)	72 (32.7)
SD0504	5 (127)	4 (102)	79 (511)	7.44 (189)	4.19 (106)	6.50 (165)	11.75 (298)	8.13 (206)	0.75 (19)	7.00 (178)	1.25 (32)	10.00 (254)	9.00 (229)	79 (35.8)
SD0604	6 (152)	4 (102)	79 (511)	8.03 (204)	4.19 (106)	7.50 (191)	12.75 (324)	9.13 (232)	0.75 (19)	7.00 (178)	1.25 (32)	11.00 (279)	9.00 (229)	87 (39.5)
SD0505	5 (127)	5 (127)	111 (719)	7.47 (190)	4.81 (122)	7.47 (190)	13.50 (343)	9.47 (241)	1.00 (25)	8.00 (203)	1.25 (32)	10.00 (254)	10.00 (254)	99 (44.9)
SD0605	6 (152)	5 (127)	111 (719)	8.00 (203)	4.81 (122)	7.47 (190)	13.50 (343)	9.47 (241)	1.00 (25)	8.00 (203)	1.25 (32)	11.15 (283)	10.00 (254)	103 (46.7)
SD0606	6 (152)	6 (152)	120 (775)	8.00 (203)	5.71 (145)	8.00 (203)	14.75 (375)	10.19 (259)	1.00 (25)	9.25 (235)	2.00 (51)	11.15 (283)	11.15 (283)	141 (63.9)
SD0806	8 (203)	6 (152)	120 (775)	9.00 (229)	5.71 (145)	10.00 (254)	16.75 (425)	12.19 (310)	1.00 (25)	9.25 (235)	2.00 (51)	13.50 (343)	11.15 (283)	180 (81.6)
SD0808	8 (203)	8 (203)	273 (1760)	8.93 (227)	7.00 (178)	10.28 (261)	18.75 (476)	13.42 (341)	1.00 (25)	12.25 (311)	2.00 (51)	13.50 (343)	13.50 (343)	213 (96.6)
SD1008	10 (254)	8 (203)	273 (1760)	10.93 (278)	7.00 (178)	12.78 (325)	21.25 (540)	15.92 (404)	1.00 (25)	12.25 (311)	2.00 (51)	16.00 (406)	13.50 (343)	246 (111.6)
SD1010	10 (254)	10 (254)	538 (3474)	11.43 (290)	8.13 (207)	12.72 (323)	23.25 (591)	16.85 (428)	1.00 (25)	15.00 (381)	2.00 (51)	16.00 (406)	16.00 (406)	349 (158.3)
SD1210	12 (305)	10 (254)	538 (3474)	13.00 (330)	8.13 (207)	15.72 (399)	26.25 (667)	19.85 (504)	1.00 (25)	15.00 (381)	2.00 (51)	19.00 (483)	16.00 (406)	390 (176.9)
SD1212	12 (305)	12 (305)	753 (4861)	15.30 (389)	10.76 (273)	14.18 (360)	27.50 (699)	20.45 (519)	1.00 (25)	19.00 (483)	2.00 (51)	19.00 (483)	19.00 (483)	641 (290.7)
SD1412	14 (356)	12 (305)	753 (4861)	16.00 (406)	10.76 (273)	14.18 (360)	27.50 (699)	20.45 (519)	1.00 (25)	19.00 (483)	2.00 (51)	21.00 (533)	19.00 (483)	637 (288.9)
SD1414	14 (356)	14 (356)	997 (6433)	14.00 (356)	11.00 (279)	14.00 (356)	28.00 (711)	17.50 (445)	2.00 (51)	21.00 (533)	2.00 (51)	21.00 (533)	21.00 (533)	710 (322.0)
SD1614	16 (406)	14 (356)	997 (6433)	14.00 (356)	12.00 (305)	15.00 (381)	27.88 (708)	17.50 (445)	2.00 (51)	21.00 (533)	2.00 (51)	23.50 (597)	21.00 (533)	750 (340.1)

NOTES:

1. Dimensions and weights are for reference only.
2. Please allow +/- 0.25" (6mm) dimensional tolerance.
3. Contact the factory for certified dimension prints.

AURORA ACCESSORIES

LARGE FABRICATED SUCTION DIFFUSER



MODEL	Connection Size (NPS)		Strainer Free Sq. in. (Sq. cm.)	DIMENSIONS in inches (mm)												Empty Weight lbs. (kg)
	System	Pump		A	B	C	D	E	F	G	H	J	K	L	M	
SD1414	14 (350)	14 (350)	617 (3981)	31.88 (810)	18.38 (467)	16.50 (419)	11.69 (297)	13.69 (348)	21.00 (533)	21.00 (533)	2.00 (50)	1.50 (38)	21.50 (546)	11.69 (297)	25.5 (648)	600 (272.7)
SD1614	16 (400)	14 (350)	617 (3981)	31.88 (810)	18.50 (470)	16.50 (419)	11.69 (297)	13.50 (343)	23.50 (597)	21.00 (533)	2.00 (50)	1.50 (38)	21.50 (546)	11.69 (297)	25.5 (648)	625 (284.1)
SD1616	16 (400)	16 (400)	777 (5013)	33.25 (845)	19.50 (495)	19.50 (495)	13.25 (337)	14.50 (368)	23.50 (597)	23.50 (597)	2.00 (50)	1.50 (38)	24.50 (622)	13.19 (335)	27.00 (686)	750 (340.9)
SD1816	18 (450)	16 (400)	777 (5013)	33.25 (845)	19.19 (487)	19.50 (495)	13.25 (337)	14.50 (368)	25.00 (635)	23.50 (597)	2.00 (50)	1.50 (38)	24.50 (622)	13.19 (335)	27.00 (686)	790 (359.1)
SD2020	20 (500)	20 (500)	1298 (8374)	41.5 (1054)	23.50 (597)	22.50 (572)	15.50 (394)	18.50 (470)	27.50 (699)	27.50 (699)	2.00 (50)	2.00 (50)	29.00 (737)	15.44 (392)	34.00 (864)	1180 (536.4)
SD2420	24 (600)	20 (500)	1298 (8374)	41.5 (1054)	24.19 (614)	23.13 (587)	15.50 (394)	18.50 (470)	32.00 (813)	27.50 (699)	2.00 (50)	2.00 (50)	29.00 (737)	15.44 (392)	34.00 (864)	1280 (581.8)

Materials of Construction

Shell	SA-106B / SA-516-70
Reducing Cone	SA-516-70
Inlet Flange (ANSI SO Raised Face)	SA-105
Outlet Flange (ANSI SO Raised Face)	SA-105
Couplings (3000#)	SA-105
Cover Plate	SA-516-70
Strainer	SS-304
Cover Gasket	Non Asbestos Klinger SiL C-4430
Studs	SA-325

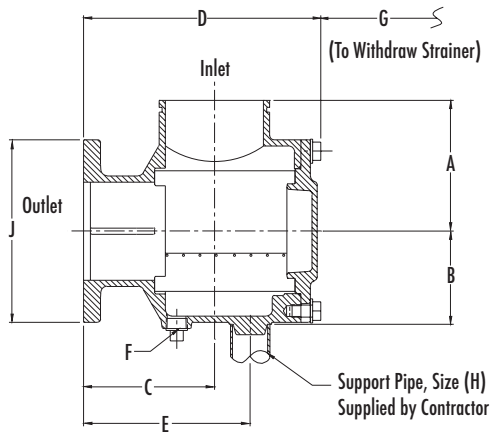
Maximum Operating Conditions

Maximum Working Pressure	175 psi
Maximum Working Temperature	300°F

NOTES:

1. Dimensions and weights are for reference only.
2. Please allow +/- 0.25" (6mm) dimensional tolerance.
3. Contact the factory for certified dimension prints.

AURORA ACCESSORIES
SUCTION DIFFUSER – MODEL SDG
GROOVED INLET – FLANGED OUTLET



Materials of Construction

Body	Ductile Iron A536 grade 65-45-12
Strainer	Stainless Steel, 0.125" (3mm) Perf.
Start-Up Strainer (remove after 24 hrs.)	Fine Mesh Galvanized Steel
Diffuser Vanes	Ductile Iron A536 grade 65-45-12
Inlet Gauge Tapping	¼" NPT – Plugged

Maximum Operating Conditions

Maximum Working Pressure	250 psig (17 bars)
Maximum Operating Temperature	300°F (150°C)

Companion flanges not included. Grooved pipe fittings are not included. Inlet groove is compatible with standard cut groove pipe fittings, such as from Anvil or Victaulic.

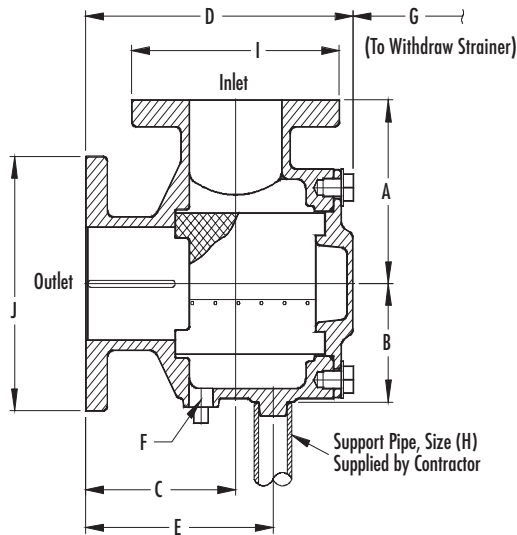
MODEL	Connection Size		Strainer Free Area Sq. in. (Sq. cm.)	DIMENSIONS in inches (mm)									Weight lbs. (kg)
	System	Pump		A	B	C	D	E	F	G	H	J	
SDG0202	2 (51)	2 (51)	34 (222)	4.50 (114)	3.07 (78)	4.50 (114)	8.50 (216)	5.71 (145)	0.50 (13)	4.75 (121)	1.00 (25)	6.00 (152)	22 (10.0)
SDG2502	2.5 (64)	2 (51)	34 (222)	5.00 (127)	3.07 (78)	4.50 (114)	8.50 (216)	5.71 (145)	0.50 (13)	4.75 (121)	1.00 (25)	6.00 (152)	22 (10.0)
SDG0302	3 (76)	2 (51)	34 (222)	5.50 (140)	3.07 (78)	4.50 (114)	8.50 (216)	5.71 (145)	0.50 (13)	4.75 (121)	1.00 (25)	6.00 (152)	23 (10.4)
SDG2525	2.5 (64)	2.5 (64)	34 (222)	4.90 (124)	3.07 (78)	4.90 (124)	7.50 (191)	5.86 (149)	0.50 (13)	4.75 (121)	1.00 (25)	7.12 (181)	27 (12.2)
SDG0325	3 (76)	2.5 (64)	34 (222)	5.50 (140)	3.07 (78)	4.90 (124)	7.50 (191)	5.86 (149)	0.50 (13)	4.75 (121)	1.00 (25)	7.12 (181)	27 (12.2)
SDG0303	3 (76)	3 (76)	44 (282)	5.40 (137)	3.63 (92)	5.40 (137)	9.88 (251)	7.00 (178)	0.75 (19)	5.50 (140)	1.00 (25)	7.81 (198)	36 (16.3)
SDG0403	4 (102)	3 (76)	44 (282)	6.50 (165)	3.63 (92)	5.90 (150)	10.38 (264)	7.50 (191)	0.75 (19)	5.50 (140)	1.00 (25)	7.81 (198)	39 (17.7)
SDG0404	4 (102)	4 (102)	79 (511)	6.50 (165)	4.19 (106)	6.50 (165)	11.75 (298)	8.13 (206)	0.75 (19)	7.00 (178)	1.25 (32)	9.00 (229)	58 (26.3)
SDG0504	5 (127)	4 (102)	79 (511)	7.44 (189)	4.19 (106)	6.50 (165)	11.75 (298)	8.13 (206)	0.75 (19)	7.00 (178)	1.25 (32)	9.00 (229)	63 (28.6)
SDG0604	6 (152)	4 (102)	79 (511)	8.03 (204)	4.19 (106)	7.50 (191)	12.75 (324)	9.13 (232)	0.75 (19)	7.00 (178)	1.25 (32)	9.00 (229)	68 (30.8)
SDG0505	5 (127)	5 (127)	111 (719)	7.47 (190)	4.81 (122)	7.47 (190)	13.50 (343)	9.47 (241)	1.00 (25)	8.00 (203)	1.25 (32)	10.00 (254)	83 (37.6)
SDG0605	6 (152)	5 (127)	111 (719)	8.00 (203)	4.81 (122)	7.47 (190)	13.50 (343)	9.47 (241)	1.00 (25)	8.00 (203)	1.25 (32)	10.00 (254)	88 (39.9)
SDG0606	6 (152)	6 (152)	120 (775)	8.00 (203)	5.71 (145)	8.00 (203)	14.75 (375)	10.19 (259)	1.00 (25)	9.25 (235)	2.00 (51)	11.15 (283)	121 (54.9)
SDG0806	8 (203)	6 (152)	120 (775)	9.00 (229)	5.71 (145)	10.00 (254)	16.75 (425)	12.19 (310)	1.00 (25)	9.25 (235)	2.00 (51)	11.15 (283)	135 (61.2)
SDG0808	8 (203)	8 (203)	273 (1760)	8.93 (227)	7.00 (178)	10.28 (261)	18.75 (476)	13.42 (341)	1.00 (25)	12.25 (311)	2.00 (51)	13.50 (343)	183 (83.0)
SDG1008	10 (254)	8 (203)	273 (1760)	10.93 (278)	7.00 (178)	12.78 (325)	21.25 (540)	15.92 (404)	1.00 (25)	12.25 (311)	2.00 (51)	13.50 (343)	205 (93.0)
SDG1010	10 (254)	10 (254)	538 (3474)	11.43 (290)	8.13 (207)	12.72 (323)	23.25 (591)	16.85 (428)	1.00 (25)	15.00 (381)	2.00 (51)	16.00 (406)	308 (139.7)
SDG1210	12 (305)	10 (254)	538 (3474)	13.00 (330)	8.13 (207)	15.72 (399)	26.25 (667)	19.85 (504)	1.00 (25)	15.00 (381)	2.00 (51)	16.00 (406)	330 (149.7)
SDG1212	12 (305)	12 (305)	753 (4861)	15.30 (389)	10.76 (273)	15.09 (383)	28.41 (722)	21.36 (543)	1.00 (25)	19.00 (483)	2.00 (51)	19.00 (483)	556 (252.2)
SDG1412	14 (356)	12 (305)	753 (4861)	16.00 (406)	10.76 (273)	15.09 (383)	28.41 (722)	21.36 (543)	1.00 (25)	19.00 (483)	2.00 (51)	19.00 (483)	597 (270.7)

NOTES:

1. Dimensions and weights are for reference only.
2. Please allow +/- 0.25" (6mm) dimensional tolerance.
3. Contact the factory for certified dimension prints.

AURORA ACCESSORIES

SUCTION DIFFUSER – MODEL SDH



Materials of Construction

Body	Ductile Iron
Strainer	Stainless Steel, 0.125" (3mm) Perf.
Start-Up Strainer (remove after 1 week)	Fine Mesh Galvanized Steel
Diffuser Vanes	Ductile Iron
Inlet Gauge Tapping	¼" NPT – Plugged

Maximum Operating Conditions

Maximum Working Pressure	250 psig (17 bars)
Maximum Operating Temperature	300°F (150°C)

Companion flanges not included.

MODEL	Connection Size		Strainer Free Sq. in. (Sq. cm.)	DIMENSIONS in inches (mm)										Weight lbs. (kg)
	System	Pump		A	B	C	D	E	F	G	H	I	J	
SDH0202	2 (50)	2 (50)	34 (222)	5.00 (127)	3.07 (78)	5.00 (127)	9.00 (229)	6.21 (158)	0.50 (13)	4.75 (121)	1.00 (25)	6.50 (165)	6.50 (165)	33 (15.0)
SDH2502	2.5 (63)	2 (50)	34 (222)	5.50 (140)	3.07 (78)	5.00 (127)	9.00 (229)	6.21 (158)	0.50 (13)	4.75 (121)	1.00 (25)	7.50 (191)	6.50 (165)	36 (16.3)
SDH0302	3 (75)	2 (50)	34 (222)	6.00 (152)	3.07 (78)	5.00 (127)	9.00 (229)	6.21 (158)	0.50 (13)	4.75 (121)	1.00 (25)	8.25 (210)	6.50 (165)	40 (18.1)
SDH2525	2.5 (63)	2.5 (63)	34 (222)	5.50 (140)	3.07 (78)	5.50 (140)	9.25 (235)	6.46 (164)	0.50 (13)	4.75 (121)	1.00 (25)	7.50 (191)	7.50 (191)	38 (17.2)
SDH0325	3 (75)	2.5 (63)	34 (222)	6.00 (152)	3.07 (78)	5.50 (140)	9.25 (235)	6.46 (164)	0.50 (13)	4.75 (121)	1.00 (25)	8.25 (210)	7.50 (191)	43 (19.5)
SDH0303	3 (75)	3 (75)	44 (282)	6.00 (152)	3.63 (92)	6.00 (152)	10.50 (267)	7.60 (193)	0.75 (19)	5.50 (140)	1.00 (25)	8.25 (210)	8.25 (210)	54 (24.5)
SDH0403	4 (100)	3 (75)	44 (282)	7.00 (178)	3.63 (92)	7.00 (178)	11.50 (292)	8.60 (218)	0.75 (19)	5.50 (140)	1.00 (25)	10.00 (254)	8.25 (210)	64 (29.0)
SDH0404	4 (100)	4 (100)	79 (511)	7.00 (178)	4.19 (106)	7.00 (178)	12.25 (311)	8.63 (219)	0.75 (19)	7.00 (178)	1.25 (32)	10.00 (254)	10.00 (254)	91 (41.3)
SDH0504	5 (125)	4 (100)	79 (511)	8.00 (203)	4.19 (106)	8.00 (203)	13.25 (337)	9.63 (245)	0.75 (19)	7.00 (178)	1.25 (32)	11.00 (279)	10.00 (254)	98 (44.4)
SDH0604	6 (150)	4 (100)	79 (511)	8.50 (216)	4.19 (106)	9.00 (229)	14.25 (362)	10.63 (219)	0.75 (19)	7.00 (178)	1.25 (32)	12.50 (318)	10.00 (254)	118 (53.5)
SDH0505	5 (125)	5 (125)	111 (719)	7.97 (202)	4.81 (122)	7.97 (202)	14.00 (356)	9.97 (253)	1.00 (25)	8.00 (203)	1.25 (32)	11.00 (279)	11.00 (279)	119 (54.0)
SDH0605	6 (150)	5 (125)	111 (719)	8.50 (216)	4.81 (122)	8.97 (228)	15.00 (381)	10.97 (279)	1.00 (25)	8.00 (203)	1.25 (32)	12.50 (318)	11.00 (279)	135 (61.2)
SDH0606	6 (150)	6 (150)	120 (775)	8.50 (216)	5.71 (145)	9.50 (241)	16.25 (413)	11.69 (297)	1.00 (25)	9.25 (235)	2.00 (51)	12.50 (318)	12.50 (318)	165 (74.8)
SDH0806	8 (200)	6 (150)	120 (775)	10.00 (254)	5.71 (145)	11.50 (292)	18.25 (464)	14.69 (373)	1.00 (25)	9.25 (235)	2.00 (51)	15.00 (381)	12.50 (318)	192 (87.1)
SDH0808	8 (200)	8 (200)	273 (1760)	10.00 (254)	7.00 (178)	11.85 (301)	21.50 (546)	14.99 (381)	1.00 (25)	12.25 (311)	2.00 (51)	15.00 (381)	15.00 (381)	268 (121.5)
SDH1008	10 (250)	8 (200)	273 (1760)	11.53 (293)	7.00 (178)	14.35 (364)	24.00 (610)	17.49 (444)	1.00 (25)	12.25 (311)	2.00 (51)	17.50 (445)	15.00 (381)	317 (143.8)
SDH1010	10 (250)	10 (250)	538 (3474)	11.50 (292)	8.13 (207)	14.29 (363)	24.75 (629)	18.35 (466)	1.00 (25)	15.00 (381)	2.00 (51)	17.50 (445)	17.50 (445)	412 (186.8)
SDH1210	12 (300)	10 (250)	538 (3474)	13.75 (349)	8.13 (207)	17.29 (439)	27.75 (705)	21.35 (542)	1.00 (25)	15.00 (381)	2.00 (51)	20.50 (521)	17.50 (445)	482 (218.6)
SDH1212	12 (300)	12 (300)	753 (4861)	16.00 (406)	10.76 (273)	15.79 (401)	29.25 (743)	22.06 (560)	1.00 (25)	19.00 (483)	2.00 (51)	20.50 (521)	20.50 (521)	731 (331.5)
SDH1412	14 (350)	12 (300)	753 (4861)	17.00 (432)	10.76 (273)	15.79 (401)	29.25 (743)	22.06 (560)	1.00 (25)	19.00 (483)	2.00 (51)	23.00 (584)	20.50 (521)	778 (352.8)

NOTES:

1. Dimensions and weights are for reference only.
2. Please allow +/- 0.25" (6mm) dimensional tolerance.
3. Contact the factory for certified dimension prints.

