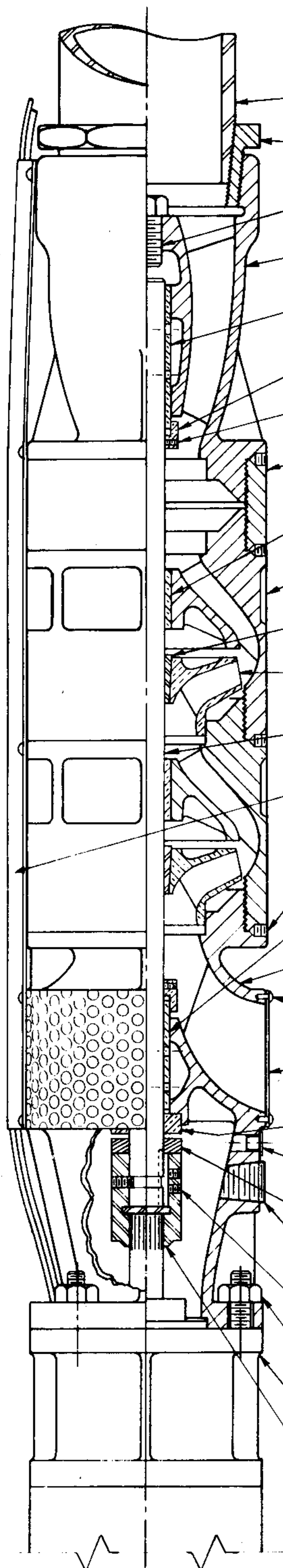




# SUBMERSIBLE PUMP

TYPICAL FOR 4" & 6"  
BOWLS WITH 4" & 6"  
SPLINED SHAFT MOTORS

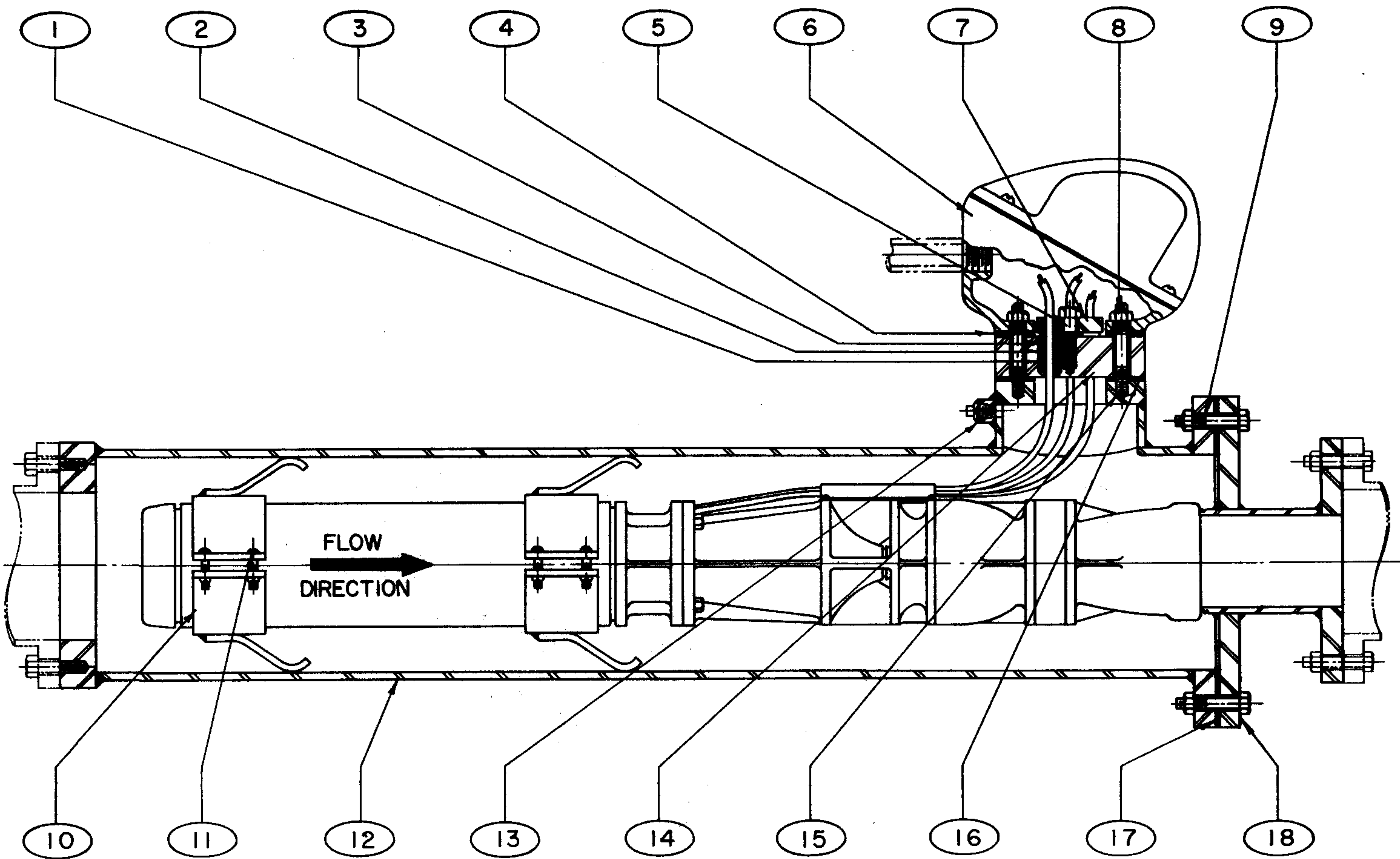


PART NAME	MATERIAL	
	STANDARD	SPECIAL
* COLUMN	STEEL	
△ HEX BUSHING	CAST IRON	
PLUG	CAST IRON	
DISCHARGE CASE	CAST IRON CLASS 30	
DISCHARGE BRG.	BRONZE	
SAND COLLAR	BRONZE	
SET SCREW	STAINLESS STEEL	
DISCHARGE CPL'G.	CAST IRON CLASS 30	
INTERMEDIATE BRG.	BRONZE	
INTERMEDIATE	CAST IRON CLASS 30	
COLLET	STAINLESS STEEL	
IMPELLER	BRONZE	
IMPELLER SHAFT	STAINLESS STEEL	
LEAD SHIELD	STEEL	
□ SET SCREW	STAINLESS STEEL	
SUCTION BRG.	BRONZE	
SUCTION ADAPTER	CAST IRON CLASS 30	
DRIVE SCREW	STAINLESS STEEL	
SUCTION SCREEN	STAINLESS STEEL	
THRUST WASHER	BRONZE	
FILTER SCREEN	BRONZE	
UPTHRUST RING	TEFLON	
PIPE PLUG	CAST IRON	
SET SCREW (3)	STAINLESS STEEL	
HEX NUT - 4" MOTOR CAPSCREW - 6" MOTOR	STAINLESS STEEL	
MOTOR		
MOTOR CPL'G.	STAINLESS STEEL	

\* NOT FURNISHED UNLESS SPECIFIED BY CUSTOMER  
 △ FURNISHED ONLY WHEN REQUIRED  
 □ NOT USED ON 4" R BOWL



# STYLE "A" IN-LINE SUBMERSIBLE



ITEM NO.	DESCRIPTION
1	SEAL
2	RETAINING WASHER
3	PRESSURE SLEEVE
4	GASKET
5	CAPSCREW
6	CONDUIT BOX
7	GLAND
8	HEX NUT
9	MACHINE BOLTS AND NUTS

ITEM NO.	DESCRIPTION
10	MOTOR CENTRALIZER
11	MACHINE BOLTS AND NUTS
12	CONTAINER PIPE
13	PIPE PLUG, AIR RELIEF
14	SEAL PLATE
15	STUD
16	GASKET
17	GASKET
18	DISCHARGE FLANGE

IN ORDERING REPLACEMENT PARTS, SPECIFY PART DESCRIPTION & PUMP SERIAL NO.