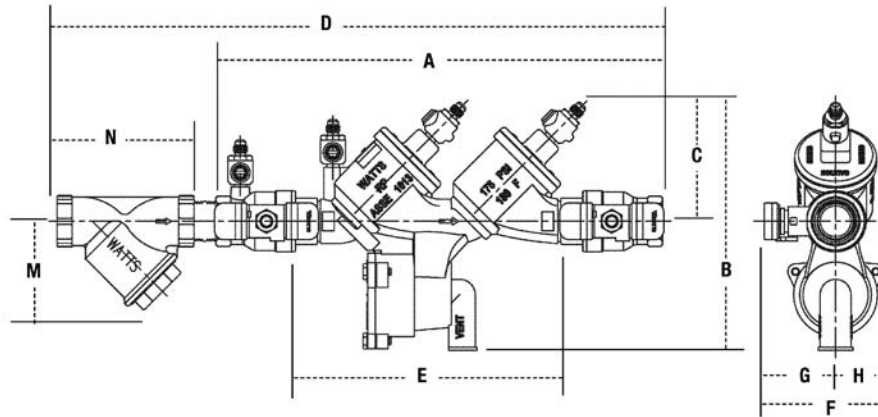


# AURORA ACCESSORIES

## WATTS REDUCED PRESSURE ZONE DOUBLE CHECK VALVE ASSEMBLY



MODEL	SIZE	A	B	C	D	E(LF)	F	G	H	M	N	WT
919QT-S	3/4" NPT	12.13 (307)	7.44 (188)	3.50 (88)	15.50 (393)	7.69 (195)	3.63 (92)	2.06 (52)	1.56 (40)	1.63 (41)	3.19 (81)	10 (4.5)
919QT-S	1" NPT	14.50 (368)	8.00 (202)	3.88 (98)	19.19 (487)	9.19 (233)	4.00 (102)	2.44 (62)	1.56 (40)	2.13 (54)	3.75 (95)	13.8 (6.3)
919QT-S	1-1/4" NPT	18.13 (461)	11.44 (290)	5.13 (129)	23.25 (591)	11.69 (297)	5.13 (130)	2.63 (67)	2.50 (64)	2.50 (64)	4.44 (113)	26.3 (11.9)
919QT-S	1-1/2" NPT	18.75 (476)	11.44 (290)	5.13 (129)	25.06 (637)	11.69 (297)	5.63 (143)	3.13 (79)	2.50 (64)	3.00 (76)	4.88 (124)	32 (14.5)
919QT-S	2" NPT	21.06 (535)	12.06 (307)	5.63 (142)	28.81 (732)	13.38 (340)	5.94 (151)	3.44 (87)	2.50 (64)	3.56 (90)	5.94 (151)	45 (20.4)

Provides protection against backsiphonage and backpressure backflow. Equipped with 1/4 turn ball valves and bronze strainer.

### NOTES:

1. All dimensions in inches (mm), lbs (kg)
2. Dimensions may vary plus minus 1/4 (6)
3. Maximum working pressure is 175 psi (12.1 Bar)
4. Temperature Range 33- 180 deg F (5-82 deg C)
5. For additional information visit [www.wattsreg.com](http://www.wattsreg.com)